

广州市奥众风机设备有限公司

CKS FangYuan Industry



DE Centrifugal Blower



国家防爆

CKS Fang Yuan Industry DE Centrifugal Blowers are designed to provide efficient and reliable operation for commercial and extractive industry. Our products are manufactured with state of the art laser, forming, spinning and welding equipment and ensure our quality control testing to ensure trouble free start-up. Our DE Centrifugal Blowers are including industry leading design features to ensure your ventilation equipment has the latest technologies available.

Main feature with DE Centrifugal Blower,,

- International energy efficiency grade 2
- Full mold, full welded structure
- Corrosion resistant, electrostatically applied and baked powder coatings
- Both belt and direct drive configurations
- Different motor brackets
- ISO9001:2000 controllable standard

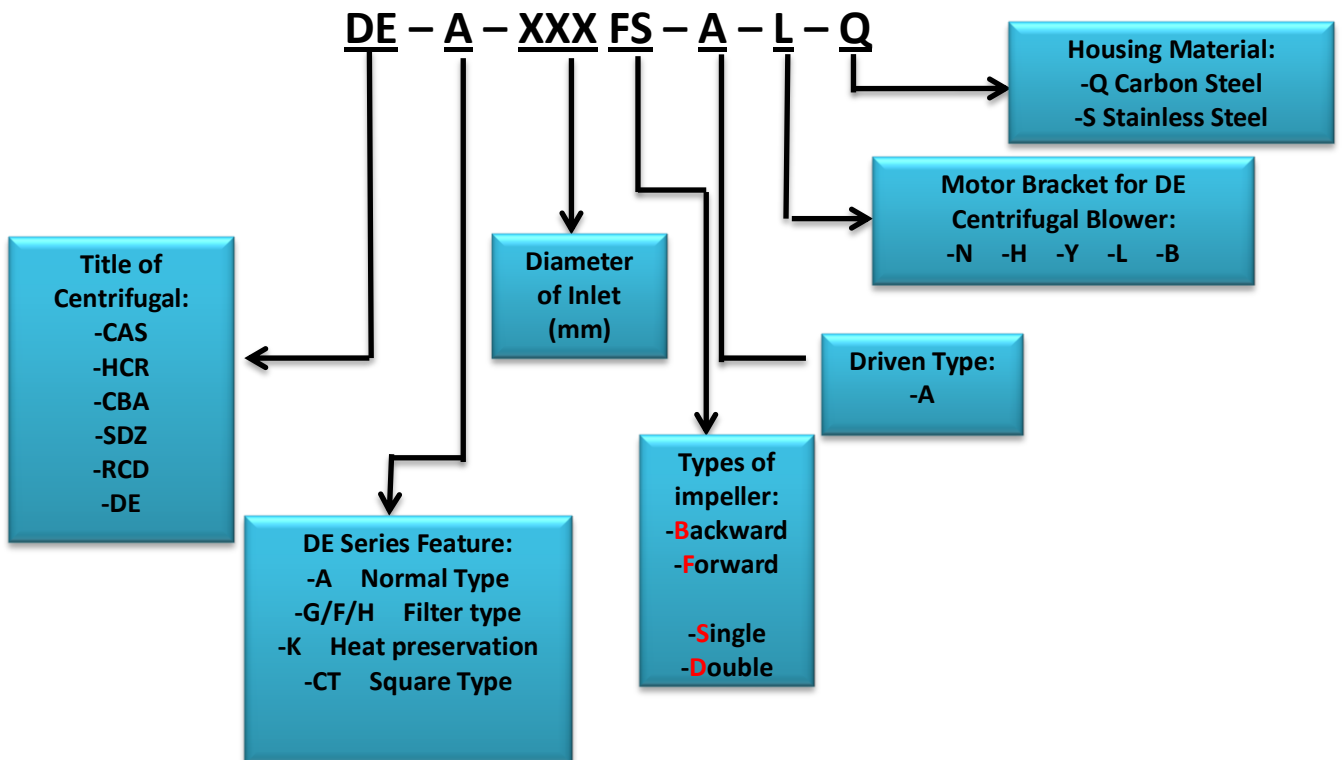


Every DE has been test for three different planes before package. Typical applications include:

- High-temperature gases emission
- Restaurant Grease Exhaust
- Explosive gases emissions
- Mechanical equipment supporting

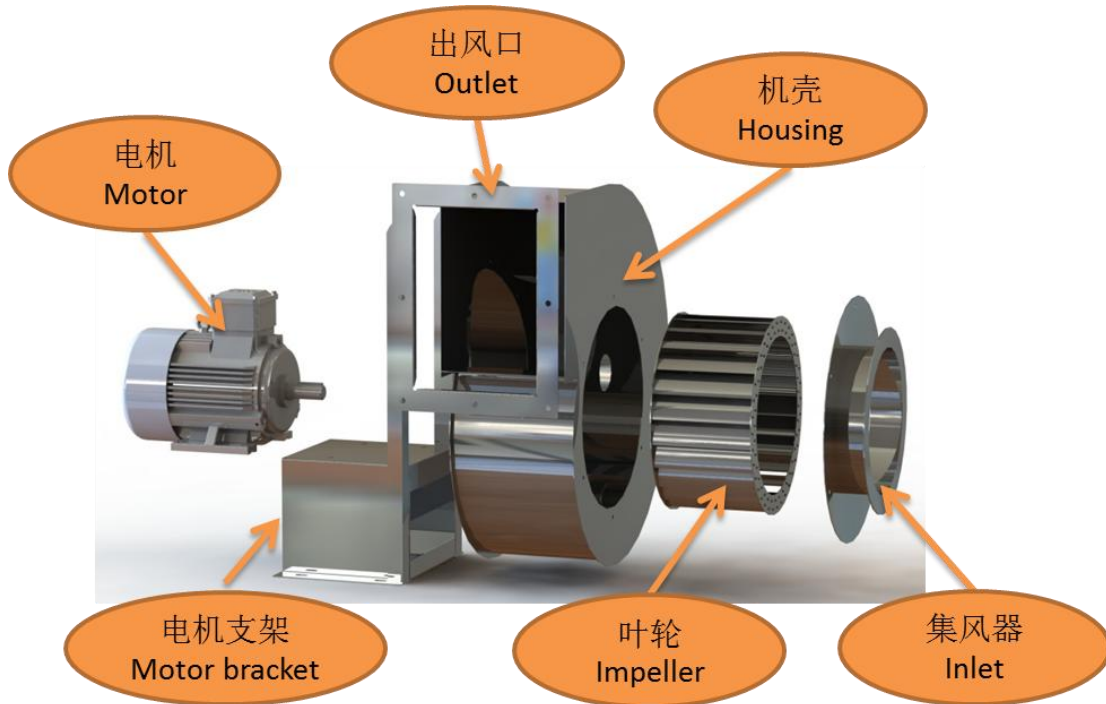
Engineers in Guangzhou AoZhong Fan Equipment Co.,LTD can assist you in improving the operational efficiency of the air movement in your system.

DE Centrifugal Blower Model Number Code:



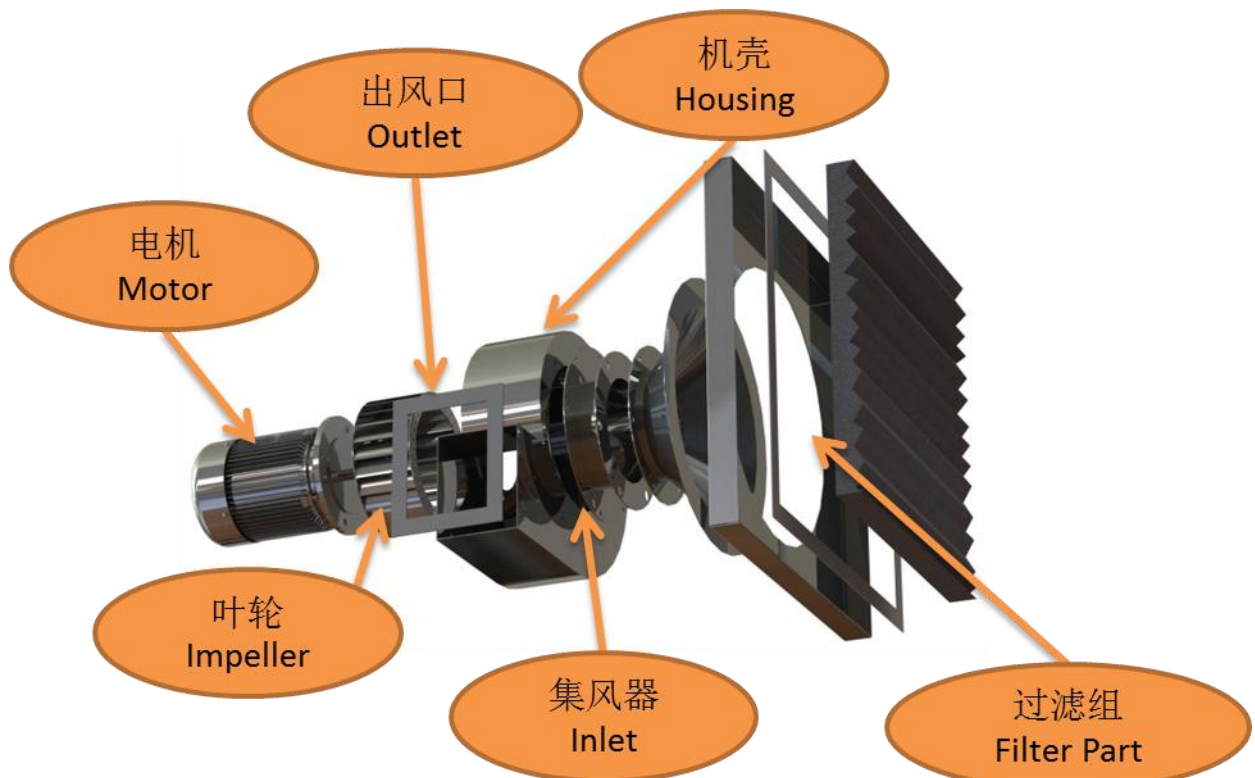
DE Construction Details

DE-A Series: Direct drive, black color means carbon steel and silver color means stainless steel; CKS Fangyuan leading design product with large air volume and medium pressure



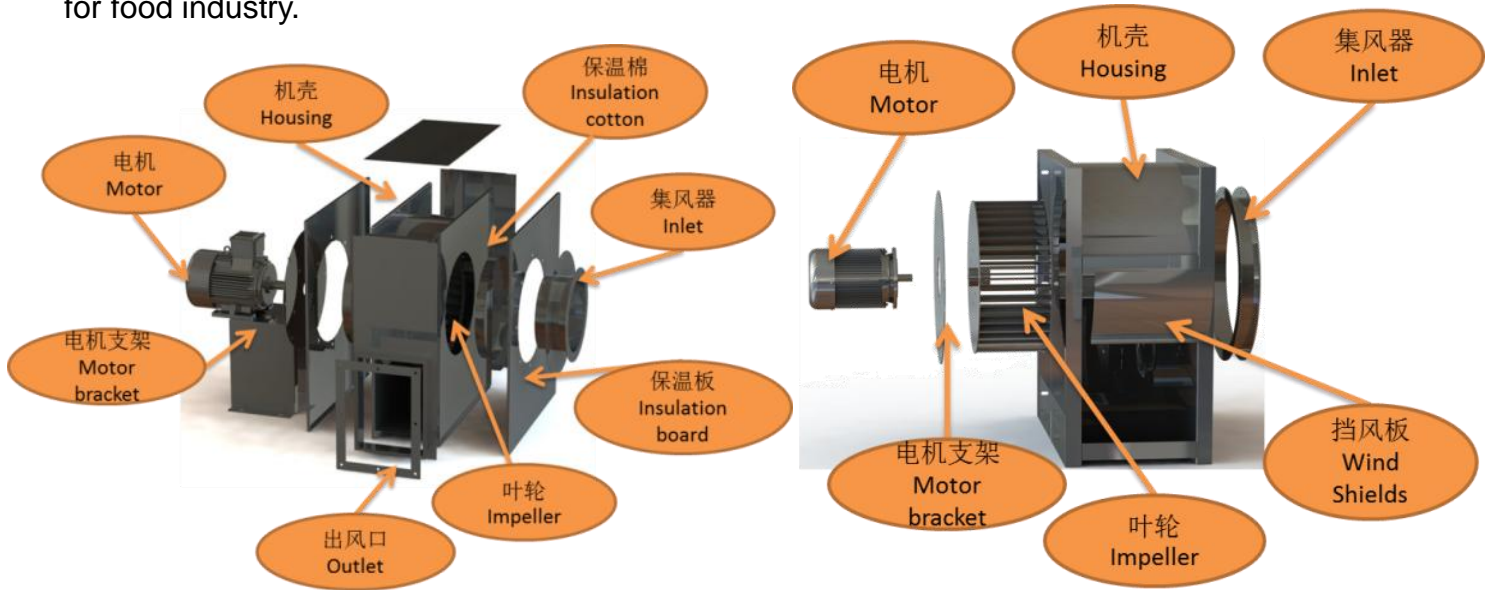
Optional for circular inlet and outlet (Max DE-R-190FS)

DE-G/GF/F Series: Direct drive, the material is stainless steel. New filtering models, is suitable for food industry, packaging industry. Optional for the circular inlet and outlet which is DE - R

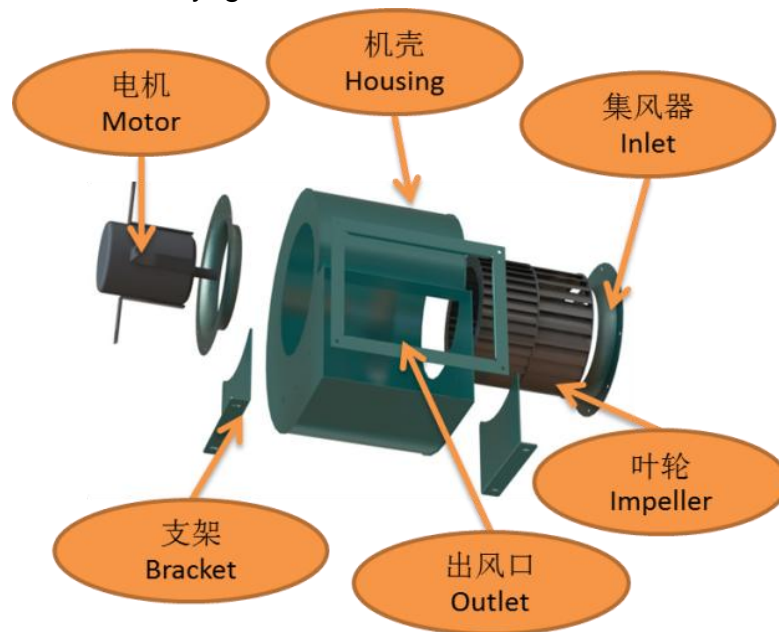


DE Centrifugal Blower

DE-K and DE-CT Series: Direct drive way, black shell for carbon steel, silver for stainless steel. DE - K series to form a complete set of machinery industry fan, heat preservation with insulation layer, suitable for coating machine industry. DE – CT is for DE series square machine series, is suitable for food industry.

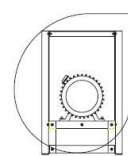


DE-A-XXXFD Series: Direct drive way, green color, the material is carbon steel. The old model is SDE.

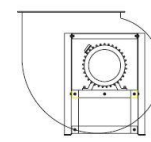


Discharge Standard

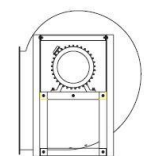
All Centrifugal Fan in CKS FangYuan Industry
 Clockwise or counterclockwise
 Non-standard outlet design also can be made



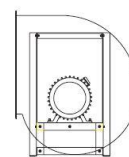
RU 180°



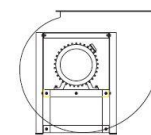
RS 90°



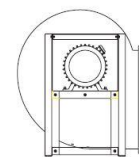
RD 0°



LU 180°

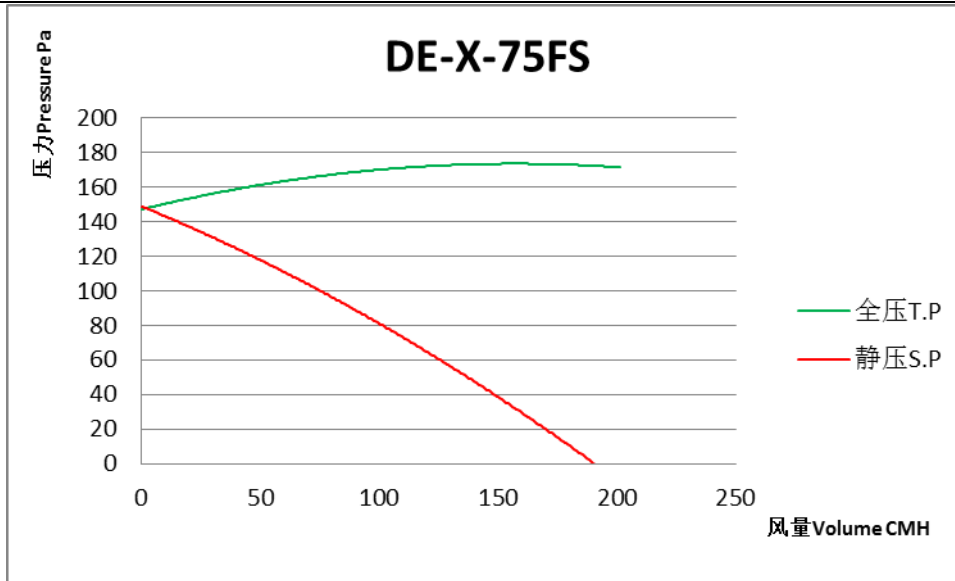


LS 90°

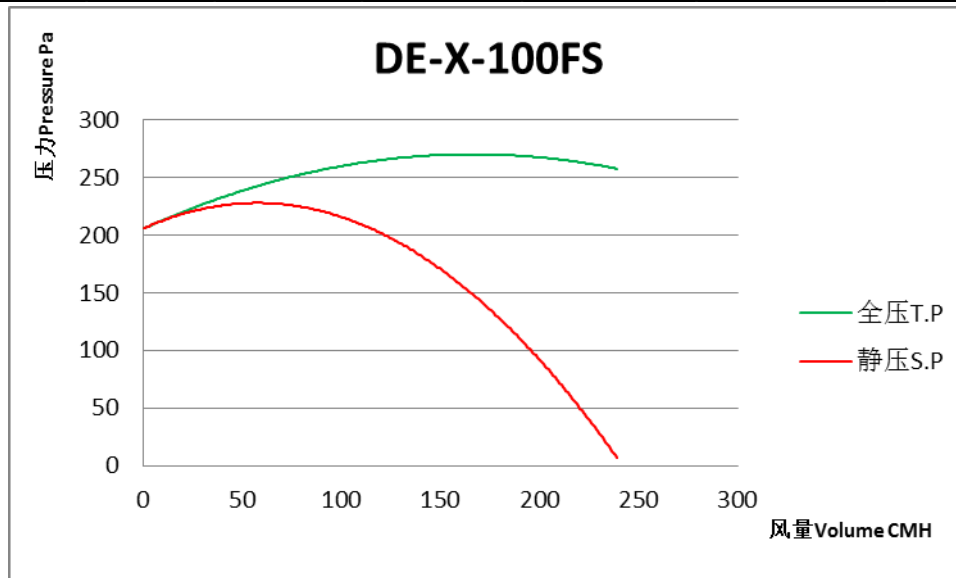


LD 0°

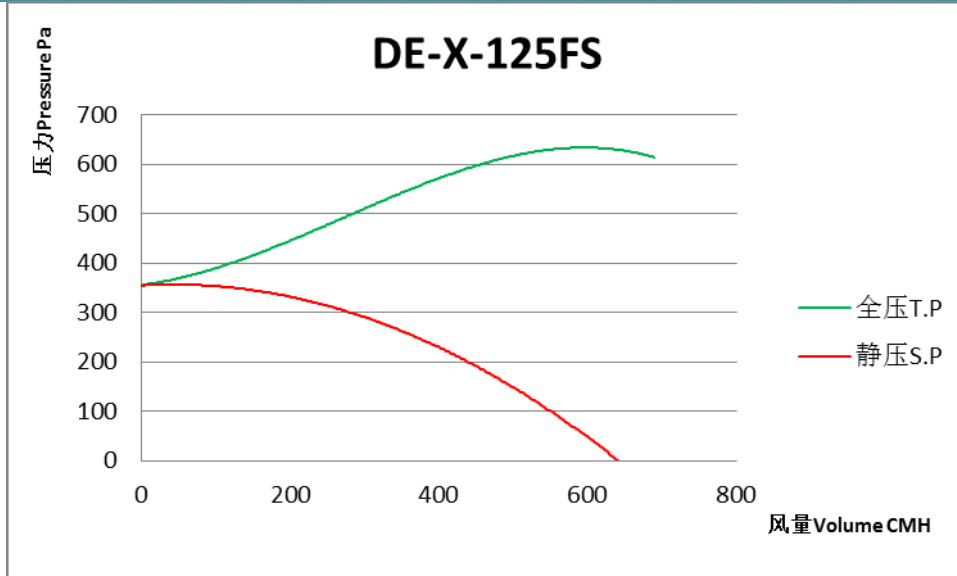
DE-A/G/K/R-XXXFS Performance Curve



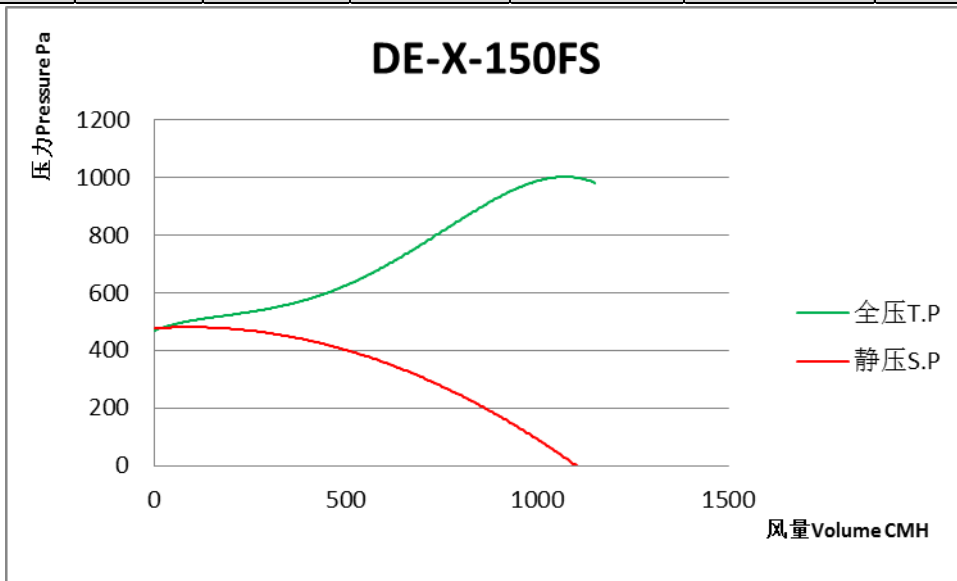
Model型号	RPM转速	Power (kw) 功率	电压 Voltage	Volume风量	Total Pressure压力	Statics Pressure静压
DE-X-75FS	2800rpm	25w	220V	201	159	1
				178	174	5
				177	181	9
				175	188	11
				173	171	12
				170	175	20
				137	161	61
				0	148	148



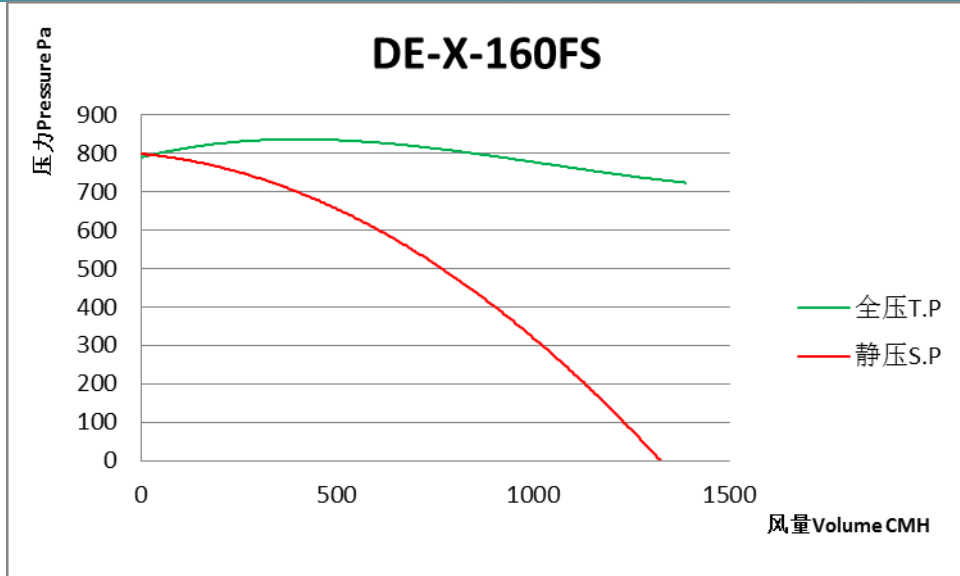
Model型号	RPM转速	Power (kw) 功率	电压 Voltage	Volume风量	Total Pressure压力	Statics Pressure静压
DE-X-100FS	2800rpm	40w	220V	239	261	10
				238	260	12
				233	254	16
				228	260	32
				194	270	104
				0	206	206



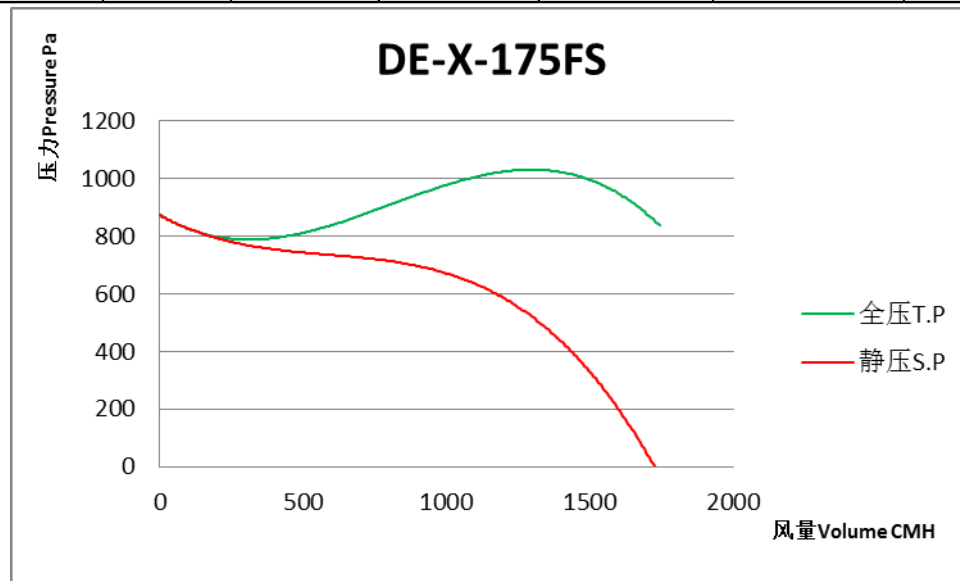
Model型号	RPM转速	Power (kw) 功率	电压 Voltage	Volume风量	Total Pressure压力	Statics Pressure静压
DE-X-125FS	2800rpm	90w	220V	609	656	9
				598	639	14
				593	636	22
				566	599	39
				560	619	71
				526	648	165
				286	478	335
				0	343	343



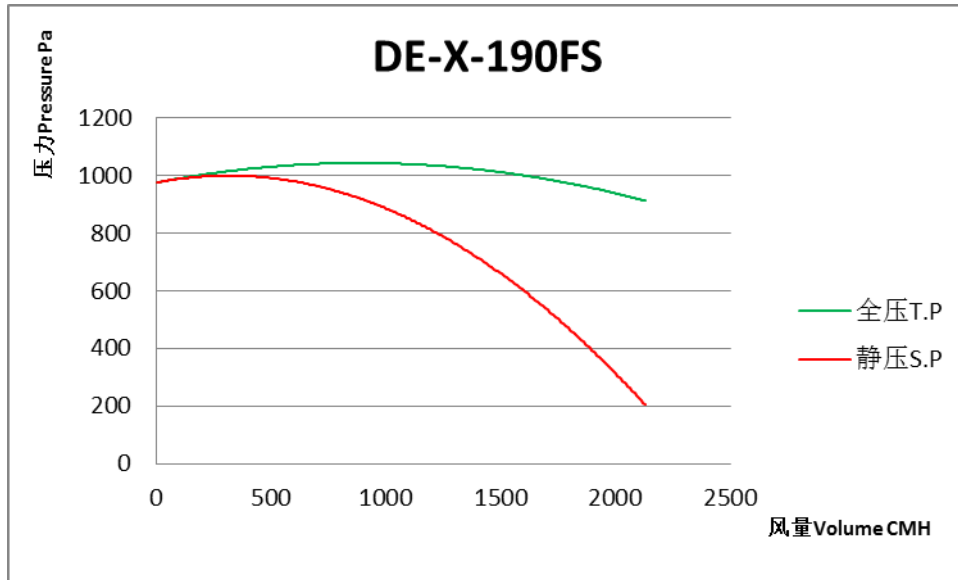
Model型号	RPM转速	Power (kw) 功率	电压 Voltage	Volume风量	Total Pressure压力	Statics Pressure静压
DE-X-150FS	2800rpm	200w	220V 380V	1056	1011	15
				1026	969	29
				1020	974	45
				979	942	86
				902	890	163
				732	828	349
				307	542	458
				0	472	472



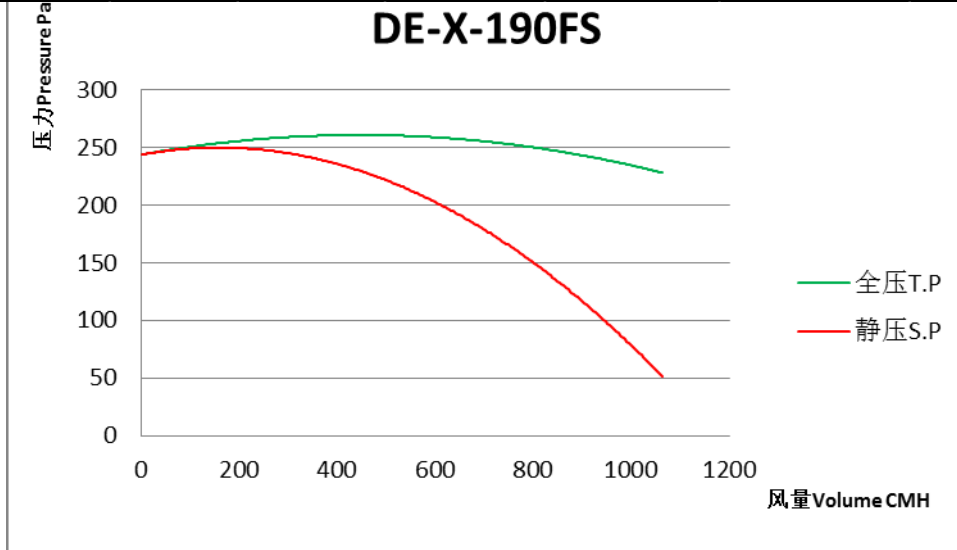
Model型号	RPM转速	Power (kw) 功率	电压 Voltage	Volume风量	Total Pressure压力	Statics Pressure静压
DE-X-160FS	2800rpm	250w	220V 380V	1389	721	1
				1312	743	22
				1252	747	49
				1228	729	56
				1205	732	85
				1131	772	201
				757	811	555
				0	790	790



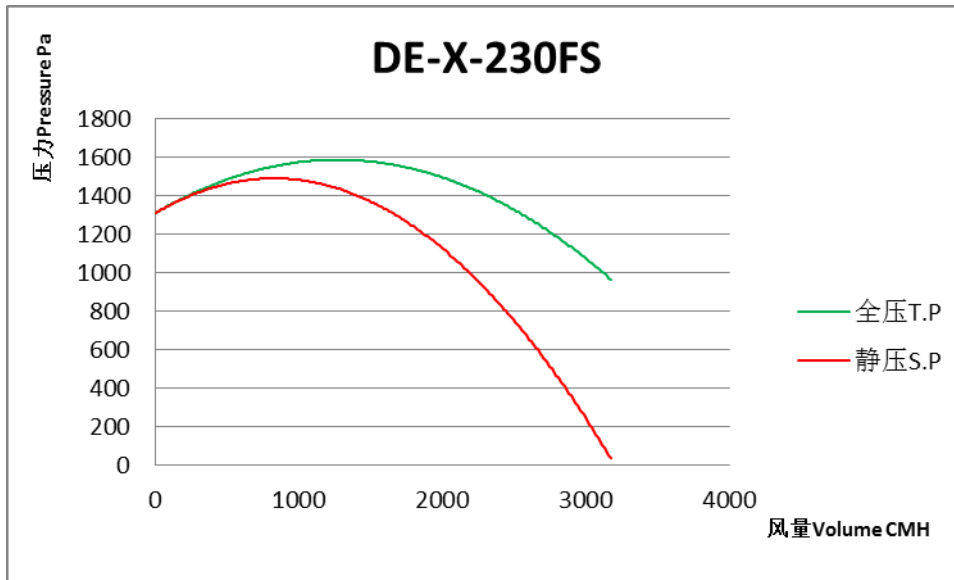
Model型号	RPM转速	Power (kw) 功率	电压 Voltage	Volume风量	Total Pressure压力	Statics Pressure静压
DE-X-175FS	2800rpm	550w	220V	1745	847	1
				1659	915	99
				1612	926	156
				1469	994	354
				1252	1036	571
				818	929	731
				391	778	733
				0	880	880



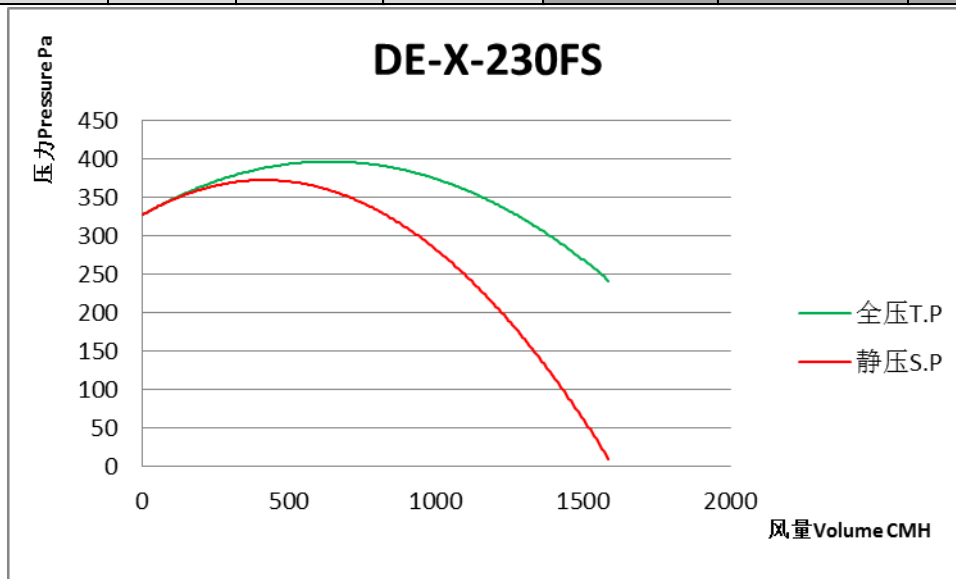
Model型号	RPM转速	Power (kw) 功率	电压 Voltage	Volume风量	Total Pressure压力	Statics Pressure静压
DE-X-190FS	2800rpm	750w	220V 380V	2128	877	170
				2114	886	188
				2045	923	270
				1781	1033	538
				1423	1113	797
				874	1000	881
				391	903	879
				0	1058	1058



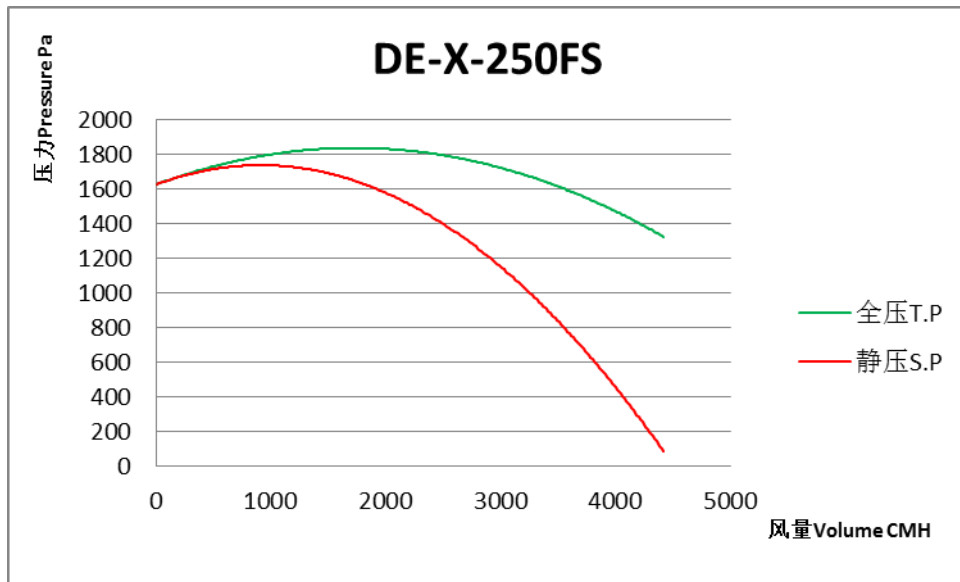
Model型号	RPM转速	Power (kw) 功率	电压 Voltage	Volume风量	Total Pressure压力	Statics Pressure静压
DE-X-190FS	1400rpm	180w	220V 380V	1064	219	43
				1057	221	47
				1023	231	68
				891	258	135
				712	278	199
				437	250	220
				196	226	220
				0	265	265



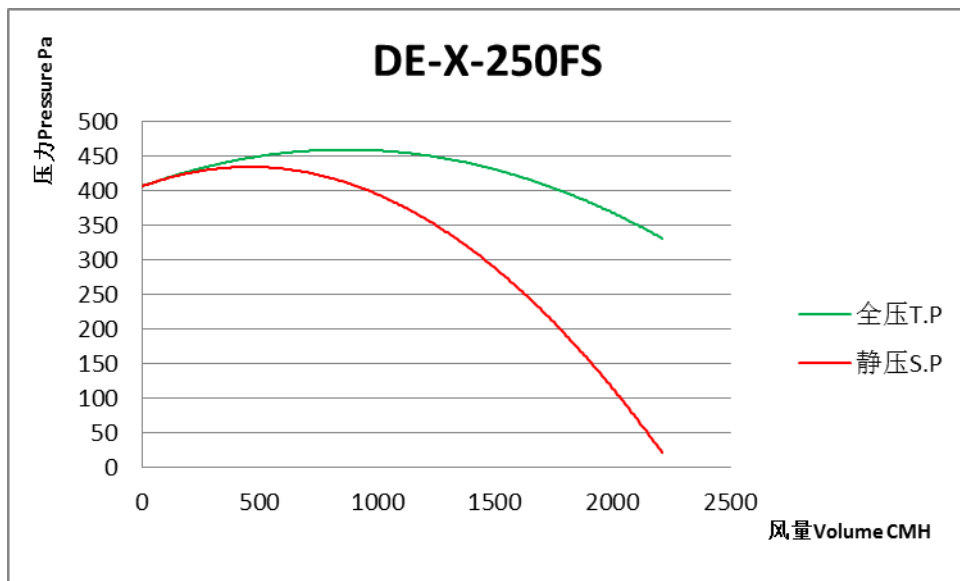
Model型号	RPM转速	Power (kw) 功率	电压 Voltage	Volume风量	Total Pressure压力	Statics Pressure静压
DE-X-230FS	2800rpm	1.5kw	220V 380V	3174	983	54
				3158	978	58
				3143	985	74
				3081	1003	127
				2952	1103	299
				2133	1462	1042
				0	1310	1310



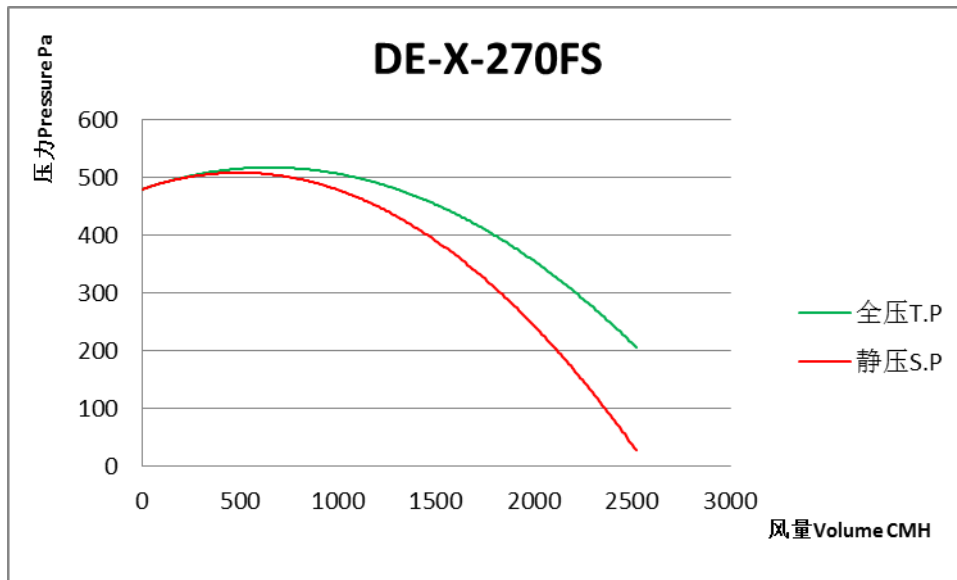
Model型号	RPM转速	Power (kw) 功率	电压 Voltage	Volume风量	Total Pressure压力	Statics Pressure静压
DE-X-230FS	1400rpm	370w	220V 380V	1587	246	14
				1579	245	15
				1571	246	19
				1540	251	32
				1476	276	75
				1067	365	261
				0	328	328



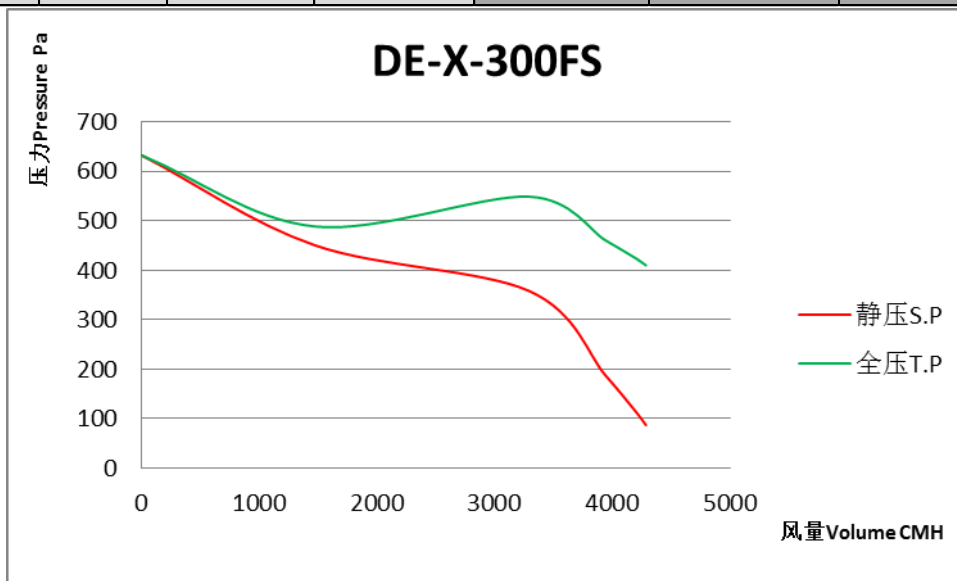
Model型号	RPM转速	Power (kw) 功率	电压 Voltage	Volume风量	Total Pressure压力	Statics Pressure静压
DE-X-250FS	2800rpm	2.2kw	220V 380V	4420	1337	96
				4376	1332	116
				4352	1347	144
				4240	1370	228
				3954	1513	520
				2500	1789	1392
				0	1628	1628



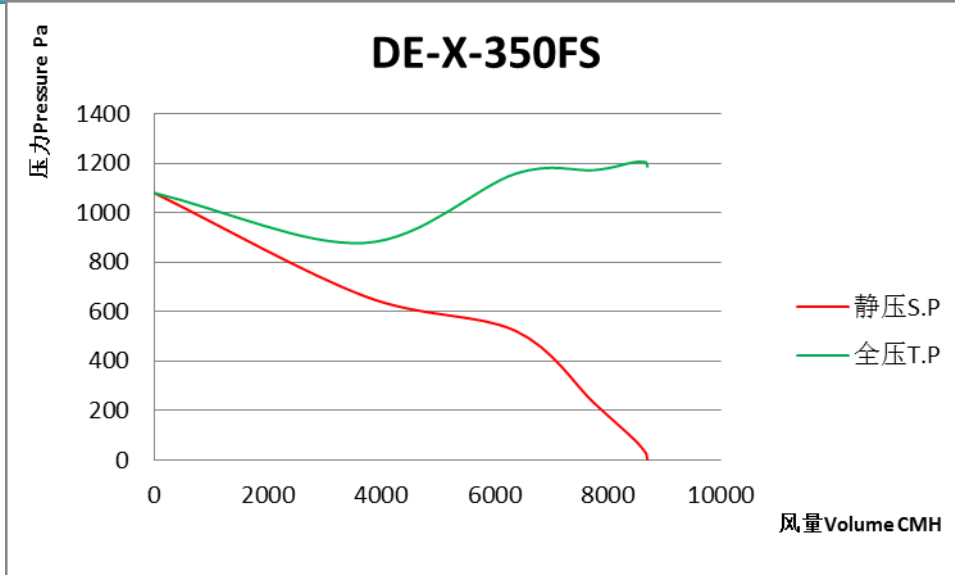
Model型号	RPM转速	Power (kw) 功率	电压 Voltage	Volume风量	Total Pressure压力	Statics Pressure静压
DE-X-250FS	1400rpm	750w	220V 380V	2210	334	24
				2188	333	29
				2176	337	36
				2120	342	57
				1977	378	130
				1250	447	348
				0	407	407



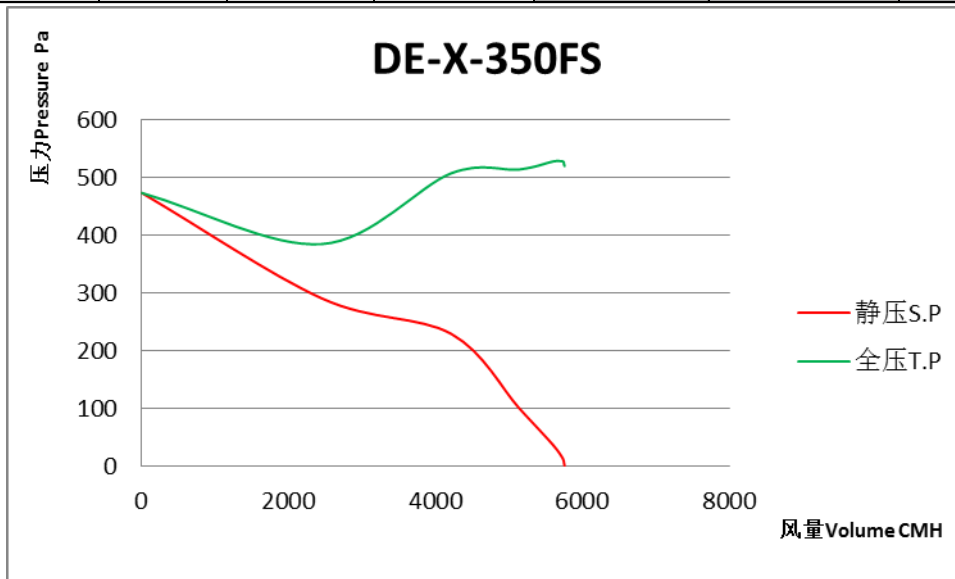
Model型号	RPM转速	Power (kw) 功率	电压 Voltage	Volume风量	Total Pressure压力	Statics Pressure静压
DE-X-270FS	1400rpm	750w	220V 380V	2520	210	31
				2500	210	34
				2480	216	43
				2421	240	75
				2188	307	172
				1398	467	412
				0	480	480



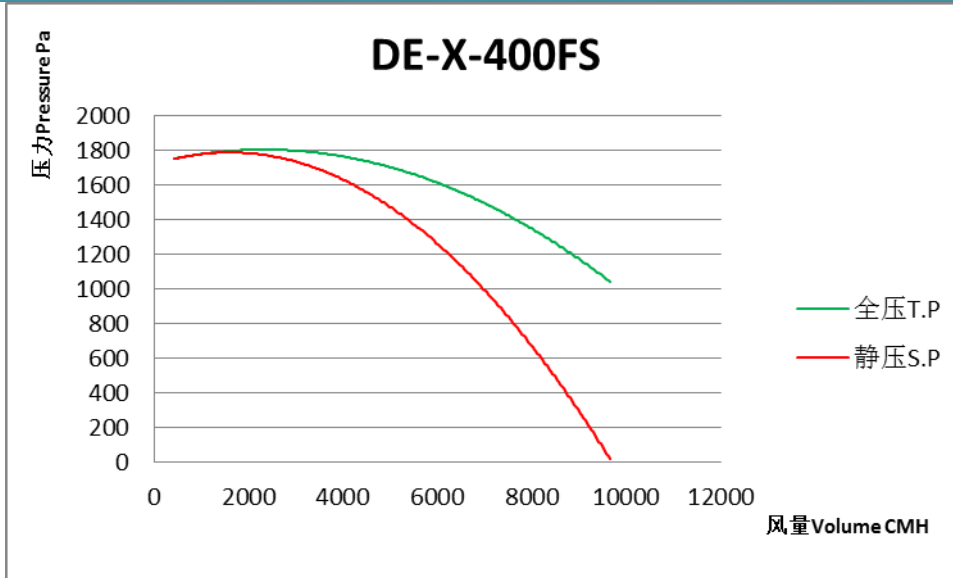
Model型号	RPM转速	Power (kw) 功率	电压 Voltage	Volume风量	Total Pressure压力	Statics Pressure静压
DE-X-300FS	1400rpm	1.5kw	220V 380V	4285	410	87
				4262	414	94
				4193	425	116
				3941	461	187
				3293	549	358
				1466	489	451
				0	632	632



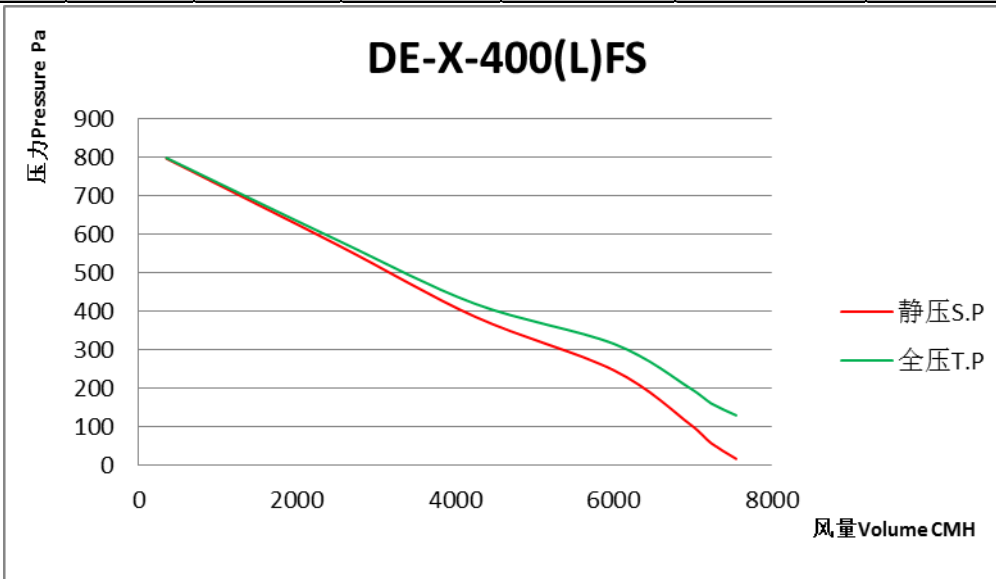
Model型号	RPM转速	Power (kw) 功率	电压 Voltage	Volume风量	Total Pressure压力	Statics Pressure静压
DE-X-350FS	1400rpm	3kw	380V	8695	1187	2
				8683	1195	13
				8660	1205	30
				8461	1205	83
				7756	1173	230
				6364	1158	523
				3693	878	664
				0	1080	1080



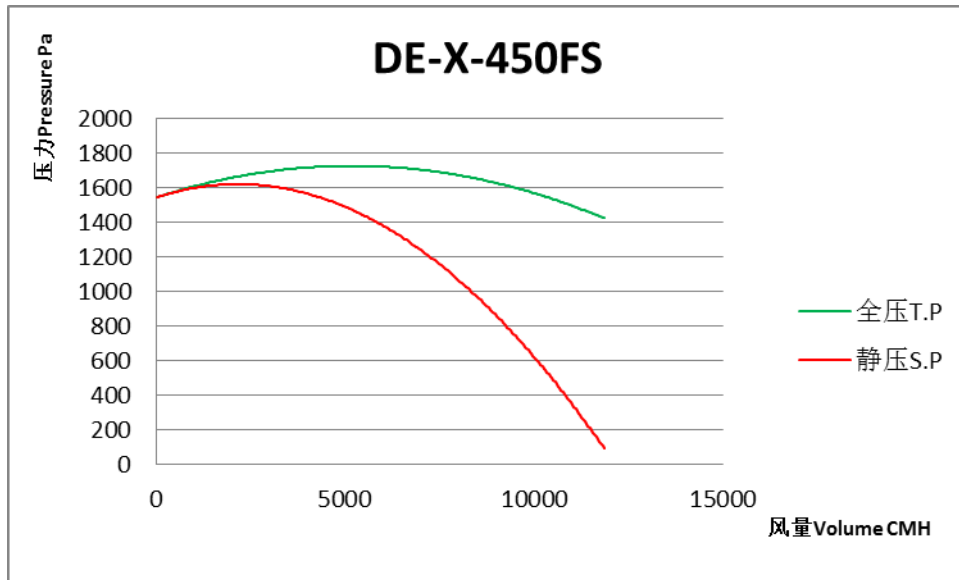
Model型号	RPM转速	Power (kw) 功率	电压 Voltage	Volume风量	Total Pressure压力	Statics Pressure静压
DE-X-350FS	920rpm	1.5kw	380V	5756	520	1
				5748	524	6
				5733	528	13
				5601	528	36
				5134	514	101
				4213	507	229
				2445	385	291
				0	473	473



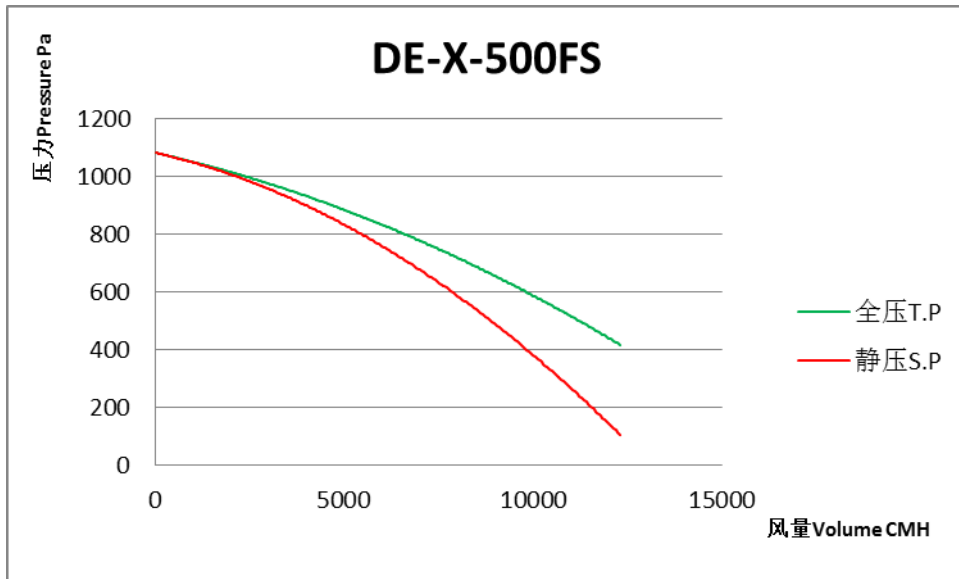
Model型号	RPM转速	Power (kw) 功率	电压 Voltage	Volume风量	Total Pressure压力	Statics Pressure静压
DE-X-400FS	1400rpm	4kw	380V	433	1755	1753
				6236	1571	1178
				7682	1404	787
				8533	1274	494
				9114	1157	253
				9394	1093	124
				9589	1047	31
				9639	1030	2



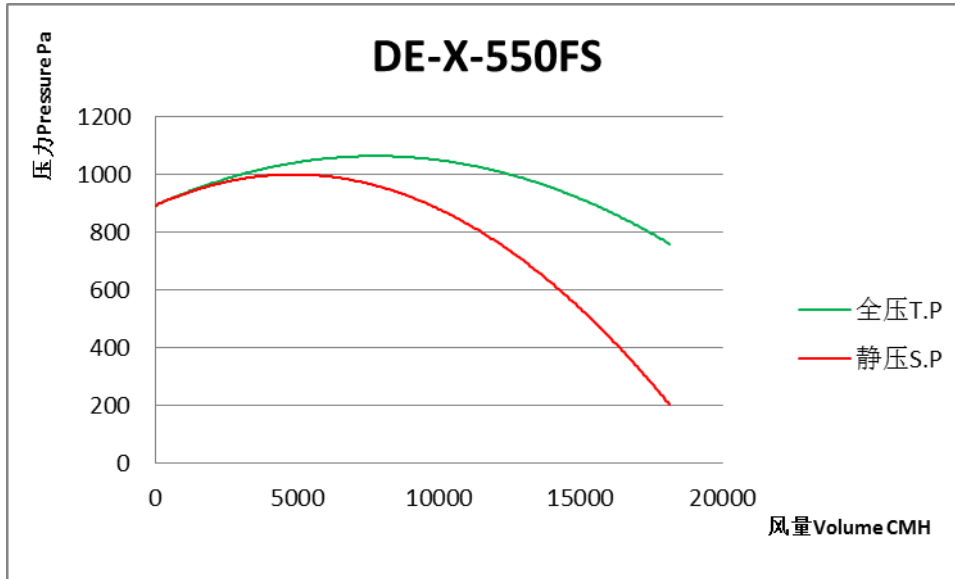
Model型号	RPM转速	Power (kw) 功率	电压 Voltage	Volume风量	Total Pressure压力	Statics Pressure静压
DE-X-400(L)FS	920rpm	3	380V	347	799	797
				2515	584	572
				4245	420	386
				6002	315	246
				6967	199	105
				7230	160	57
				7546	129	16
				7642	115	1



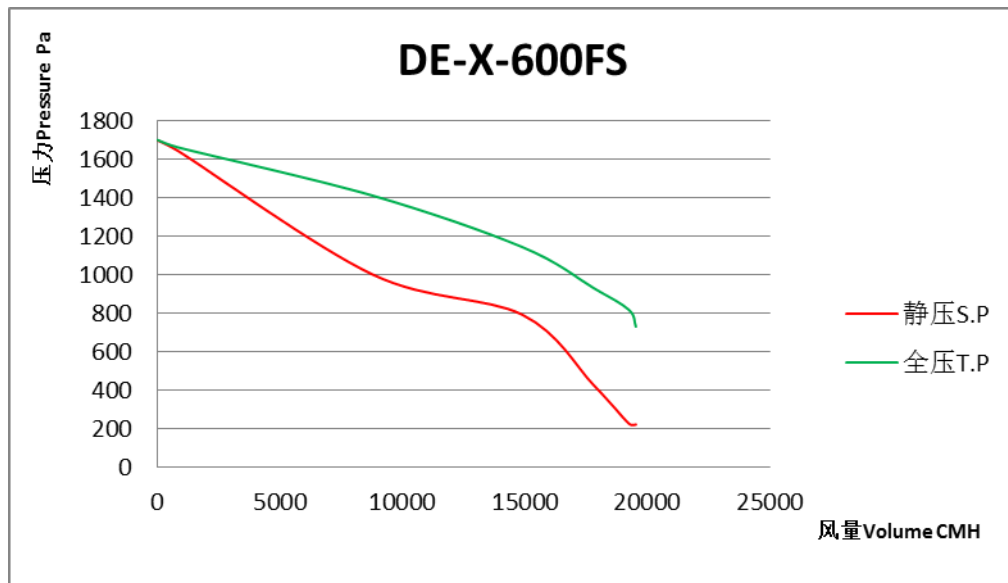
Model型号	RPM转速	Power (kw) 功率	电压 Voltage	Volume风量	Total Pressure压力	Statics Pressure静压
DE-X-450FS	1400rpm	7.5kw	380V	0	1544	1544
				9773	1584	677
				10961	1499	358
				11589	1436	161
				11812	1431	106
				11844	1428	96



Model型号	RPM转速	Power (kw) 功率	电压 Voltage	Volume风量	Total Pressure压力	Statics Pressure静压
DE-X-500FS	920rpm	4kw 5.5kw	380V	0	1082	1082
				8809	670	510
				10473	545	319
				11969	459	163
				12216	417	109
				12307	410	97

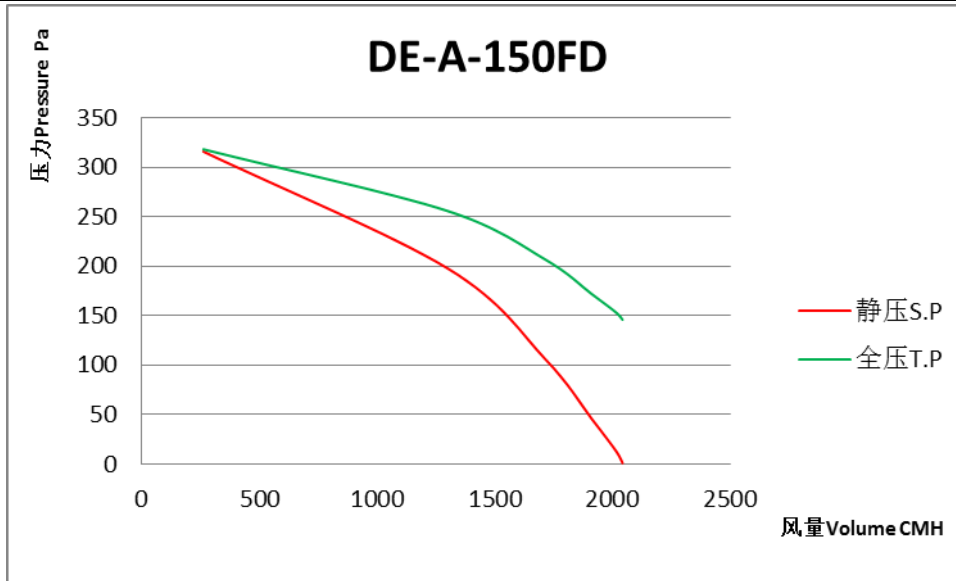


Model型号	RPM转速	Power (kw) 功率	电压 Voltage	Volume风量	Total Pressure压力	Statics Pressure静压
DE-X-550FS	920rpm	7.5kw	380V	0	895	895
				11329	1012	793
				14659	957	592
				16905	819	334
				17808	764	226
				18119	765	207

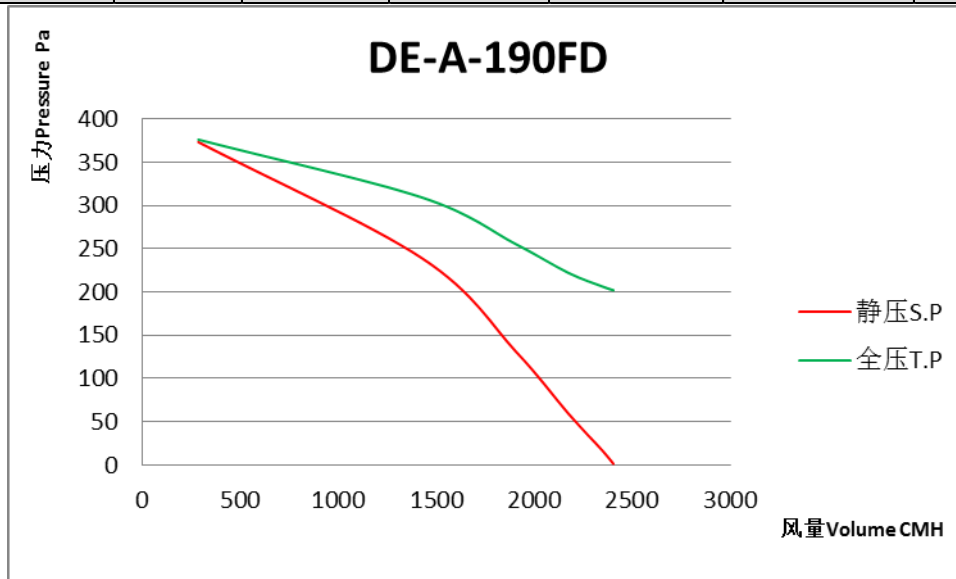


Model型号	RPM转速	Power (kw) 功率	电压 Voltage	Volume风量	Total Pressure压力	Statics Pressure静压
DE-X-600FS	920rpm	11	380V	0	1701	1700
				853	1662	1643
				8765	1412	1002
				14888	1144	792
				17794	931	426
				19238	817	225
				19514	730	221
				20099	690	43

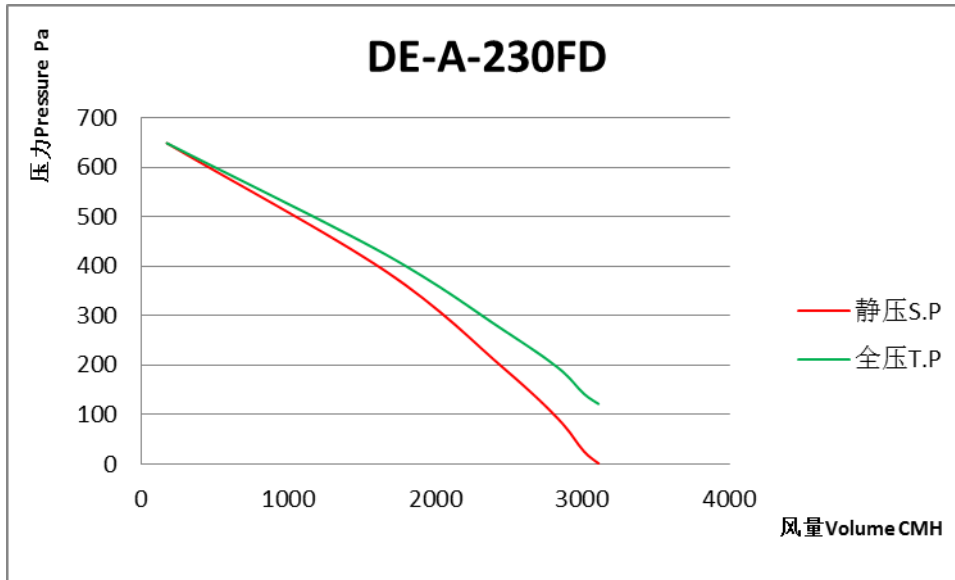
DE-A-XXXFD Performance Curve



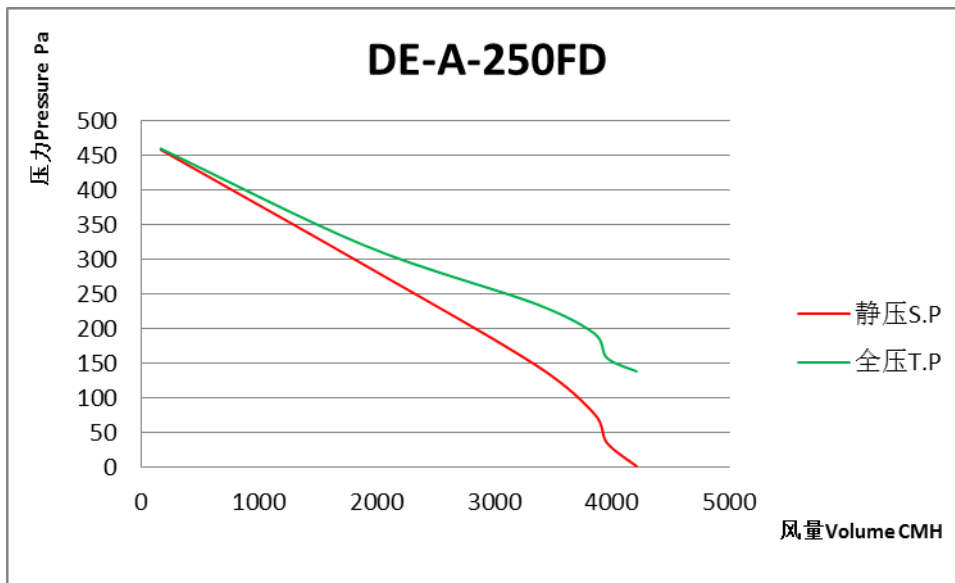
Model型号	RPM转速	Power (kw) 功率	电压 Voltage	Volume风量	Total Pressure压力	Statics Pressure静压
DE-A-150FD	1400rpm	110w	220V 380V	260	318	316
				1298	256	198
				1715	207	106
				1911	172	46
				2019	153	12
				2043	146	1



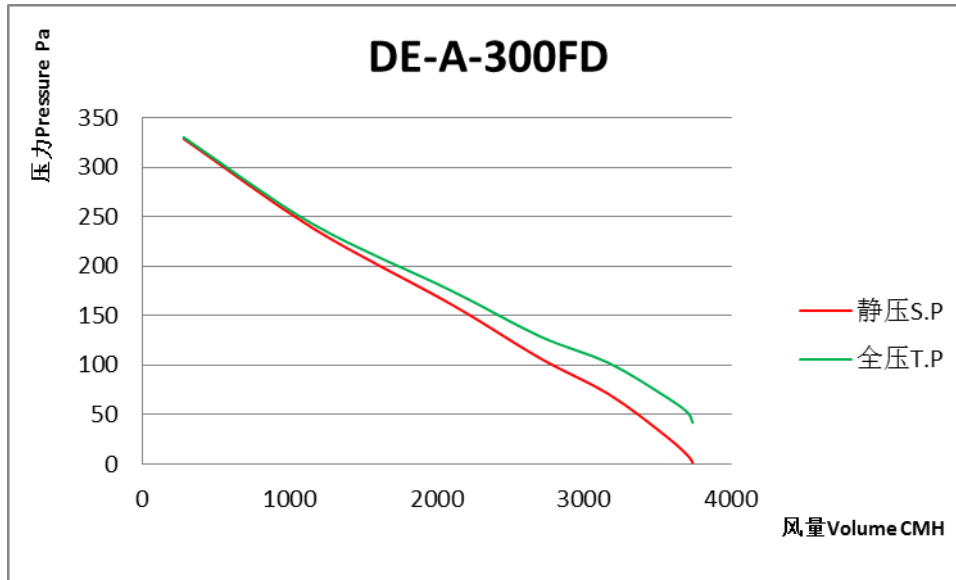
Model型号	RPM转速	Power (kw) 功率	电压 Voltage	Volume风量	Total Pressure压力	Statics Pressure静压
DE-A-190FD	1400rpm	420w	220V 380V	283	376	373
				1426	309	239
				1905	255	131
				2172	222	60
				2347	206	17
				2403	202	1



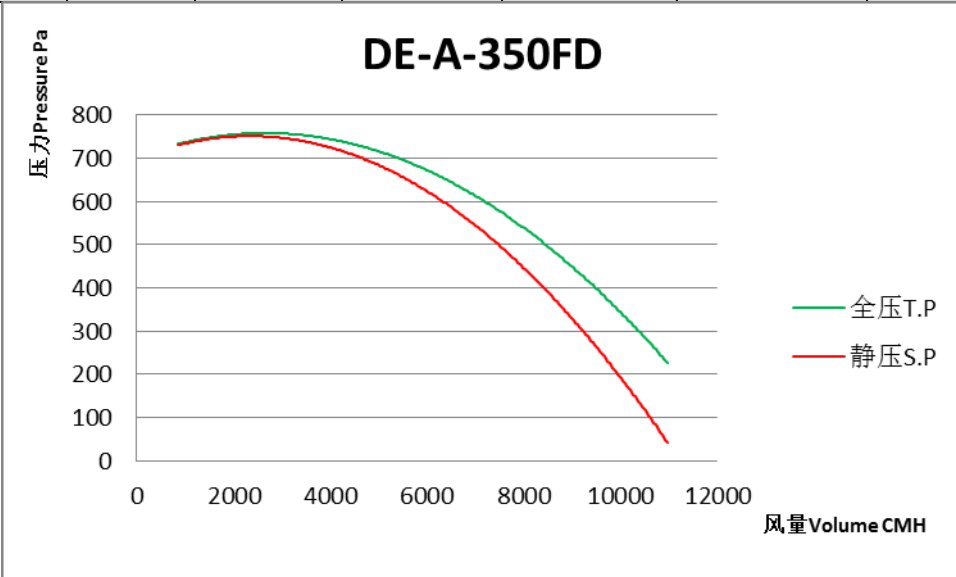
Model型号	RPM转速	Power (kw) 功率	电压 Voltage	Volume风量	Total Pressure压力	Statics Pressure静压
DE-A-230FD	1400rpm	450w	220V 380V	170	649	649
				1657	424	391
				2470	269	192
				2833	195	92
				3009	142	26
				3109	122	1



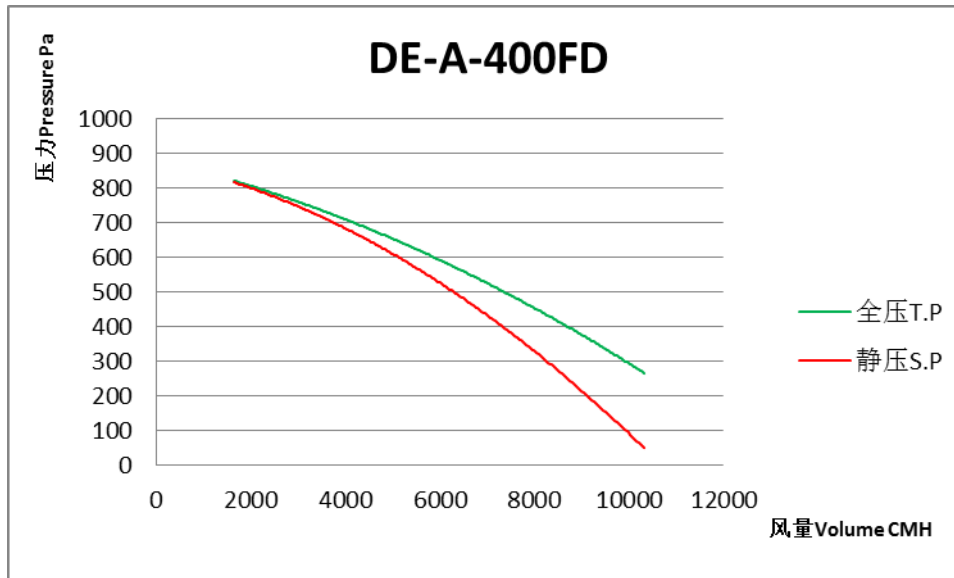
Model型号	RPM转速	Power (kw) 功率	电压 Voltage	Volume风量	Total Pressure压力	Statics Pressure静压
DE-A-250FD	1400rpm	1.1kw	380V	160	460	458
				1884	321	293
				3356	236	147
				3851	193	77
				3958	158	35
				4210	138	1



Model型号	RPM转速	Power (kw) 功率	电压 Voltage	Volume风量	Total Pressure压力	Statics Pressure静压
DE-A-300FD	960rpm	1.1kw	380V	276	330	329
				1154	243	239
				2100	175	161
				2696	129	107
				3165	102	71
				3544	69	30
				3700	53	9
				3740	42	1



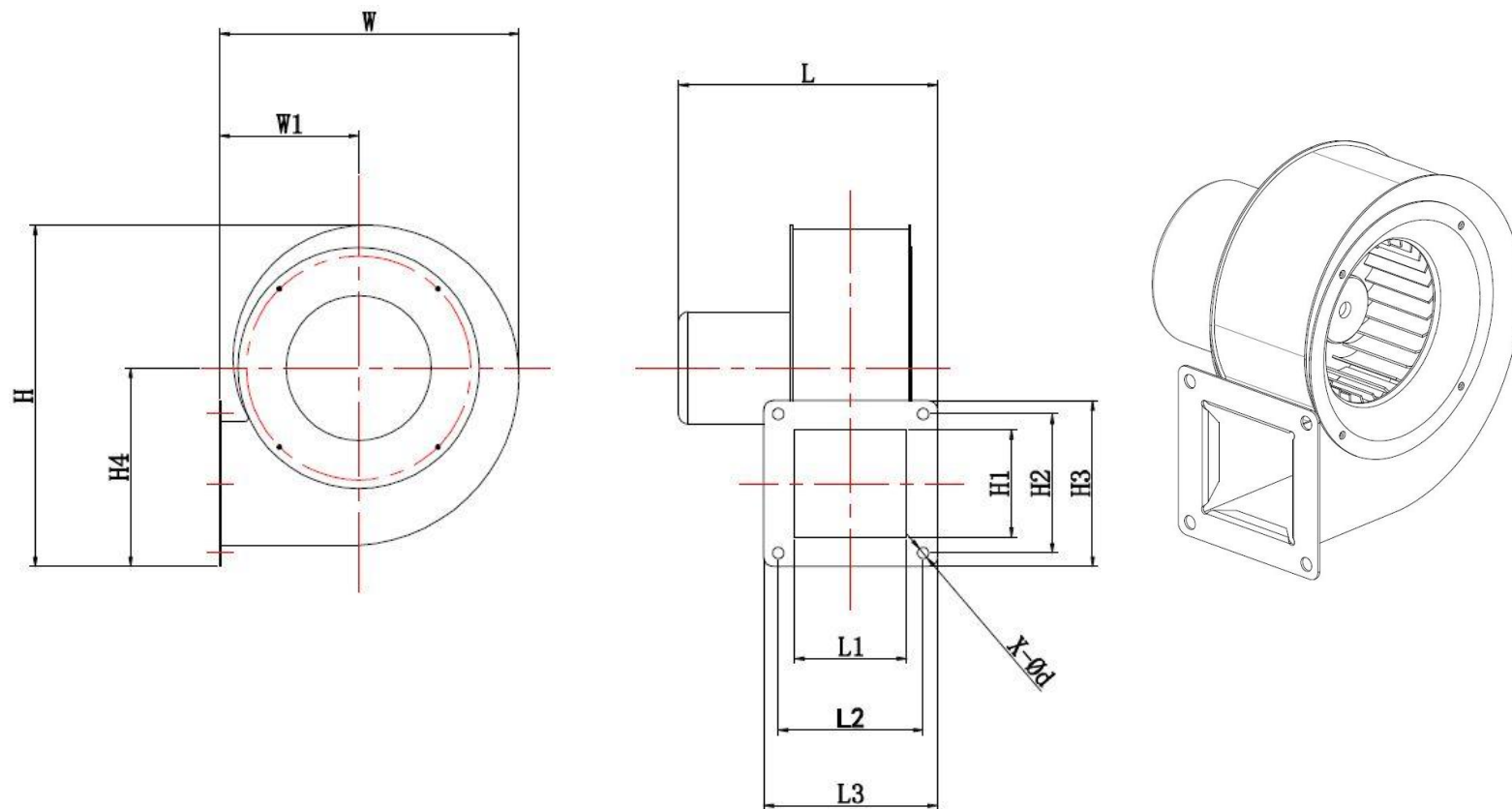
Model型号	RPM转速	Power (kw) 功率	电压 Voltage	Volume风量	Total Pressure压力	Statics Pressure静压
DE-A-350FD	960rpm	1.5kw	380V	840	752	749
				5175	638	602
				9010	517	399
				9193	475	350
				9564	416	279
				9935	335	186
				10471	261	92
				10965	185	1



Model型号	RPM转速	Power (kw) 功率	电压 Voltage	Volume风量	Total Pressure压力	Statics Pressure静压
DE-A-400FD	960rpm	3kw	380V	1637	898	894
				1774	781	777
				3813	629	604
				7045	558	464
				8153	475	346
				9209	388	221
				9924	289	89
				10325	227	8

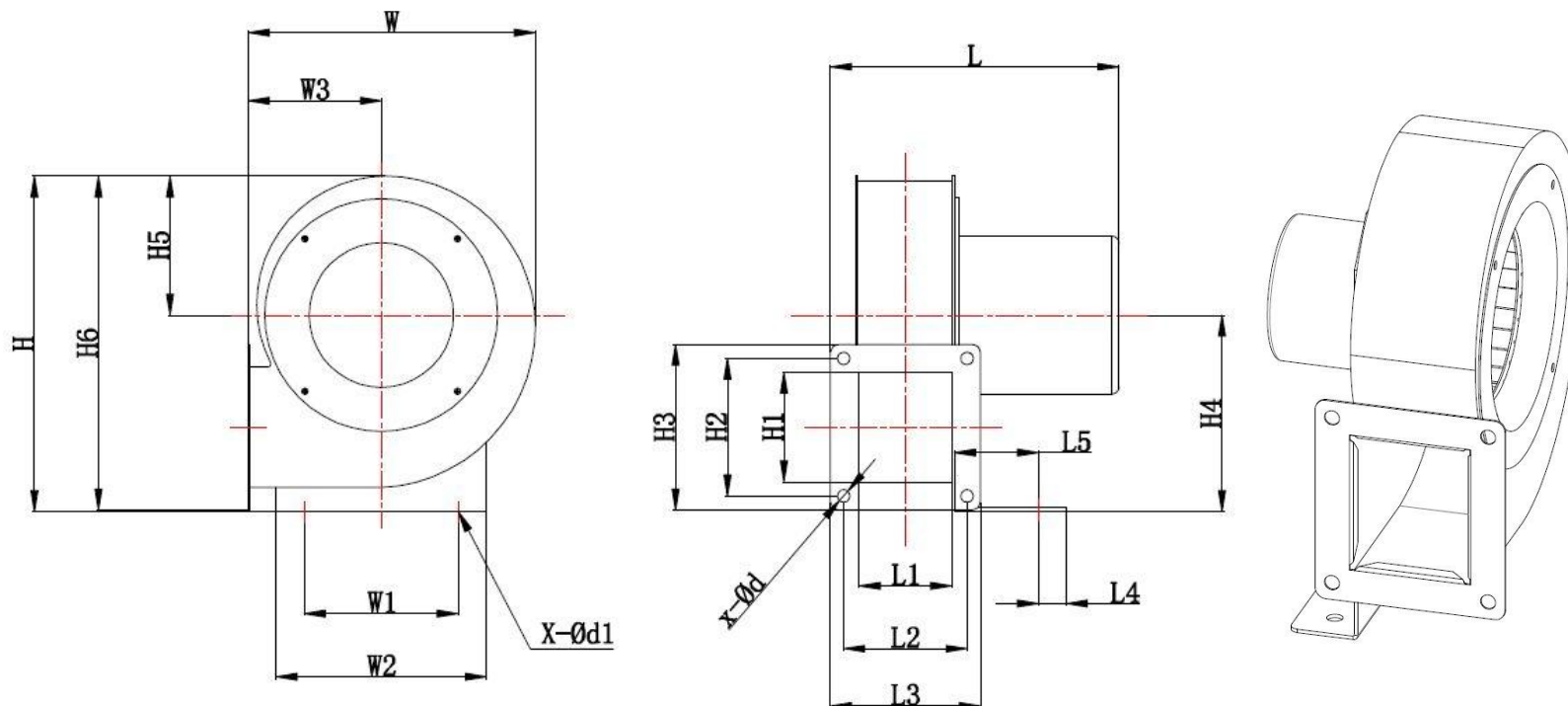
CKS Industry Technology has the right to change the engineering data, design and dimension without prior notice.

DE-A-XXXFS-A-N-X Dimension (75-100)



型号Model	W	W1	H	L	中心高Central High (H4)			L1	L2	L3	H1	H2	H3	X-0d
					0°	90°	180°							
DE-A-75FS-A-N-X	132	62	145	142	87			59	66	80	50	66	80	4-06
DE-A-100FS-A-N-X	158	74	180	150	110			57	75	90	56	72	86	4-06

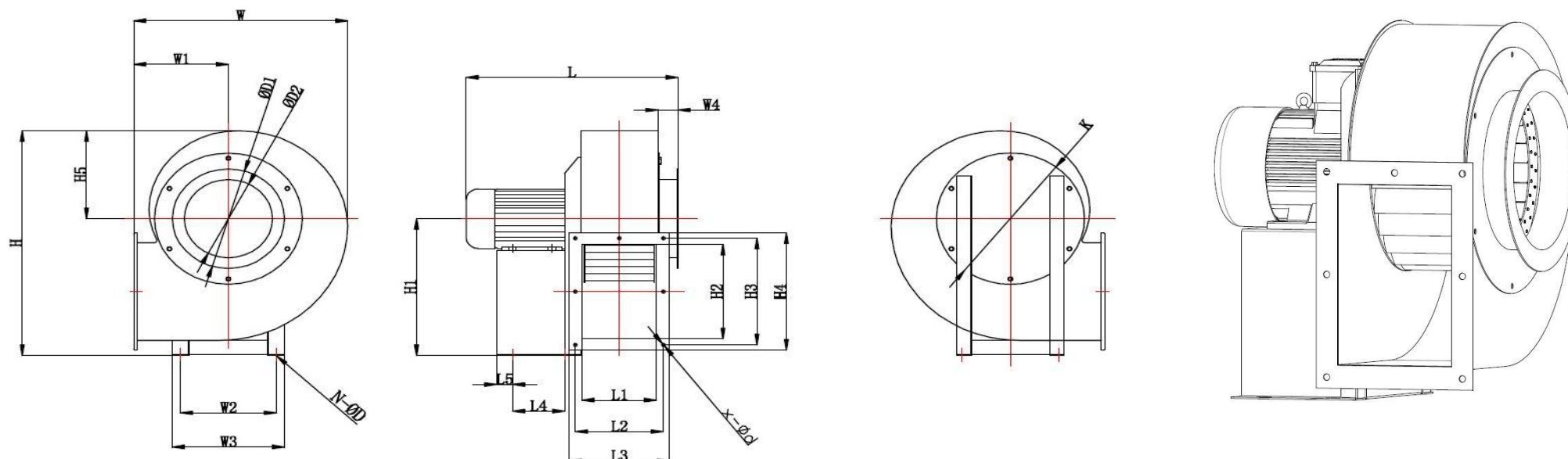
DE-A-XXXFS-A-Y-X Dimension (125-150)



型号Model					中心高Central High(H4)								
	W	W3	H	H5	0°	90°	180°	H6	W1	W2	L	L1	L2
DE-A-125FS-A-Y-X	206	95	231	99	132			263	110	150	212	66	88
DE-A-150FS-A-Y-X	206	95	231	99	132			274	110	150	232	90	110

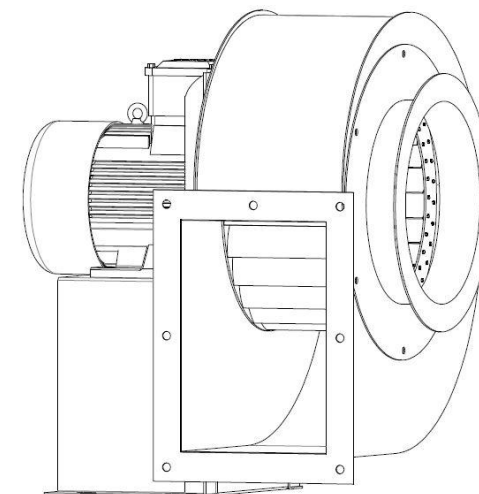
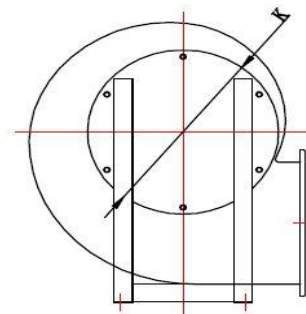
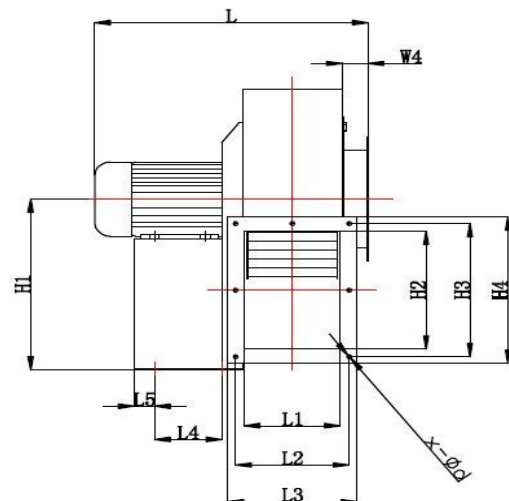
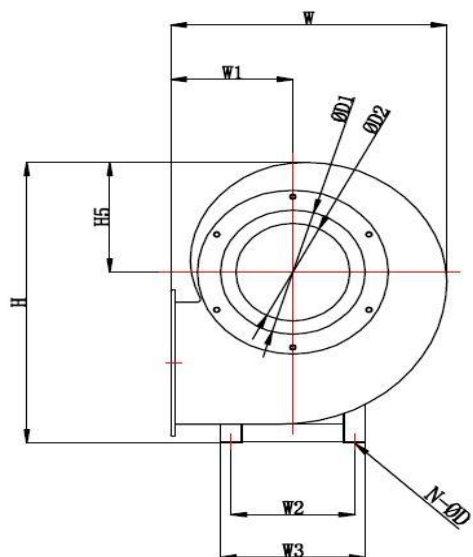
型号Model								
	L3	H1	H2	H3	L4	L5	X-Ød	X-Ød1
DE-A-125FS-A-Y-X	107	77	98	118	60	20	4-Ø9	2-Ø9
DE-A-150FS-A-Y-X	130	78	110	130	60	20	4-Ø9	2-Ø9

DE-A-XXXFS-A-B-S Stainless Steel Fan



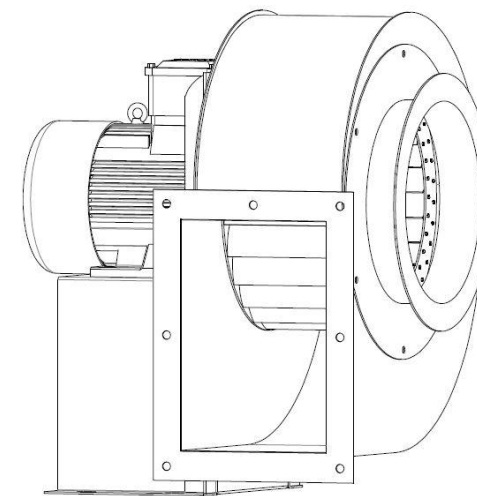
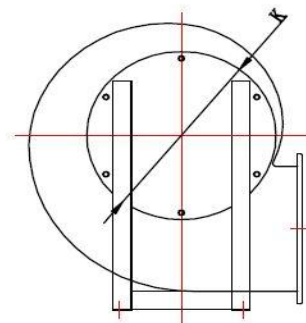
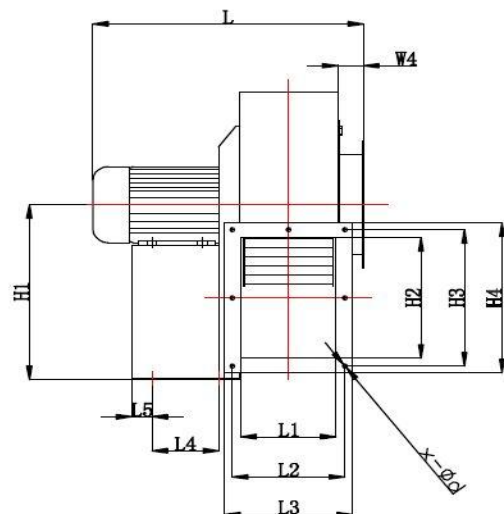
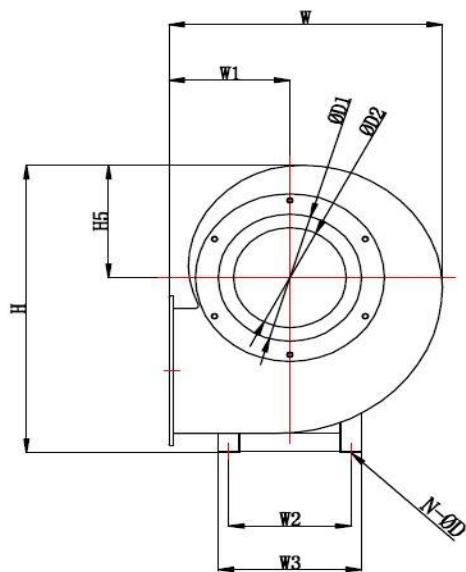
型号Model	外形尺寸Outside dimension											
	W	H1 (0°)	H5	W1	H	W2	W3	L	L4	L5	W4	K
DE-A-160FS-A-B-S	255	209	126	113	335	160	180	346	80	30	35	/
DE-A-175FS-A-B-S	289	201	129	142	330	220	250	384	100	30	30	/
DE-A-190FS-A-B-S	330	254	154	159	408	216	246	409	115	35	40	255
DE-A-230FS-A-B-S	388	278	183	180	461	230	260	448	130	35	40	290
DE-A-250FS-A-B-S	444	327	208	200	535	230	260	473	130	40	40	310
DE-A-270FS-A-B-S	438	306	198	210	504	218	246	463	115	35	50	330
DE-A-300FS-A-B-S	534	386 (0°) \ 313 (90°) \ 263 (180°)	257	235	643	242	280	569	130	40	50	370
DE-A-350FS-A-B-S	610	473 (0°) \ 370 (90°) \ 304 (180°)	289	255	762	265	305	563	160	40	50	420
DE-A-400FS-A-B-S	620	482 (0°) \ 370 (90°) \ 311 (180°)	294	265	776	307	345	579	180	40	50	470
DE-A-400 (L)FS-A-B-S	716	485 (0°) \ 393 (90°) \ 322 (180°)	307	338	792	340	380	780	180	50	50	470
DE-A-450FS-A-B-S	746	493 (0°) \ 401 (90°) \ 346 (180°)	331	360	820	340	380	733	240	50	50	530
DE-A-500FS-A-B-S	785	570 (0°) \ 450 (90°) \ 363 (180°)	348	350	918	350	400	860	240	50	50	570
DE-A-550FS-A-B-S	928	609 (0°) \ 506 (90°) \ 444 (180°)	429	437	1038	400	450	895	260	50	50	630
DE-A-600FS-A-B-S	928	609 (0°) \ 506 (90°) \ 444 (180°)	429	437	1032	400	450	895	260	50	50	670

DE Centrifugal Blower



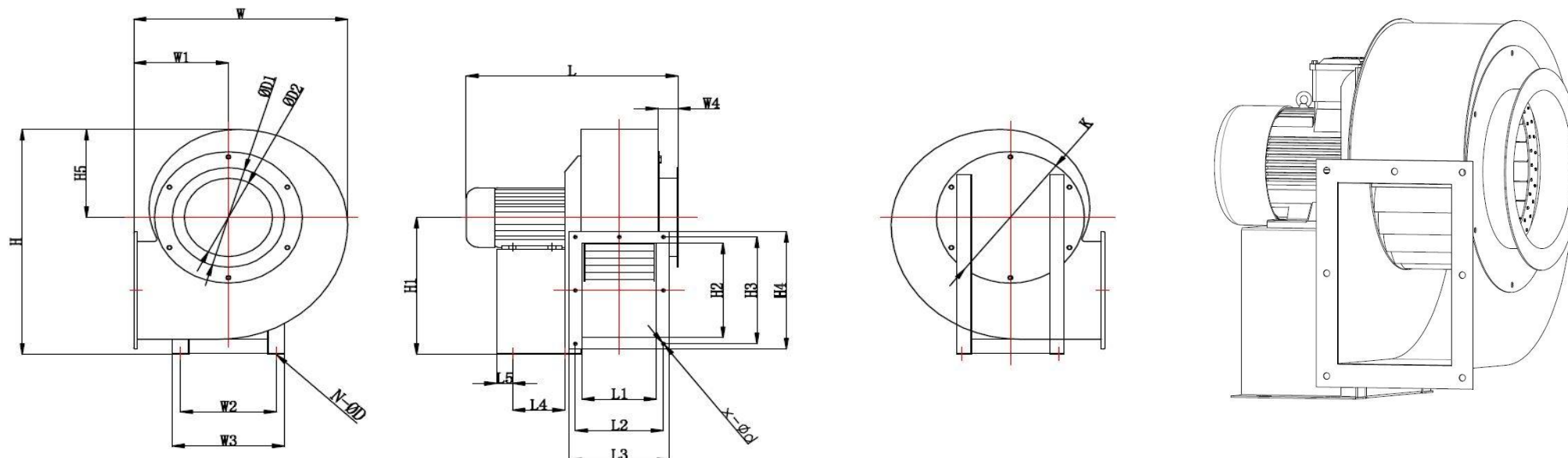
型号	入风口尺寸		出风口尺寸Outlet dimension						安装尺寸	
	ØD1	ØD2	L1	L2	L3	H2	H3	H4	X-Ød	N-ØD
DE-A-160FS-A-B-S	150	100	90	112	135	120	142	165	8-05	4-Ø10x20
DE-A-175FS-A-B-S	175	125	114	140	160	117	140	163	4-08	4-Ø10x20
DE-A-190FS-A-B-S	200	150	115	143	170	138	164	190	8-09	4-Ø10x20
DE-A-230FS-A-B-S	220	170	133	168	199	171	203	233	8-09	4-Ø10x20
DE-A-250FS-A-B-S	250	190	133	165	195	203	235	265	8-09	4-Ø10x20
DE-A-270FS-A-B-S	270	210	163	195	225	249	281	311	8-09	4-Ø10x20
DE-A-300FS-A-B-S	280	220	186	220	250	266	300	330	8-09	4-Ø10x20
DE-A-350FS-A-B-S	335	270	183	225	265	297	340	380	8-09	4-Ø10x20
DE-A-400FS-A-B-S	370	300	195	240	280	296	340	380	8-09	4-Ø10x20
DE-A-400 (L)FS-A-B-S	370	300	340	372	410	400	430	470	8-09	4-Ø12x30
DE-A-450FS-A-B-S	420	350	245	273	315	285	317	355	8-09	4-Ø12x30
DE-A-500FS-A-B-S	430	360	380	412	450	394	422	464	8-09	4-Ø12x30
DE-A-550FS-A-B-S	520	450	355	387	425	476	504	546	8-09	4-Ø12x30
DE-A-600FS-A-B-S	560	500	355	387	425	476	504	546	8-09	4-Ø12x30

DE-A-XXXFS-A-H-Q Carbon Steel Fan(160-270)



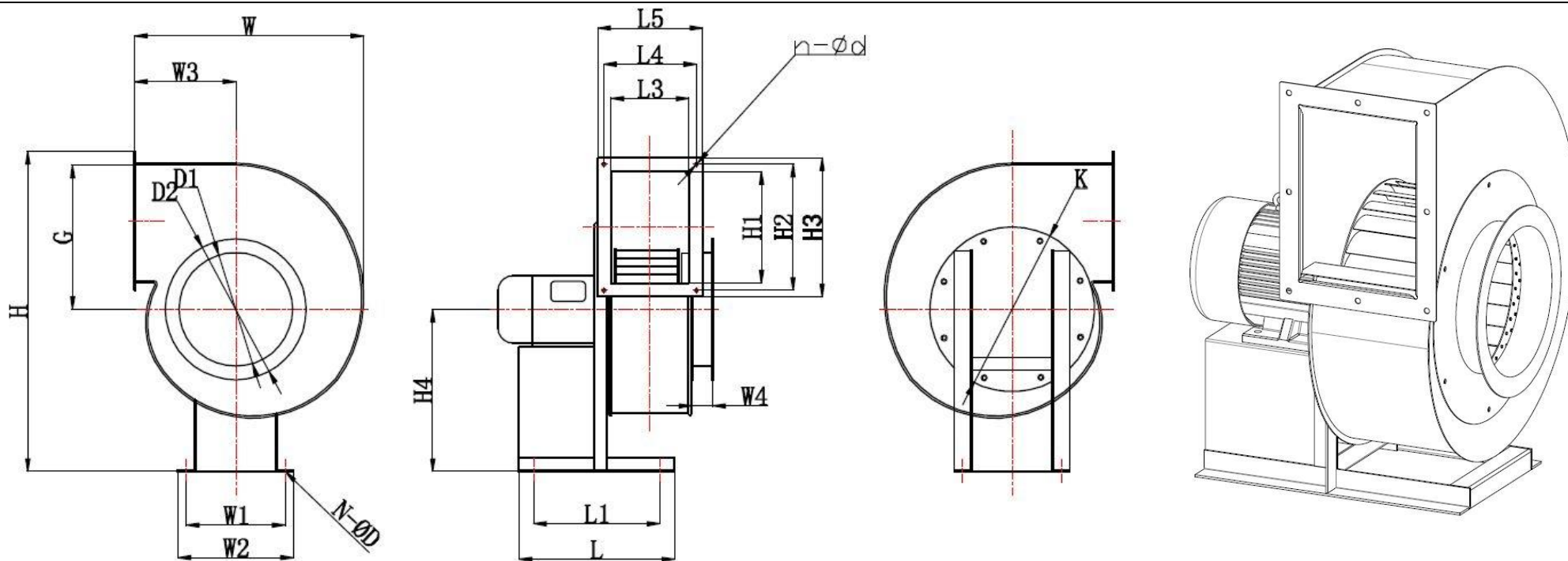
型号Model	外形尺寸Outside dimension										
	W	H	H4	W3	G	W1	W2	W4	L	L1	K
DE-A-160FS-A-H-Q	258	339	185	113	169	220	250	/	145	105	/
DE-A-175FS-A-H-Q	292	338	185	142	170	220	250	/	145	105	/
DE-A-190FS-A-H-Q	321	440	240	136	215	200	230	30	185	145	/
DE-A-230FS-A-H-Q	393	542	280	180	238	215	250	50	210	140	300
DE-A-250FS-A-H-Q	449	637	325	200	288	215	250	50	210	140	320
DE-A-270FS-A-H-Q	443	540	280	210	268	215	245	50	180	115	335

DE-A-XXXFS-A-H-Q Carbon Steel Fan (160-270)



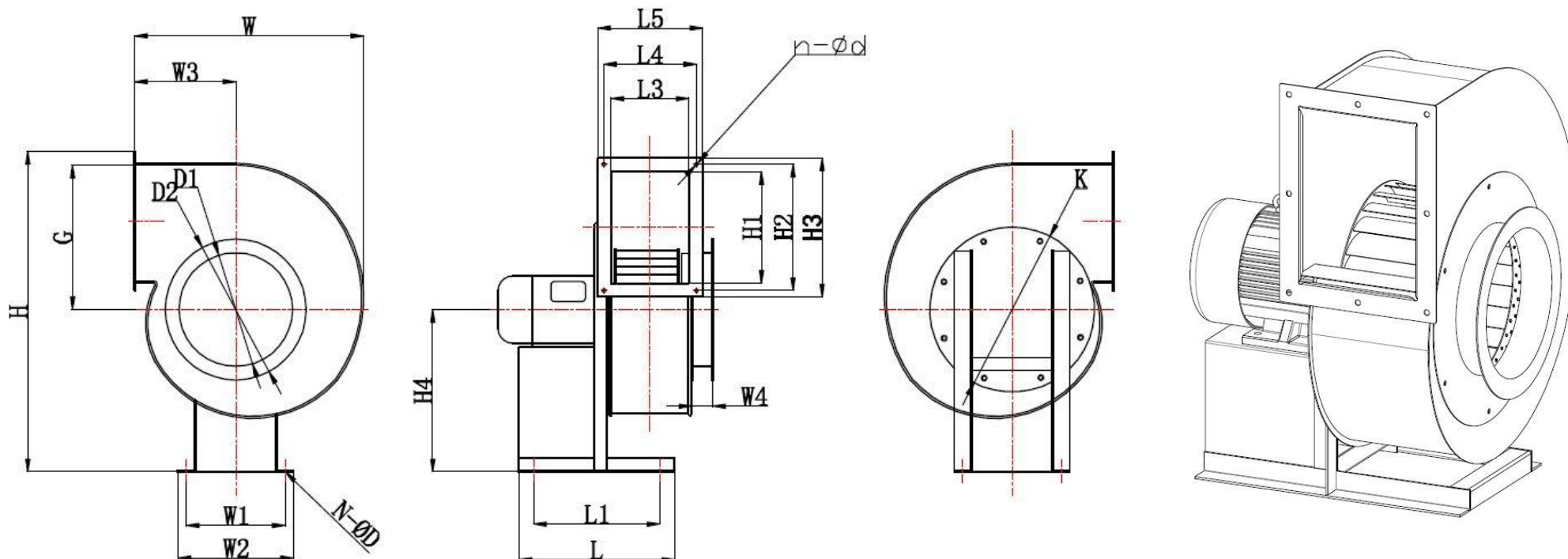
型号	入风口尺寸		出风口尺寸Outlet dimension						安装尺寸	
	ØD1	ØD2	L3	L4	L5	H1	H2	H3	n-ød	N-Ød
DE-A-160FS-A-H-Q	/	/	90	110	130	104	134	155	4-ø9	4-Ø10x20
DE-A-175FS-A-H-Q	/	/	110	142	160	112	142	160	4-ø9	4-Ø10x20
DE-A-190FS-A-H-Q	190	/	110	143	170	135	165	190	8-ø8	4-Ø10x20
DE-A-230FS-A-H-Q	190	245	135	168	195	170	203	231	8-ø9	4-Ø10x20
DE-A-250FS-A-H-Q	190	250	135	165	195	203	235	266	8-ø9	4-Ø10x20
DE-A-270FS-A-H-Q	220	280	161	195	225	247	280	310	8-ø9	4-Ø10x20

DE-A-XXXFS-A-L-Q Carbon Steel Fan (300-600)



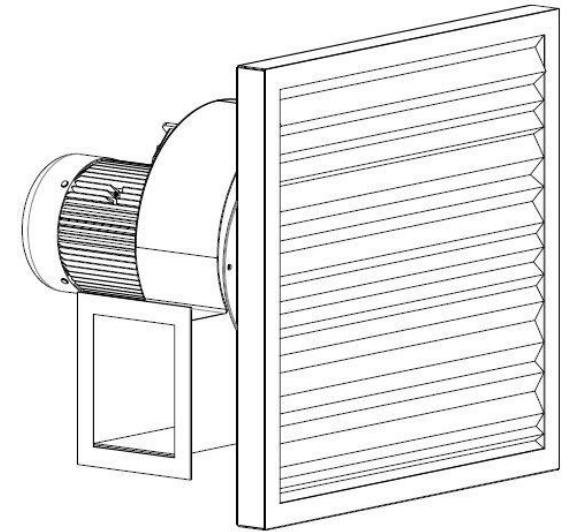
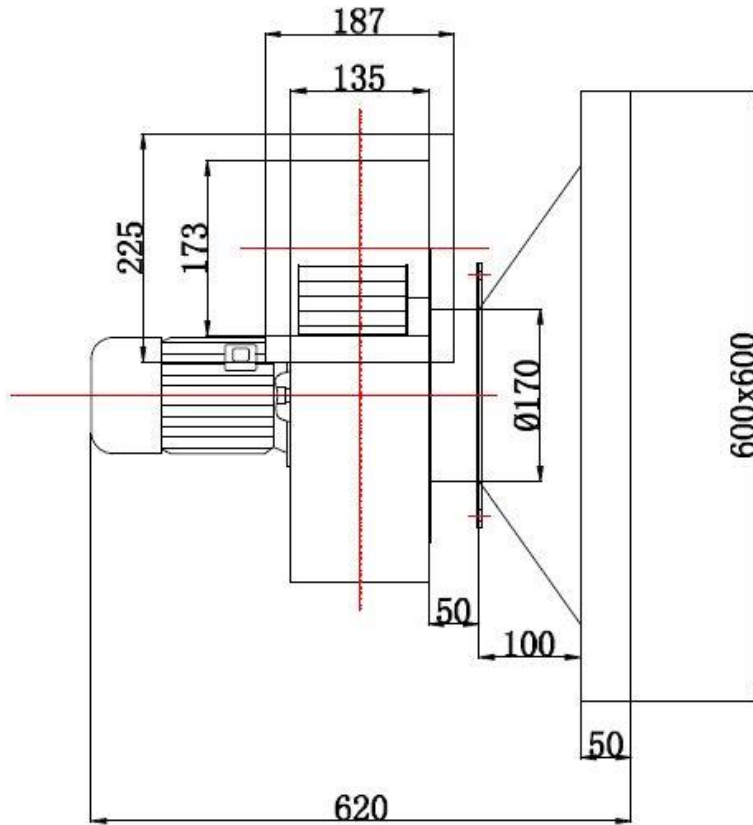
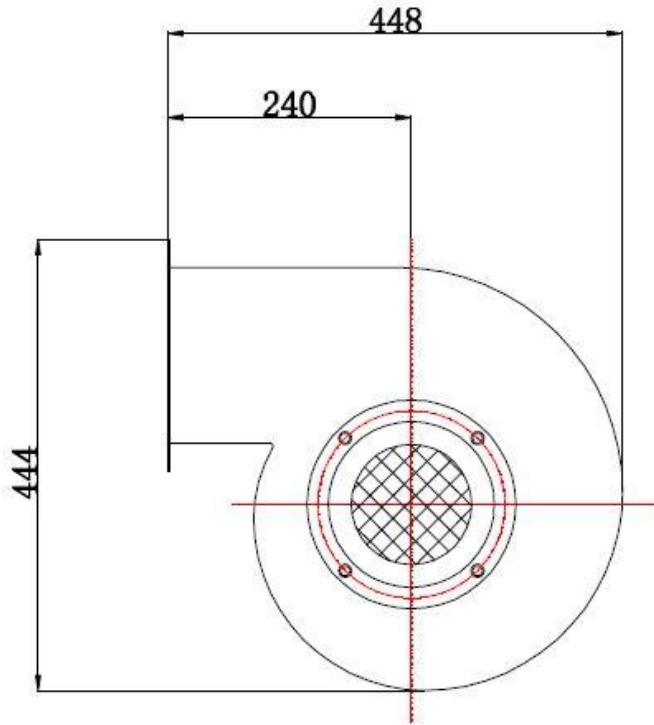
型号Model	外形尺寸Outside dimension										
	W	H	H4	W3	G	W1	W2	W4	L	L1	K
DE-A-300FS-A-L-Q	538	803	430	235	348	230	270	50	370	290	370
DE-A-350FS-A-L-Q	621	949	485	261	426	270	310	50	410	340	420
DE-A-400FS-A-L-Q	615	959	490	255	431	290	330	50	410	330	470
DE-A-400(L)FS-A-L-Q	721	970	500	338	440	290	330	50	500	420	470
DE-A-450FS-A-L-Q	751	1003	530	360	448	340	380	50	490	410	530
DE-A-500FS-A-L-Q	790	1146	595	350	523	355	400	50	600	515	570
DE-A-550FS-A-L-Q	933	1211	620	437	564	413	460	50	670	570	630
DE-A-600FS-A-L-Q	933	1211	620	437	564	413	460	50	670	570	680

DE Centrifugal Blower

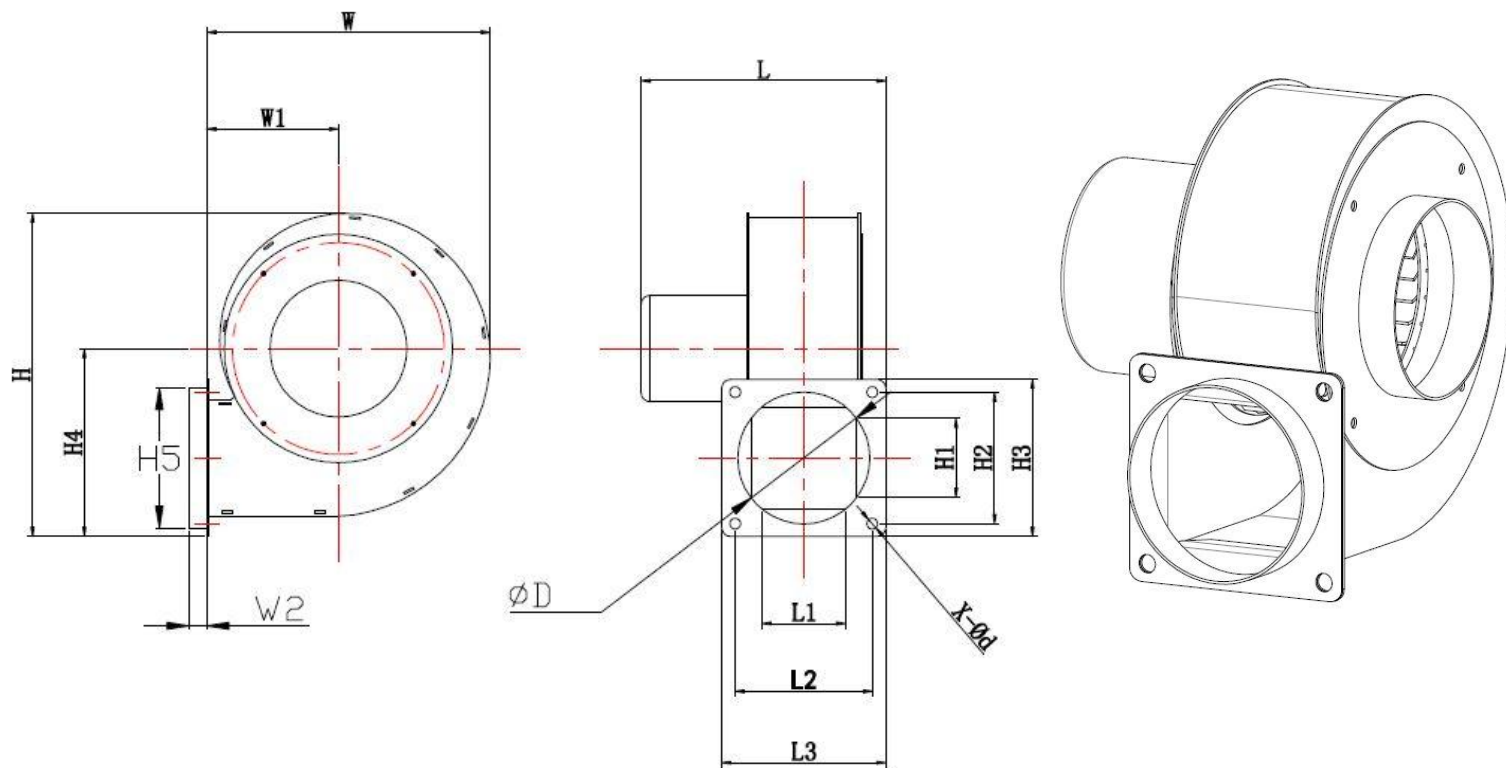


型号	入风口尺寸		出风口尺寸Outlet dimension						安装尺寸	
	ØD1	ØD2	L3	L4	L5	H1	H2	H3	n-Ød	N-ØD
DE-A-300FS-A-L-Q	215	280	186	220	250	266	300	330	8-Ø9	4-Ø12x25
DE-A-350FS-A-L-Q	270	345	183	225	265	297	340	380	10-Ø9	4-Ø12x25
DE-A-400FS-A-L-Q	295	370	195	240	280	296	340	380	8-Ø9	4-Ø12x25
DE-A-400(L)FS-A-L-Q	300	350	335	365	410	390	420	465	8-Ø9	4-Ø12x25
DE-A-450FS-A-L-Q	345	425	245	280	315	280	315	345	8-Ø9	4-Ø13x25
DE-A-500FS-A-L-Q	360	435	375	408	445	382	415	455	4-Ø9	4-Ø13x25
DE-A-550FS-A-L-Q	425	490	350	380	420	460	495	535	4-Ø9	4-Ø13x25
DE-A-600FS-A-L-Q	500	560	350	380	420	460	495	535	4-Ø9	4-Ø13x25

DE-G/F/H-250FS-A-N-S Dimension (Filter Typing)

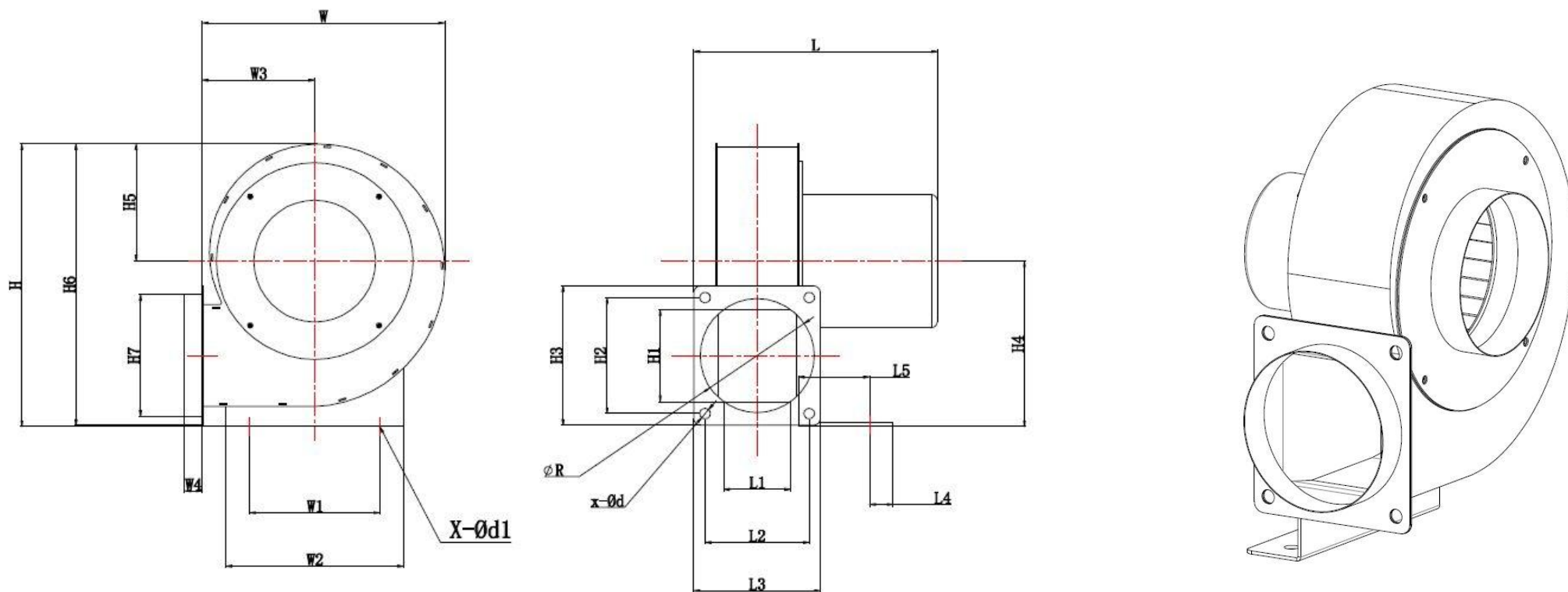


DE-R-XXXFS-A-N-X Dimension (75-100)



型号Model							中心高Central High(H4)									
	W	W1	H	W2	ØD	L	0°	90°	180°	L1	L2	L3	H1	H2	H3	X-Ød
DE-R-75FS-A-N-Q	132	62	145	15	75	142	87			59	66	80	50	66	80	4-Ø6
DE-R-100FS-A-N-X	158	74	180	15	75	150	110			57	75	90	56	72	86	4-Ø6

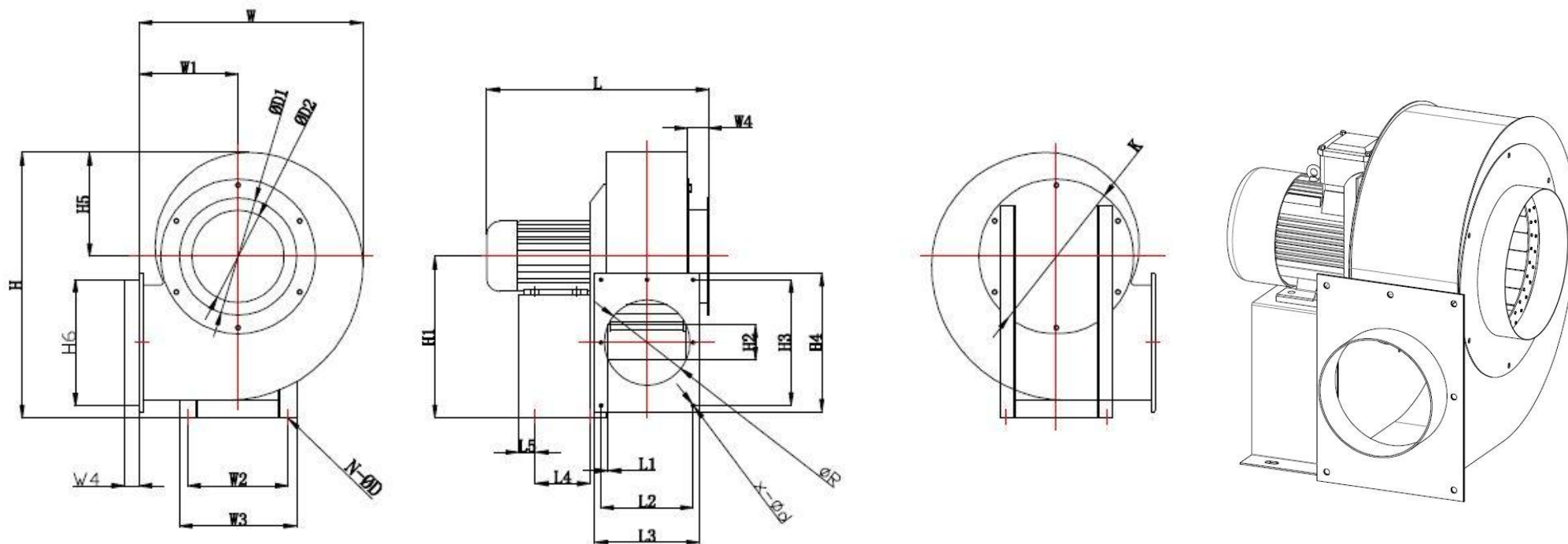
DE-R-XXXFS-A-Y-X Dimension (125-150)



型号Model				中心高Central High(H4)									
	W	W3	H	H5	0°	90°	180°	H6	W1	W2	L	L1	L2
DE-R-125FS-A-Y-X	206	95	231	99	132			263	110	150	212	66	88
DE-R-150FS-A-Y-X	206	95	231	99	132			274	110	150	232	90	110

型号Model												
	ØR	W4	L3	H1	H2	H3	L4	L5	X-Ød	X-Ød1		
DE-R-125FS-A-Y-X	95	20	107	77	98	118	60	20	4-Ø9	2-Ø9		
DE-R-150FS-A-Y-X	120	20	130	78	110	130	60	20	4-Ø9	2-Ø9		

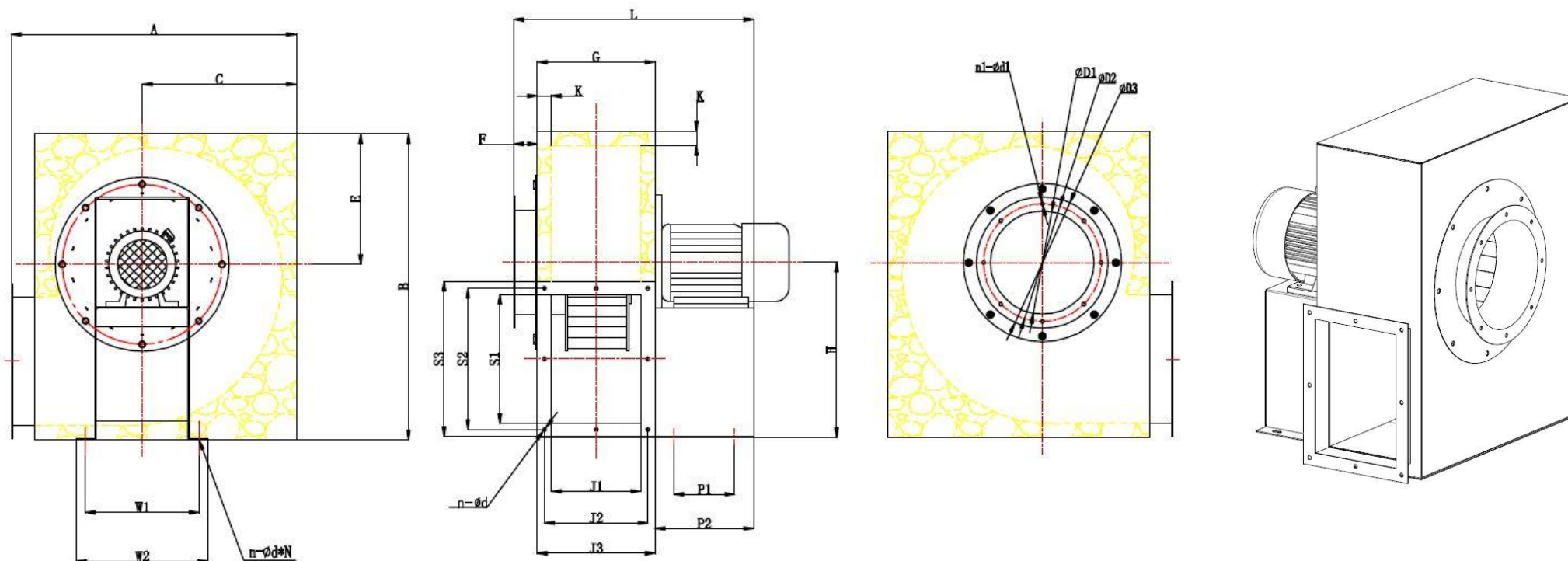
DE-R-XXXFS-A-H-X Dimension (160-190)



型号Model	外形尺寸Outside dimension												
	W	H1(0°)	ØR	H5	W1	H	W2	W3	L	L4	L5	W4	K
DE-R-160FS-A-H-X	258	185	120	125	113	294	220	250	325	105	20	\	\
DE-R-175FS-A-H-X	292	185	120	132	142	300	220	250	340	105	20	\	\
DE-R-190FS-A-H-X	321	240	150	157	136	372	200	230	390	145	20	30	\

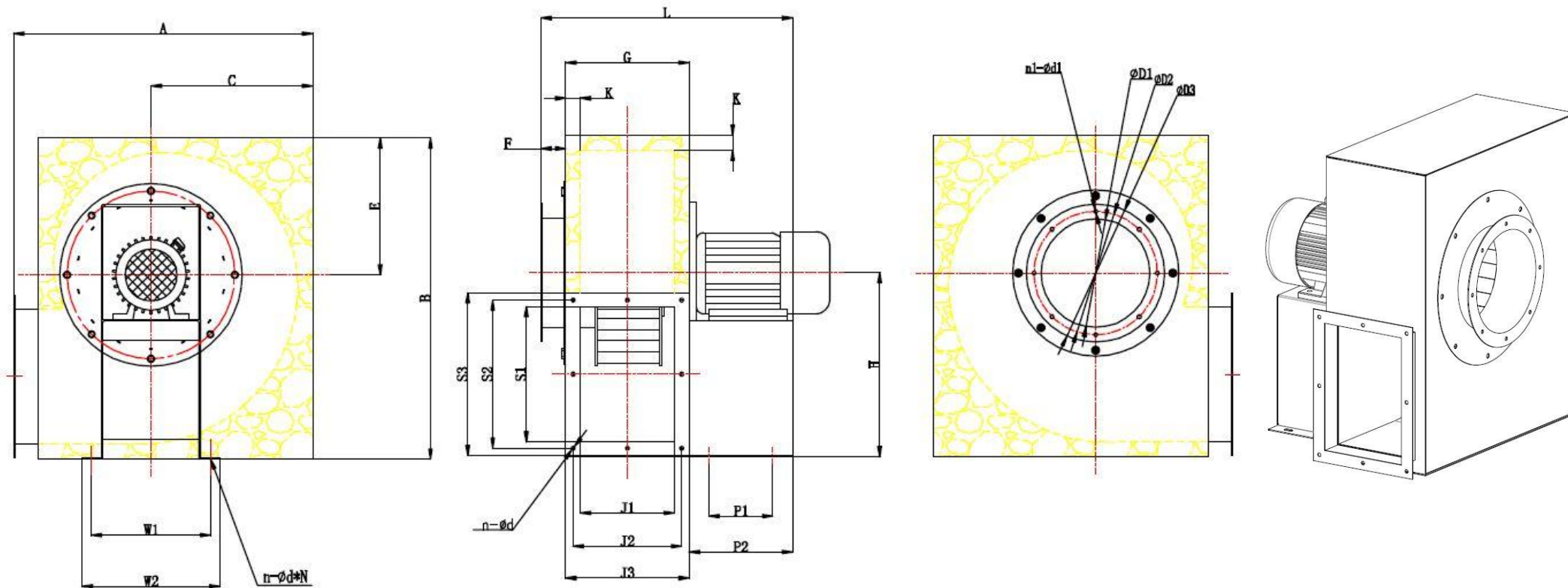
型号	入风口尺寸			出风口尺寸Outlet dimension						安装尺寸	
	ØD1	ØD2	W4	L1	L2	L3	H2	H3	H4	X-Ød	N-ØD
DE-R-160FS-A-H-X	\	\	20	90	110	130	104	134	155	4-Ø9	4-Ø10xØ20
DE-R-175FS-A-H-X	\	\	20	110	142	160	112	142	160	4-Ø9	4-Ø10xØ20
DE-R-190FS-A-H-X	\	190	25	110	143	170	135	165	190	8-Ø9	4-Ø10xØ20

DE-K-XXXFS-A-H-X Dimension (300-600)



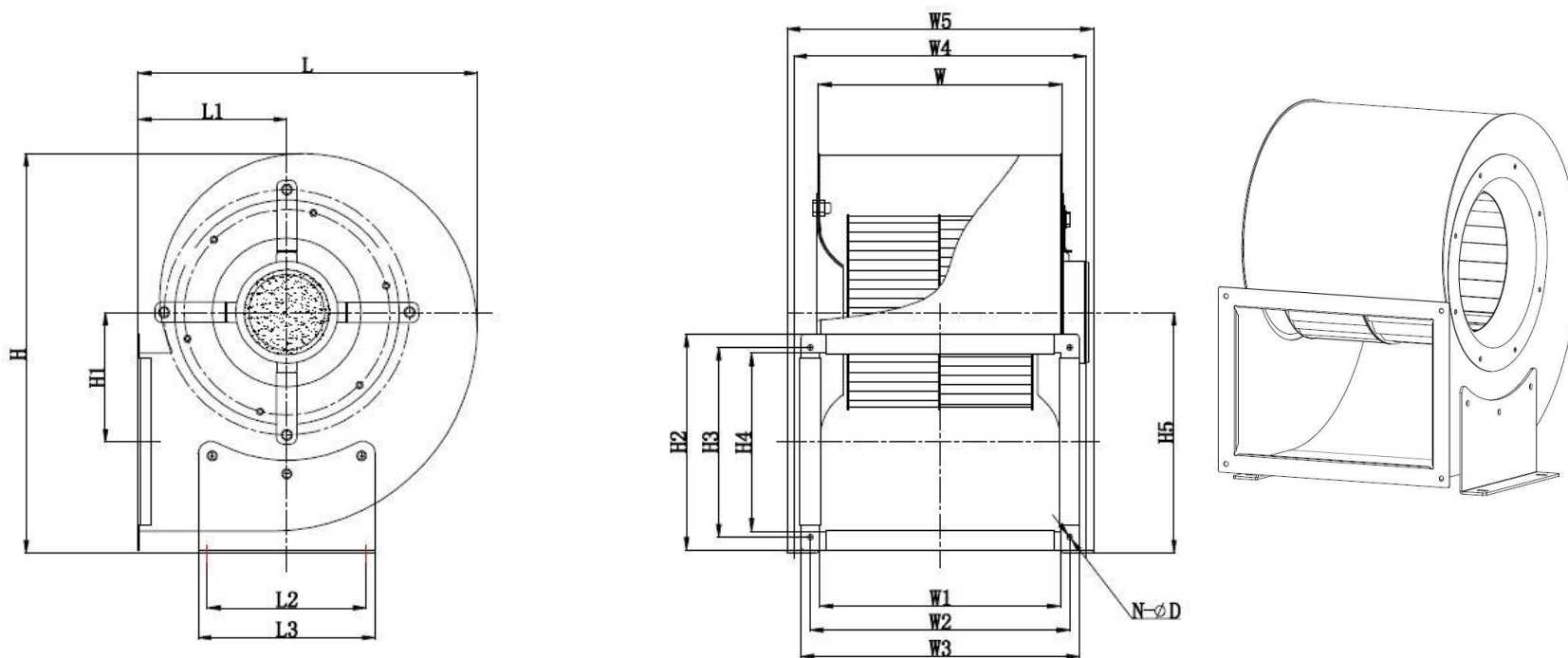
型号Model	外形尺寸Outside dimension														
	A	H			B	C	E	L	G	K	F	W1	W2	P1	P2
DE-K-300FS-A-H-X	606	373(0°)\328(90°)\278(180°)			651	328	278	510	250	30	50	242	280	130	210
DE-K-350FS-A-H-X	692	451(0°)\385(90°)\319(180°)			770	385	319	538	245	30	50	275	320	160	240
DE-K-400FS-A-H-X	705	456(0°)\385(90°)\321(180°)			777	385	321	570	260	30	50	307	345	180	260
DE-K-450FS-A-H-X	779	473(0°)\416(90°)\361(180°)			834	416	361	695	305	30	50	340	380	240	340
DE-K-500FS-A-H-X	878	568(0°)\485(90°)\398(180°)			966	485	398	882	482	50	60	400	450	240	340
DE-K-550FS-A-H-X	1009	609(0°)\541(90°)\479(180°)			1188	541	419	855	455	50	60	400	450	240	340
DE-K-600FS-A-H-S	1009	609(0°)\541(90°)\479(180°)			1188	541	419	855	455	50	60	400	450	240	340

DE Centrifugal Blower



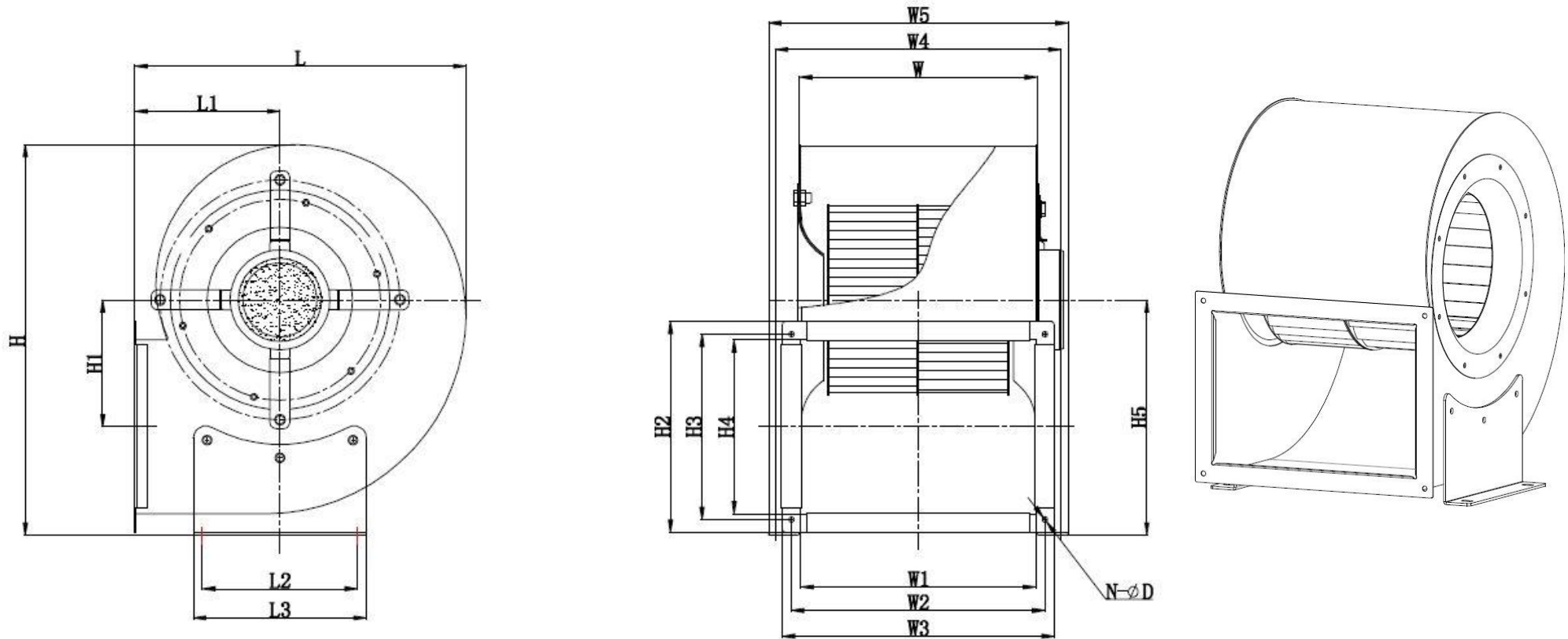
型号	入风口尺寸			出风口尺寸Outlet dimension						安装尺寸			电机
	ØD1	ØD2	ØD3	J1	J2	J3	S1	S2	S3	n-Ød	n1-Ød1	n-Ød*N	kw/p
DE-K-300FS-A-H-X	220	250	280	190	220	250	275	300	330	8-Ø8	8-Ø8	4-Ø10x20	1.5kw/4
DE-K-350FS-A-H-X	270	305	340	185	215	245	295	330	355	8-Ø8	8-Ø8	4-Ø10x20	3kw/4
DE-K-400FS-A-H-X	290	335	360	200	232	260	295	330	355	8-Ø8	8-Ø8	4-Ø10x20	4kw/4
DE-K-450FS-A-H-X	350	385	420	245	275	305	285	315	345	8-Ø8	8-Ø8	4-Ø12x25	7.5kw/4
DE-K-500FS-A-H-X	360	390	420	380	426	464	390	435	473	12-Ø8	8-Ø8	4-Ø12x25	5.5kw/6
DE-K-550FS-A-H-X	420	455	490	355	396	435	472	514	552	14-Ø8	8-Ø8	4-Ø12x25	7.5kw/6
DE-K-600FS-A-H-S	500	530	560	355	396	435	472	514	552	14-Ø8	8-Ø8	4-Ø12x25	7.5kw/6

DE-A-XXXFD-A-X-Q Dimension (150-400)



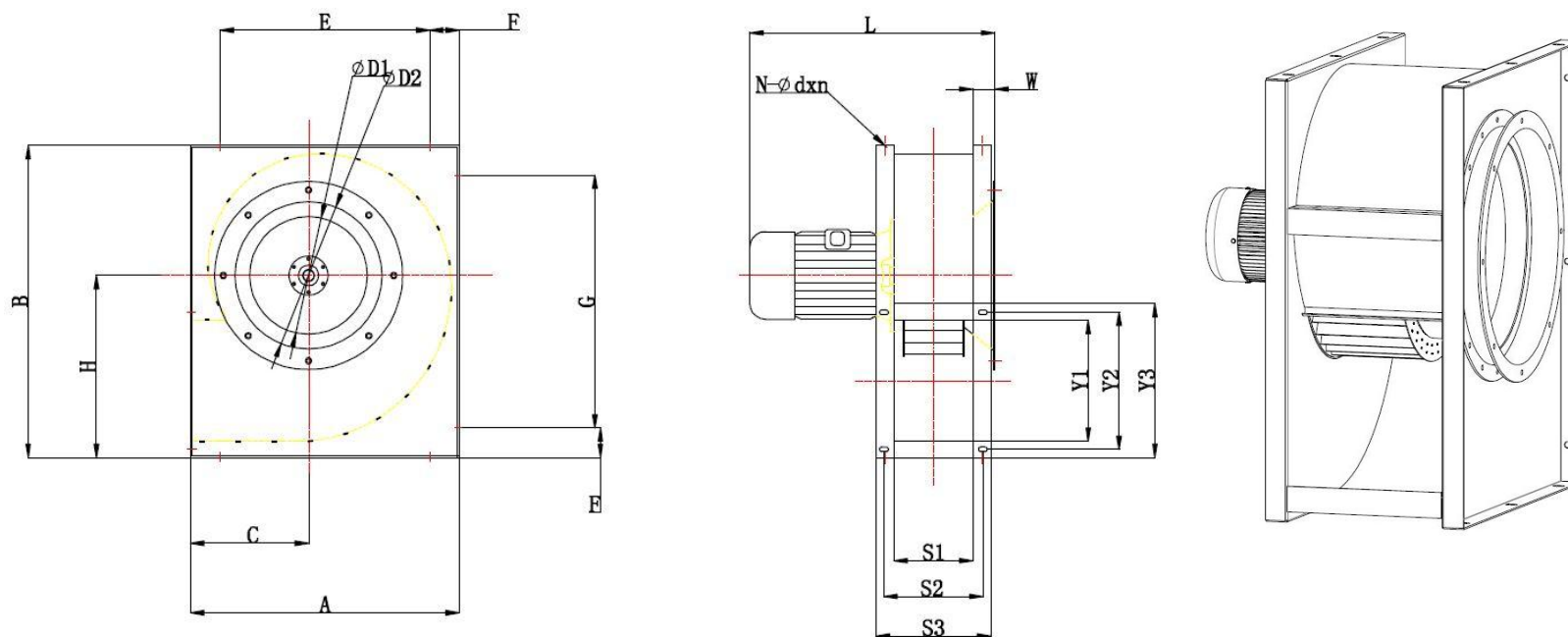
型号Model					中心高Central High(H5)			L2	L3
	L	L1	H	H1	0°	90°	180°		
DE-A-150FD-A-X-Q	260	115	315	115	157	\	\	120	170
DE-A-190FD-A-X-Q	320	149	398	140	244	\	\	177	218
DE-A-230FD-A-X-Q	382	160	473	157	281	\	\	180	220
DE-A-250FD-A-X-Q	447	200	526	179	300	\	\	178	220
DE-A-300FD-A-X-Q	536	235	653	205	381	\	\	210	260
DE-A-400FD-A-X-Q	716	338	782	235	475	\	\	180	221

DE Centrifugal Blower

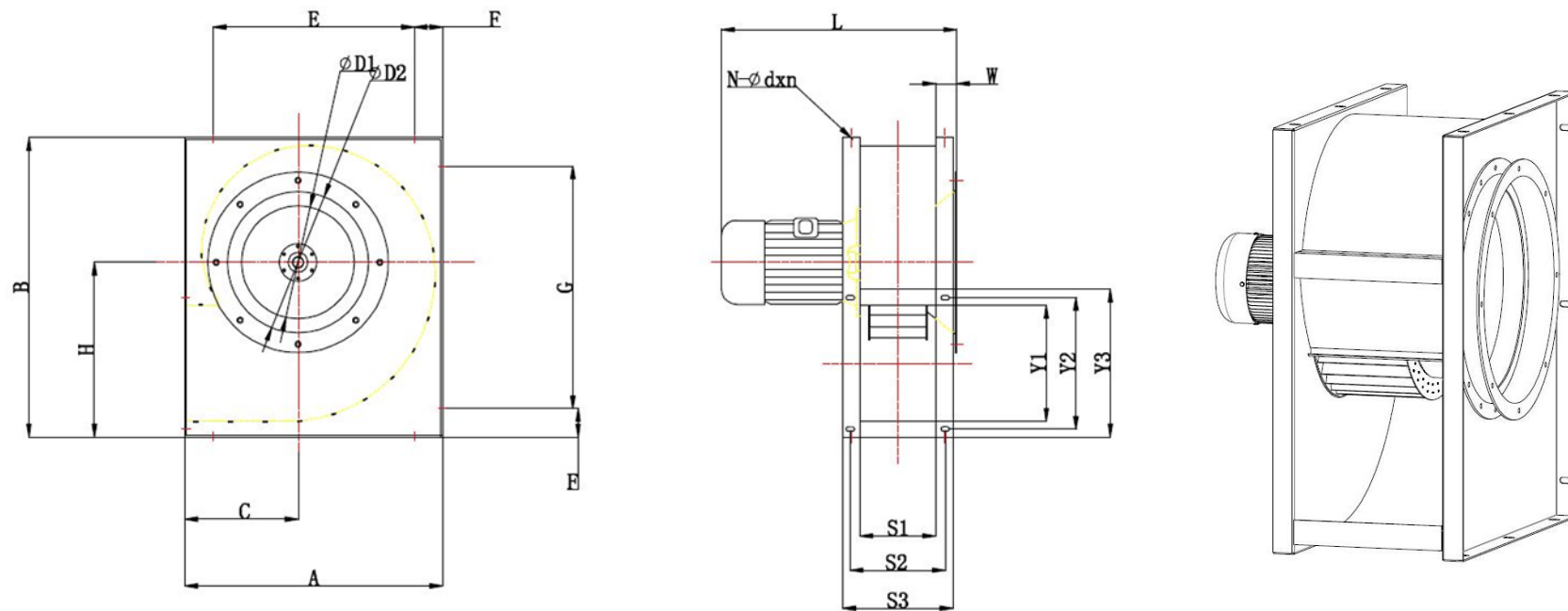


型号Model	W1	W2	W3	W4	W5	H2	H3	H4	W
DE-A-150FD-A-X-Q	200	227	257	255	280	162	131	106	200
DE-A-190FD-A-X-Q	215	242	274	290	340	193	160	133	224
DE-A-230FD-A-X-Q	295	325	352	370	429	225	196	170	307
DE-A-250FD-A-X-Q	320	345	375	398	444	262	228	200	330
DE-A-300FD-A-X-Q	375	400	430	447	493	327	295	270	384
DE-A-400FD-A-X-Q	400	430	470	\	\	470	430	400	410

DE-CT-XXXFS-A-N-X Dimension (190-500)

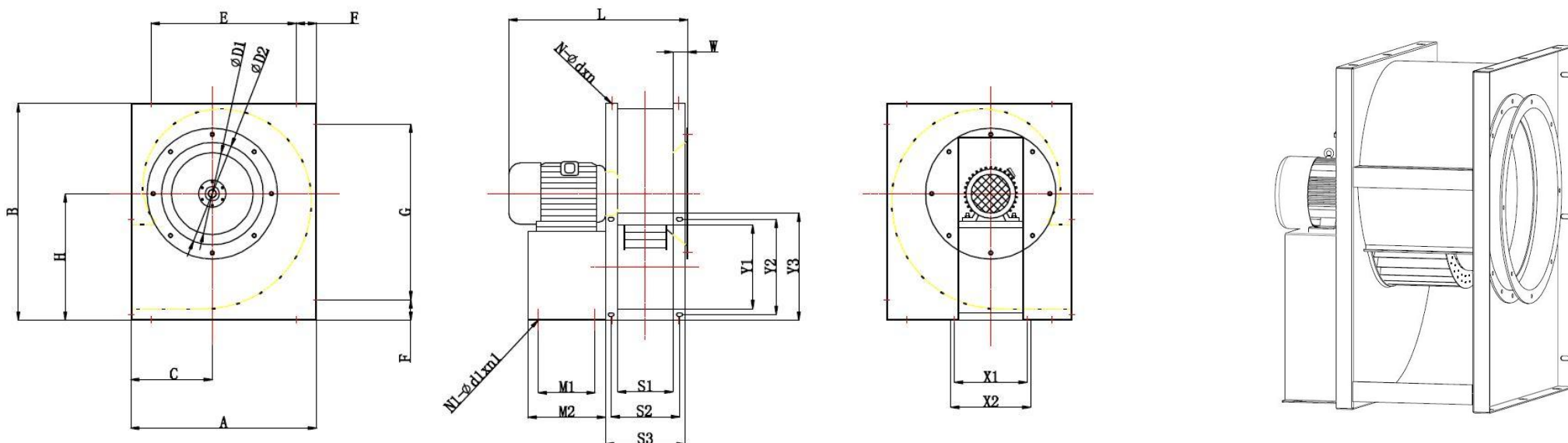


型号Model	外形尺寸Outside Dimension								中心高Central High		
	A	B	C	L	W	E	G	F	H		
									0°	90°	180°
DE-CT-190FS-A-N-X	385	460	158	400	40	285	360	50	270	\	\
DE-CT-230FS-A-N-X	401	461	178	420	40	301	361	50	265	\	\
DE-CT-250FS-A-N-X	456	530	200	460	40	356	430	50	310	\	\
DE-CT-300FS-A-N-X	544	638	235	530	50	444	538	50	379	\	\
DE-CT-350FS-A-N-X	629	760	261	565	55	529	660	50	458	\	\
DE-CT-400FS-A-N-X	620	767	252	595	55	520	667	50	463	\	\
DE-CT-450FS-A-N-X	738	824	339	730	55	638	724	50	480	\	\
DE-CT-500FS-A-N-X	800	921	350	882	55	700	821	50	558	\	\



型号Model	出口风Outlet Dimension						进口风Inlet Dimension		安装孔Amount of Holes
	S1	S2	S3	Y1	Y2	Y3	$\Phi D1$	$\Phi D2$	N- Φd *N
DE-CT-190FS-A-N-X	120	153	180	170	195	228	205	250	16- $\Phi 8 \times 15$
DE-CT-230FS-A-N-X	135	168	195	173	200	233	205	250	16- $\Phi 8 \times 15$
DE-CT-250FS-A-N-X	135	168	195	205	233	262	205	250	16- $\Phi 8 \times 15$
DE-CT-300FS-A-N-X	190	234	270	273	307	339	280	340	16- $\Phi 10 \times 20$
DE-CT-350FS-A-N-X	185	229	265	295	335	372	360	420	16- $\Phi 10 \times 20$
DE-CT-400FS-A-N-X	200	244	280	295	335	372	410	480	16- $\Phi 10 \times 20$
DE-CT-450FS-A-N-X	245	289	325	285	325	362	460	530	16- $\Phi 10 \times 20$
DE-CT-500FS-A-N-X	380	420	460	394	434	474	360	420	16- $\Phi 10 \times 20$

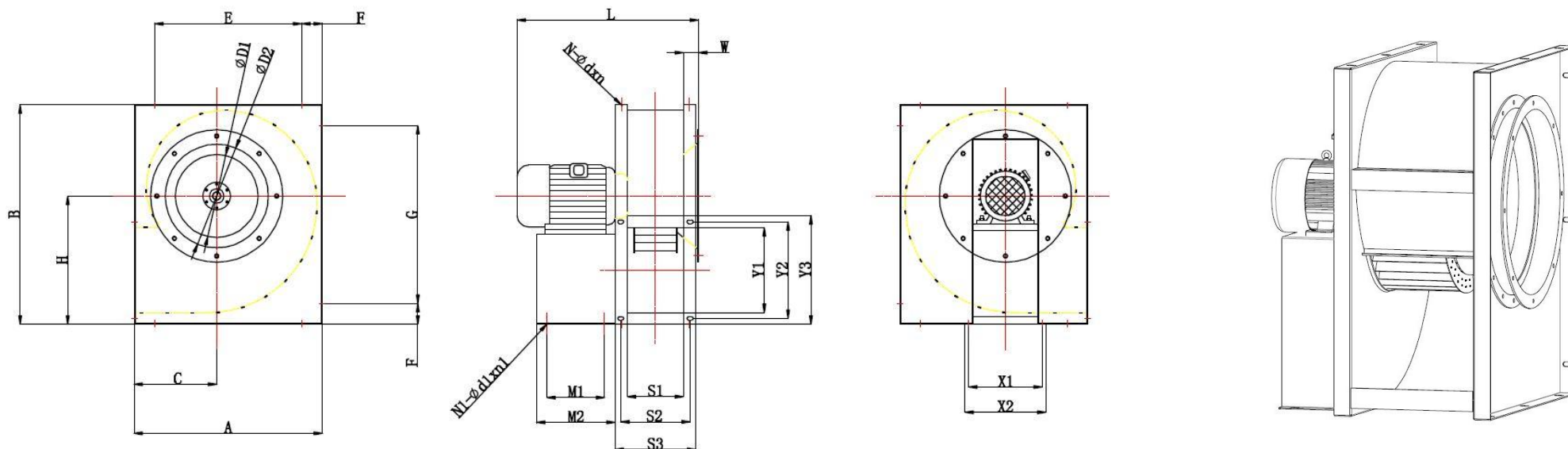
DE-CT-XXXFS-A-B-X Dimension (190-600)



单位: mm

型号Model	外形尺寸Outside Dimension												中心高Central High		
	A	B	C	L	W	E	G	F	M1	M2	X1	X2	H		
													0°	90°	180°
DE-CT-190FS-A-B-X	385	460	158	400	40	285	360	50	115	185	216	246	270	\	\
DE-CT-230FS-A-B-X	401	461	178	420	40	301	361	50	130	200	230	260	265	\	\
DE-CT-250FS-A-B-X	456	530	200	460	40	356	430	50	130	210	230	260	310	\	\
DE-CT-300FS-A-B-X	544	638	235	530	50	444	538	50	130	210	242	280	379	\	\
DE-CT-350FS-A-B-X	629	760	261	565	55	529	660	50	160	240	267	305	458	\	\
DE-CT-400FS-A-B-X	620	767	252	595	55	520	667	50	180	260	307	345	463	\	\
DE-CT-450FS-A-B-X	738	824	339	730	55	638	724	50	240	340	340	380	480	\	\
DE-CT-500FS-A-B-X	800	921	350	882	55	700	821	50	240	340	350	400	558	\	\
DE-CT-550FS-A-B-X	948	1048	437	907	55	848	948	50	260	360	400	450	599	\	\
DE-CT-600FS-A-B-X	948	1048	437	907	55	848	948	50	260	360	400	450	599	\	\

DE-CT-XXXFS-A-B-Q Dimension (190-600)



单位: mm

型号Model	出口风Outlet Dimension						进口风Inlet Dimension		安装孔Amount of Holes	
	S1	S2	S3	Y1	Y2	Y3	$\Phi D1$	$\Phi D2$	$N-\Phi d \times N$	$N1-\Phi d \times N$
DE-CT-190FS-A-B-X	120	153	180	170	195	228	205	250	16- $\Phi 8 \times 15$	4- $\Phi 10 \times 20$
DE-CT-230FS-A-B-X	135	168	195	173	200	233	205	250	16- $\Phi 8 \times 15$	4- $\Phi 10 \times 20$
DE-CT-250FS-A-B-X	135	168	195	205	233	262	205	250	16- $\Phi 8 \times 15$	4- $\Phi 10 \times 20$
DE-CT-300FS-A-B-X	190	234	270	273	307	339	280	340	16- $\Phi 10 \times 20$	4- $\Phi 10 \times 20$
DE-CT-350FS-A-B-X	185	229	265	295	335	372	360	420	16- $\Phi 10 \times 20$	4- $\Phi 10 \times 20$
DE-CT-400FS-A-B-X	200	244	280	295	335	372	410	480	16- $\Phi 10 \times 20$	4- $\Phi 10 \times 20$
DE-CT-450FS-A-B-X	245	289	325	285	325	362	460	530	16- $\Phi 10 \times 20$	4- $\Phi 10 \times 20$
DE-CT-500FS-A-B-X	380	420	460	394	434	474	360	420	16- $\Phi 10 \times 20$	4- $\Phi 12 \times 25$
DE-CT-550FS-A-B-X	355	405	455	476	516	556	425	425	16- $\Phi 10 \times 20$	4- $\Phi 12 \times 25$
DE-CT-600FS-A-B-X	355	405	455	476	516	556	450	500	16- $\Phi 10 \times 20$	4- $\Phi 12 \times 25$

CKS Industry Technology has the right to change the engineering data, design and dimension without prior notice.

DE Notes

- Please check all the parts of the body in details and make sure whether there is damage inside or not. It is because the fan may be damage during the transportation. If any, it should be repaired before it install
- The motor and impeller should connect properly, and its protection level is IP54, insulation class is F.
- Please do check the fan and duct, and ensure that there are no obstructions to hinder the rotation. If any, it should be cleared before starting
- Running in a given value and the fan should be rotate in a given direction
- If any unexpected sound and strenuous vibration occurred, please switch off the blower and repair the breakdown before it use.
- The fan cannot bear the weight of duct and it needs to provide an extra bearing frame to bearing.

General Questions

Did not rotate

- Wrong Voltage
- Power shut down or wrong wiring
- Overload protection
- Fuse burn-out.
- Loose of pulley.
- Failure of belt

Limited Air Volume

- Wrong rotate direction.
- The real air speed is lower than expected
- Static pressure is too much
- Restricted Inlet or Outlet
- Blocked Inlet or Outlet

Too much Air Volume

- The real air speed is higher than expected
- Static pressure is too less
- The blower is not installed in the right position

Usage Description

1. The fan is mainly use in delivering the clean air without the place that with easy burning materials, explosive materials and powder
2. The fan is fed with external rotor machine and sealed ball bearing. It is free maintenance.
3. If the fan install in the damping and sobering area, continuous operation is required for the fan.
4. The fan can be installed in the outdoor or damp environment with drainage system.
5. All the fans are feeding with international standard motors, which are single phase 120V, 60Hz or 220V, 50Hz and three phases 380V, 50Hz
6. Installation is available in any areas

Installation

1. Must be install according to the air flow marking
2. Must be connect to the piping or equip with safety accessories
3. Must be installing in a proper way and make sure the outlet is without any unusual materials.
4. Try to installing the fan as easy as for the maintenance purpose
5. Fan required flanges in order to avoid the piping damage when vibrated
6. Speed controller or transformer is available to connect to the fan
7. Wiring diagram is in the package.
8. Wiring must be strictly following the wiring diagram.
9. Electrical Installation must be done by professional technicians.
10. Electrical Installation must be connecting in the special control box.

Operation

Before operation, please make sure

1. The real maximum current cannot be exceed the National standard index:+5%.
2. The voltage pulsation is between +6% --+10%
3. No exceptional noise produce when operation.
4. The rotating direction for three phase motor is the same as the marking

Maintenance

1. Before repair or maintenance the fan, please make sure the fan is stop and the fan is not working in overload condition
2. When disassemble the larger fan, please care for the weight to avoid blocking and scratching

3. Cleaning the fan once a year, so that it can keep the function and avoid the unnecessary damage.
4. Ball bearing is free maintenance except for the necessary updates.
5. When cleaning the fan, please do not use the high pressure washer or strong solvent, and do not take out the damaging impeller
6. Make sure the fan is operating without any noise

Failure detection

1. Make sure the fan is in the load condition.
2. Verify the impeller is without block.
3. Please do check with the heat-variable switch and motor protector. If the switch is not in connected, please do check it. If its need to restart makes sure the power supply is cut off in a few minutes until the rated current is not higher than 1.6A. If the motor has the heat protector, it will automatically reset after cool down.
4. Make sure the capacitor is connected according to the wiring diagram.
5. Please change the capacitor at the first time when the fan is not work.
6. Please contact the distributor if the fan is still not work
7. When send back the fan to the distributor, please clean it and make sure the cables are

Guarantee

The guarantee is valid only with the guideline of this manual.

Noise level test method

1m/45° free zone, without connect the ducting noise data.



Company Introduction

CKS FangYuan Industry is China based business owned and operated by its management team. We specialize in air movement and have experience gained more than ten years of operation with worldwide predecessors. We service the ventilation equipment needs of customers ranging from HVAC through mining, manufacturing, construction, and agriculture as well as retail end users include Tianjin and Suzhou retail stores. We build our products in state of the art facilities in Guangzhou, WuHan and DeQing. We adapt ISO9001 quality system to ensure our customers are using best products.

Capabilities and Services

1. Fan and Blower design and manufacture
2. Fully performance tested products and published data
3. In-house design engineering team
4. Scale and capacity to handle any size project
5. Servicing overseas markets with built products and OEM supply
6. Sales and after sales support teams



Guangzhou

Tel: +86 (020) 87481162

Fax: +86 (020) 87481612

China

Certification:



国家防爆



Guangzhou AoZhong Fan Equipment Co.,LTD

