

Guangzhou AoZhong Fan Equipment Co.,LTD

CKS Fan Global



RCU Upblast Roof Fan

CKS Fan Global Industry Roof Blowers are designed to provide efficient and reliable operation for commercial and extractive industry. Our products are manufactured with state of the art laser, forming, spinning and welding equipment and ensure our quality control testing to ensure trouble free start-up. Our Roof Blowers are including industry leading design features to ensure your ventilation equipment has the latest technologies available.

Main feature with RCU Series,

- Working in high temperature environment
- Full mold, Aluminum Alloy structure
- Most advanced motor cooling of blower in its class
- Direct Drive and Belt Drive are available
- Anti-explored Type is available
- ISO9001:2018 controllable standard
- UL762 test grant

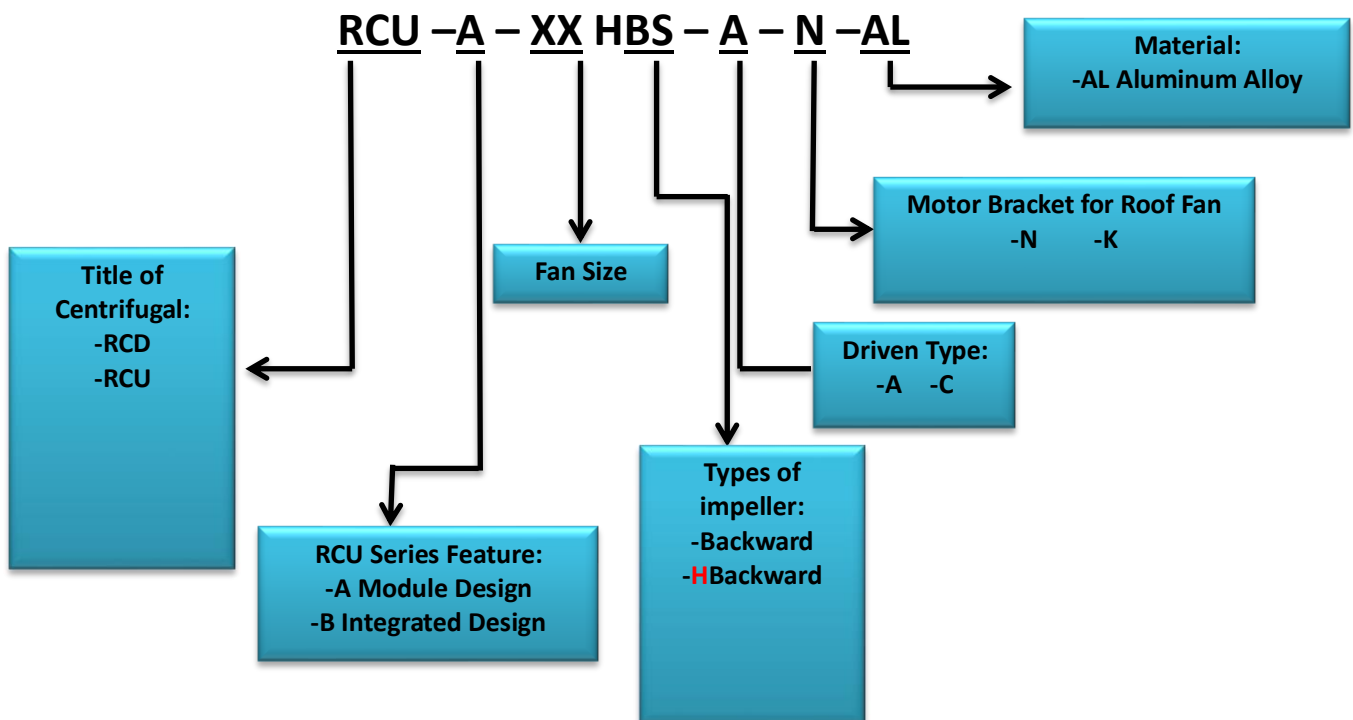


Every RCU has been test for three different planes before package. Typical applications include:

- Factory Exhaust
- Restaurant Grease Exhaust
- Low noise Industry
- Agricultural area

Engineers in Guangzhou AoZhong Fan Equipment Co.,LTD can assist you in improving the operational efficiency of the air movement in your system.

RCU Upblast Roof Fan Model Number Code:



RCU Structure

RCU Series: The product is made in aluminum alloy, which is cutting, by laser to ensure high-precision mold line. The base is aluminum alloy for one-time stretch. Driven cavity cover adopt galvanized material, which can open with hands, and convenient to daily cleaning maintenance. Different ways of motor with different transmission need to select different motor bracket. The impeller adopts laser cutting technology and die stretch forming. A different work environment needs to adopt different impeller material. Carbon steel, stainless steel and aluminum alloy impeller are optional. The surface of the impeller adopts industrial spraying. Impeller balance test grades are in strict accordance with the G4.0 ISO1940, and meet its requirements. In this series, roof blower use aluminum alloy wheel.

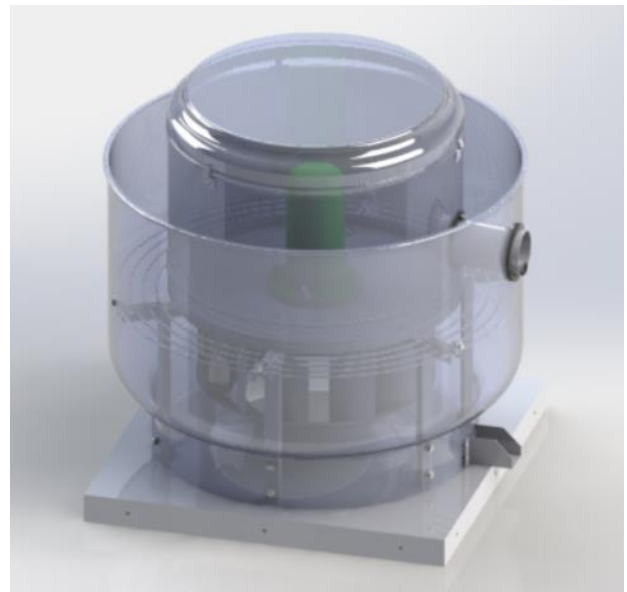
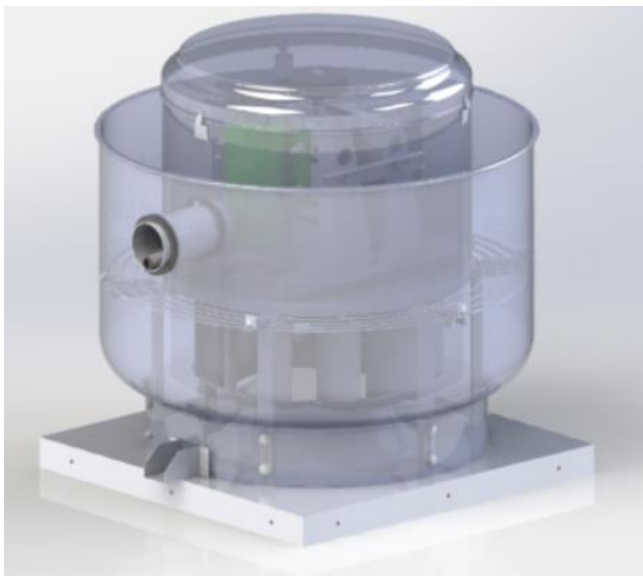


Figure 1 Module Design

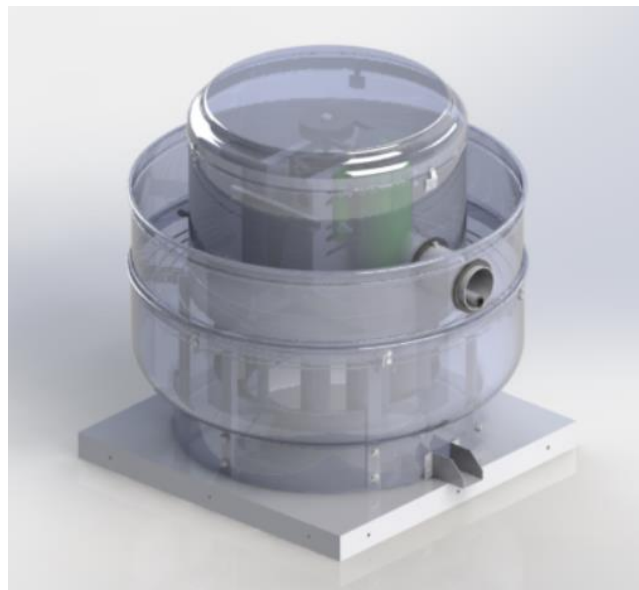


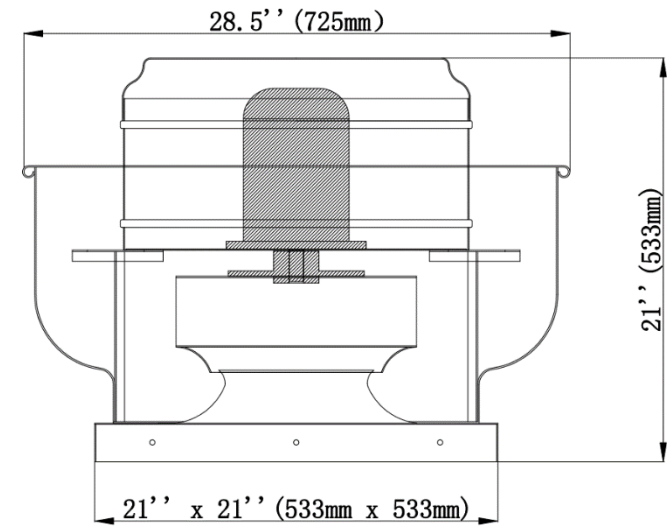
Figure 2 Integrated Design

RCU-A/B-XXXHBS Technical Data

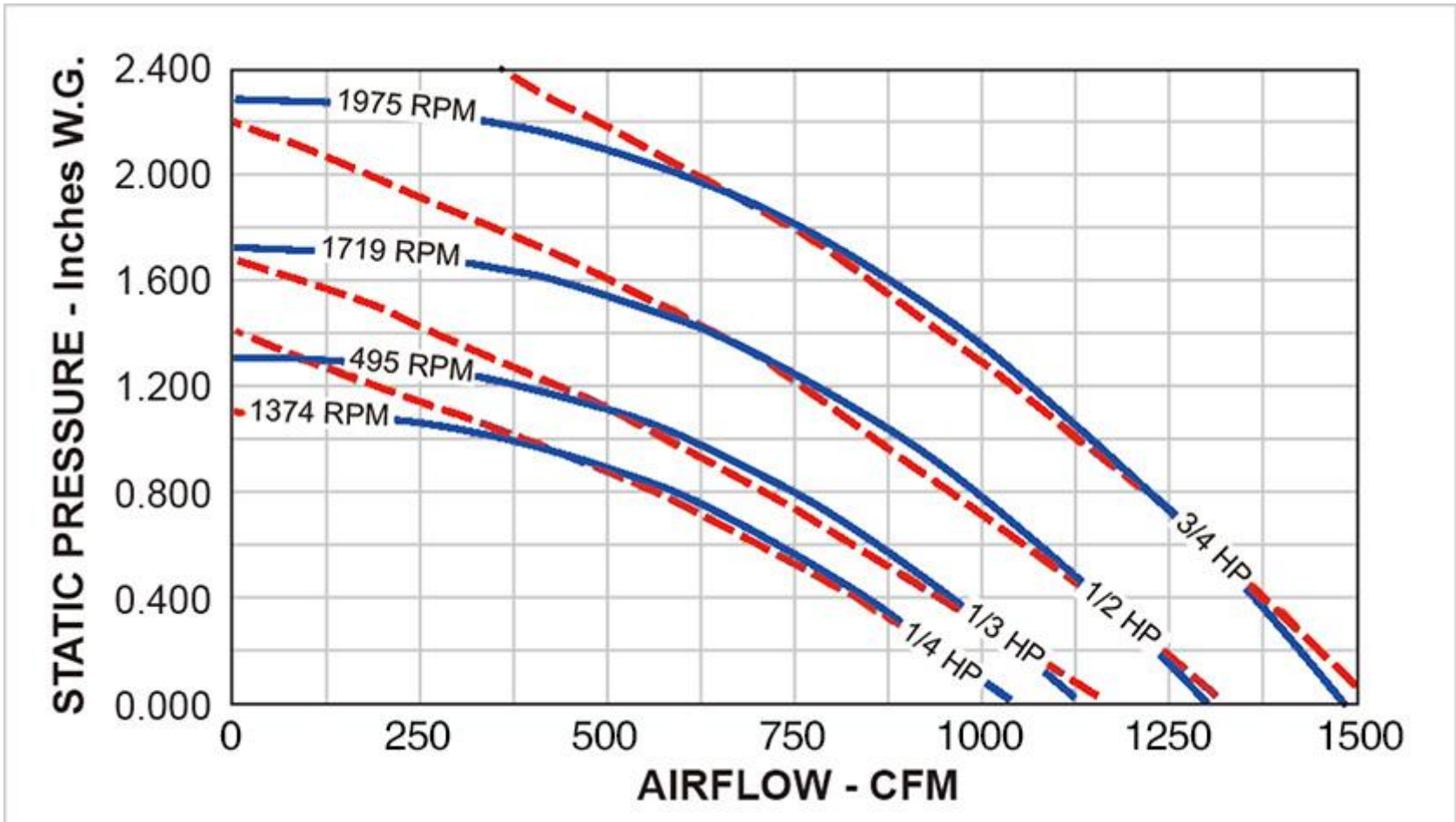
RCU-A -05HBS (Direct Drive only)

Model	Power	AC motor 1Ø	AC motor 3Ø	Fan Speed
RCU-A-05HBS	0.33HP	220V/60Hz	None	1720rpm
	0.33HP	120V/60Hz	None	

CFM	Static Pressure in Inches W.G.							
	0		0.25		0.5		0.75	
	RPM		RPM		RPM		RPM	
	Sone	BHP	Sone	BHP	Sone	BHP	Sone	BHP
788	1400		1470					
			11.4	0.3	11.9	0.34		
988	1410		1535		1755			
			12.1	0.27	13.2	0.36	15.5	0.5
1050	1440		1495		1630			
	13	0.28	13.3	0.33	14.3	0.42		
1200	1535		1688					
	14.3	0.34	15.3	0.45				
1338	1720							
	16.6	0.48						



CKS Fan has the right to change the engineering data, design and dimension without prior notice.

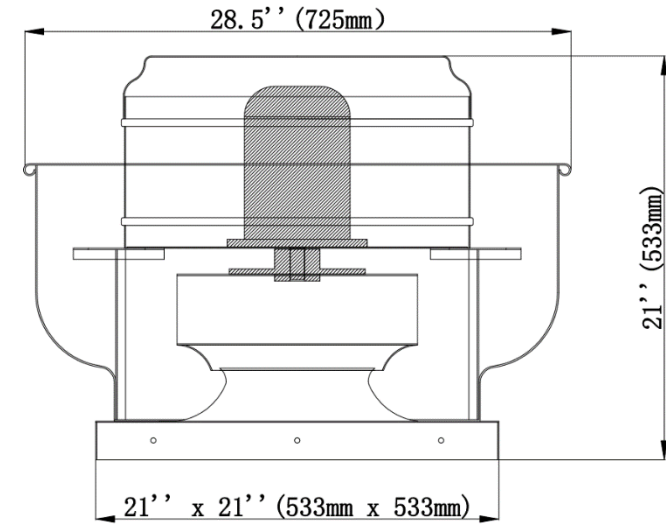


CKS Fan has the right to change the engineering data, design and dimension without prior notice.

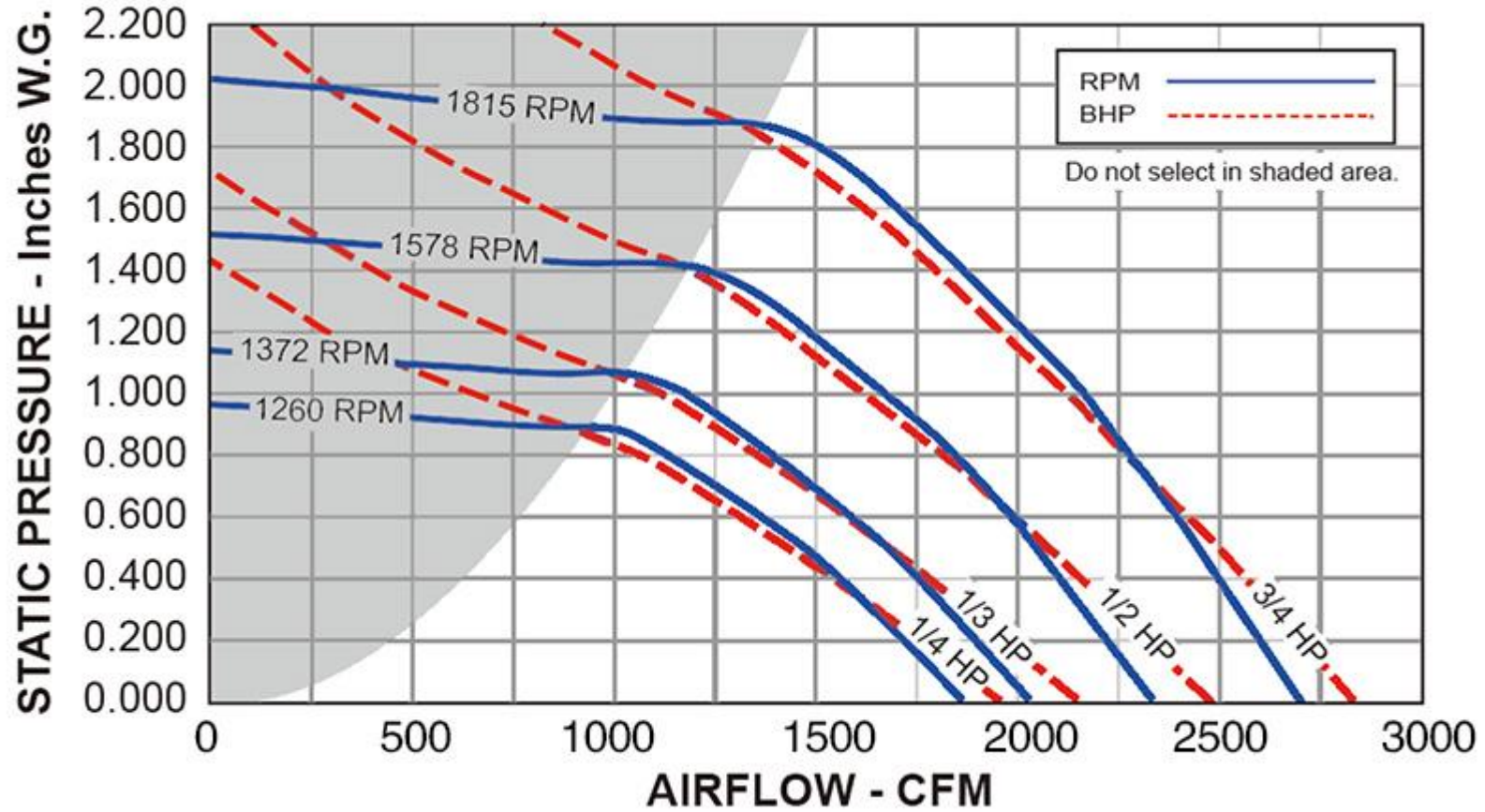
RCU-A -08HBS (Direct Drive only)

Model	Power	AC motor 1Ø	AC motor 3Ø	Fan Speed
RCU-A-08HBS	0.5HP	220V/60Hz	380V/60Hz	1720rpm
	0.5HP	120V/60Hz	230V/60Hz	

CFM	Static Pressure in Inches W.G.											
	0		0.25		0.5		0.75		1		1.25	
	RPM		RPM		RPM		RPM		RPM		RPM	
	Sone	BHP	Sone	BHP	Sone	BHP	Sone	BHP	Sone	BHP	Sone	BHP
1125					1100				1350		1420	
					9.9	0.18			13.3	0.32	14.2	0.45
1874			1372		1475		1578		1660		1750	
	13.5	0.25	14.2	0.31	15.3	0.4	15.8	0.51	15.8	0.6	16.7	0.72
2158			1454		1550		1700		1730			
	15.9	0.39	16.8	0.43	17.8	0.68	17.4	0.65				
2425			1610		1730							
	16.5	0.5	18.3	0.59								
2563			1736									
	18.6	0.71										



CKS Fan has the right to change the engineering data, design and dimension without prior notice.

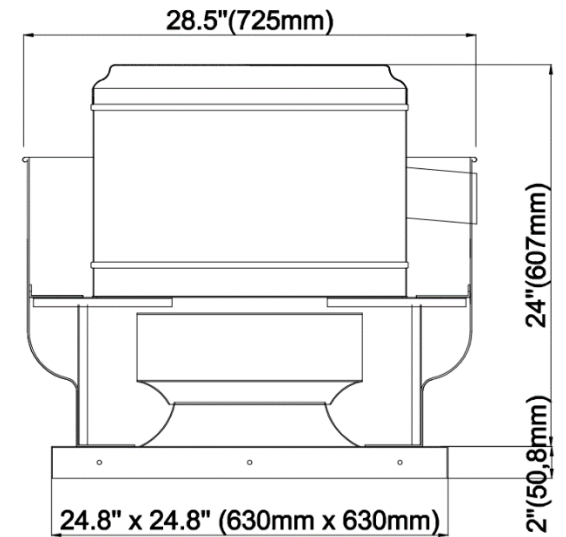


CKS Fan has the right to change the engineering data, design and dimension without prior notice.

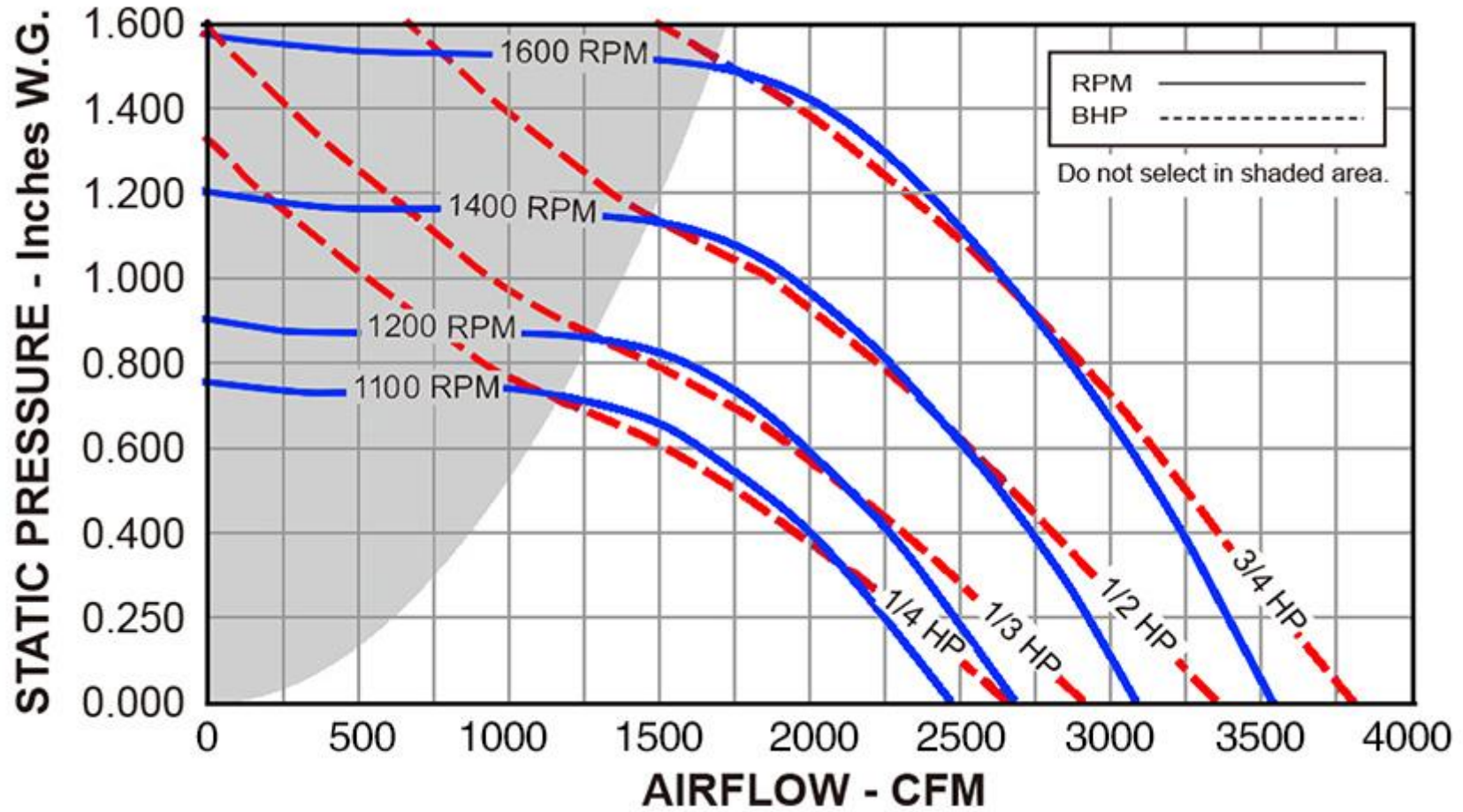
RCU-A/B-10HBS

Model	Power	AC motor 1Ø	AC motor 3Ø	Fan Speed
RCU-A/B-10HBS	0.33HP	220V/50Hz or 60Hz	380V/50Hz or 60Hz	1050RPM
	0.33HP	120V/60Hz	230V/50Hz or 60Hz	
	0.50HP	220V/50Hz or 60Hz	380V/50Hz or 60Hz	1250RPM
	0.50HP	120V/60Hz	230V/50Hz or 60Hz	
	0.75HP	220V/50Hz or 60Hz	380V/50Hz or 60Hz	1400RPM
	0.75HP	120V/60Hz	230V/50Hz or 60Hz	
	1HP	220V/50Hz or 60Hz	380V/50Hz or 60Hz	1720RPM
	1HP	120V/60Hz	230V/50Hz or 60Hz	

CFM	Static Pressure in Inches W.G.									
	0		0.25		0.5		0.75		1	
	RPM		RPM		RPM		RPM		RPM	
	Sone	BHP	Sone	BHP	Sone	BHP	Sone	BHP	Sone	BHP
1125	860									
					6.1	0.14				
1375	970									
					7.9	0.18	11	0.26	12.6	0.36
1625	970									
			8	0.15	11	0.24	12.2	0.33	14.5	0.43
1875	900									
	8.3	0.13	10.9	0.21	14	0.31	15.2	0.41		
2125	1000									
	11.6	0.2	14.4	0.29	15.2	0.39				
2375	1140									
	14.6	0.28	16.9	0.39	18.1	0.5				
2625	1300									
	18.4	0.4								

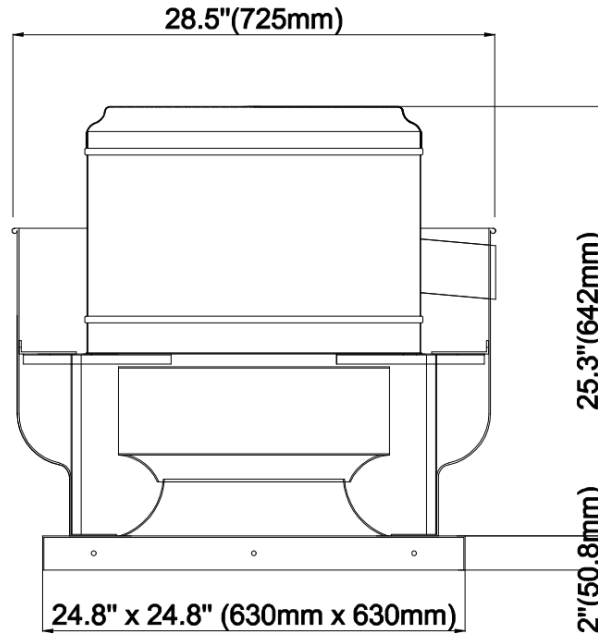


CKS Fan has the right to change the engineering data, design and dimension without prior notice.



CKS Fan has the right to change the engineering data, design and dimension without prior notice.

RCU-A/B-14HBS



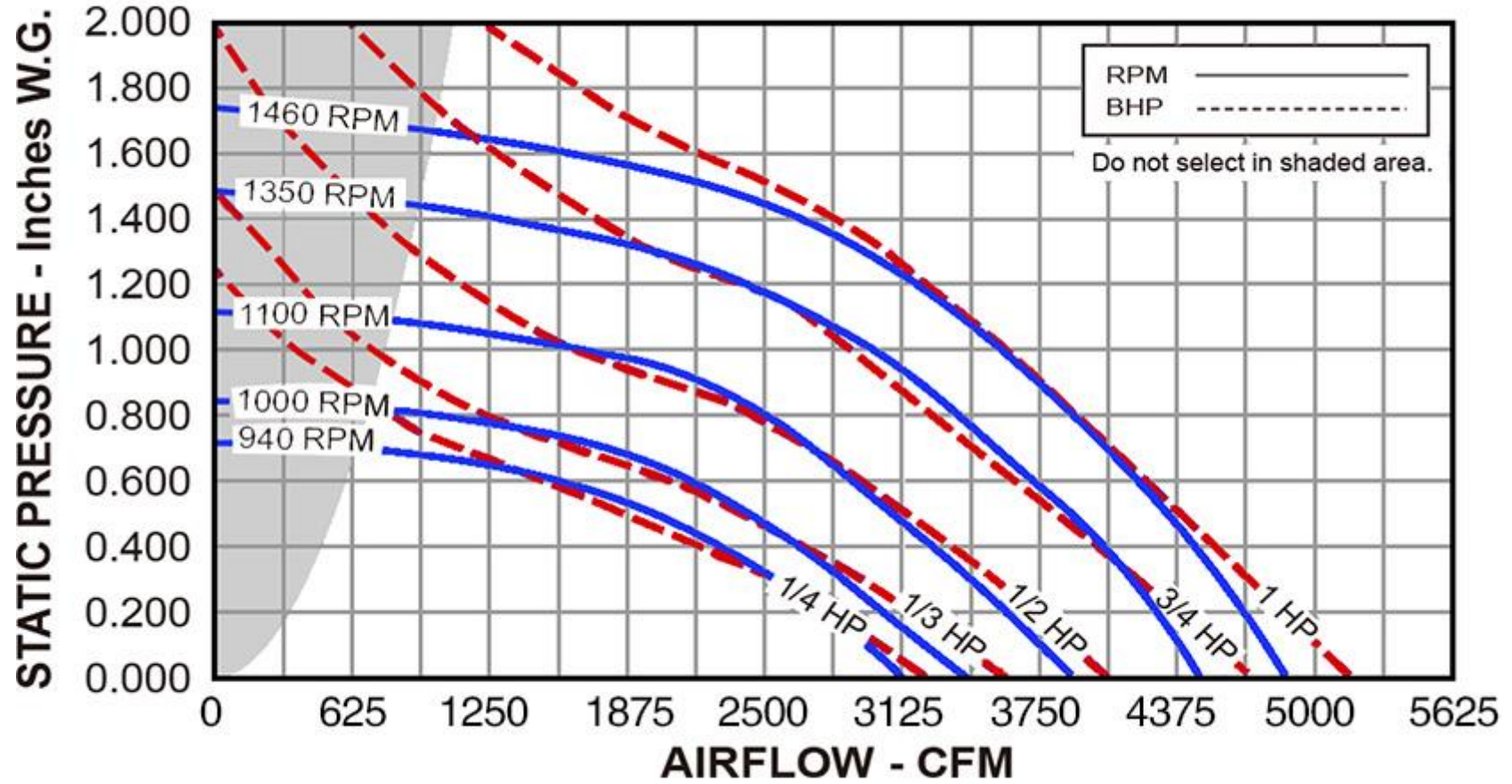
Model	Power	AC motor 1Ø	AC motor 3Ø	Fan Speed
RCU-A/B-14HBS	0.33HP	220V/50Hz or 60Hz	380V/50Hz or 60Hz	850RPM
	0.33HP	120V/60Hz	230V/50Hz or 60Hz	
	0.50HP	220V/50Hz or 60Hz	380V/50Hz or 60Hz	1000RPM
	0.50HP	120V/60Hz	230V/50Hz or 60Hz	
	0.75HP	220V/50Hz or 60Hz	380V/50Hz or 60Hz	1130RPM
	0.75HP	120V/60Hz	230V/50Hz or 60Hz	
	1.0HP	220V/50Hz or 60Hz	380V/50Hz or 60Hz	1400RPM
	1.0HP	120V/60Hz	230V/50Hz or 60Hz	
	1.5HP	220V/50Hz or 60Hz	380V/50Hz or 60Hz	1620RPM
	1.5HP	120V/60Hz	230V/50Hz or 60Hz	

CKS Fan has the right to change the engineering data, design and dimension without prior notice.

RCU Upblast Roof Fan

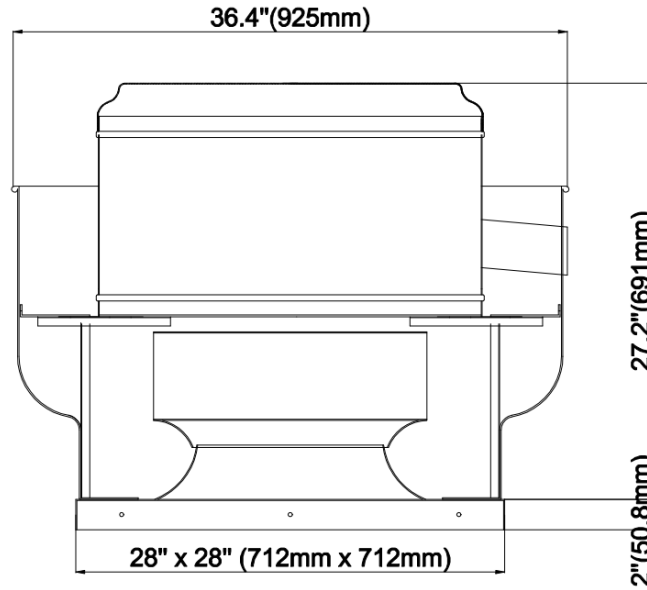
CFM	Static Pressure in Inches W.G.																	
	0.000		0.250		0.500		0.750		1.000		1.250		1.500		1.750		2.000	
	RPM		RPM		RPM		RPM		RPM		RPM		RPM		RPM		RPM	
	Sone	BHP	Sone	BHP	Sone	BHP	Sone	BHP	Sone	BHP	Sone	BHP	Sone	BHP	Sone	BHP	Sone	BHP
1375							900											
							8.2	0.23										
1625							920		1056									
							8.4	0.25	12	0.36								
1875							901		1030		1134		1245					
							8.8	0.28	12.4	0.39	14.5	0.51	15.2	0.64				
2125					831		945		1067		1134		1233		1345		1465	
					8.3	0.23	9.6	0.32	12.6	0.43	14.7	0.55	15.3	0.69	16.3	0.83	17.6	0.99
2375					864		977		1084		1188		1289		1386		1480	
					9.4	0.27	10.8	0.37	12.5	0.49	14.8	0.61	15.4	0.74	16.5	0.89	17.6	1.05
2625			812		921		1025		1125		1222		1315		1407		1495	
			9.5	0.22	10.2	0.32	13.2	0.43	13.6	0.55	14.9	0.67	15.6	0.81	16.7	0.96	17.8	1.11
2875			901		1003		1100		1192		1282		1369		1455		1539	
			10.8	0.27	12.6	0.38	14	0.5	15.9	0.62	15.8	0.75	16	0.89	17.1	1.04	18.2	1.2
3125	878		973		1066		1156		1244		1328		1410		1491		1569	
	10.1	0.23	12.4	0.33	14.3	0.45	15.4	0.57	17.5	0.7	17.3	0.84	17.1	0.98	17.5	1.13	18.6	1.29
3375	958		1045		1132		1217		1299		1378		1456		1531		1605	
	12	0.29	14.3	0.4	15.1	0.52	17.5	0.66	18.6	0.79	19.6	0.94	18.8	1.09	18.7	1.24	19.3	1.4
3625	1038		1118		1200		1279		1356		1431		1505		1577			
	14.1	0.36	15.5	0.48	18.1	0.61	18.7	0.75	19.7	0.89	21	1.04	22	1.2	21	1.36		
3875	1118		1193		1269		1344		1416		1487		1558		1626			
	15.5	0.44	19.1	0.57	19.7	0.71	20	0.85	21	1.01	22	1.16	23	1.33	24	1.49		
4125	1197		1268		1339		1410		1479		1547		1613					
	19.4	0.54	21	0.67	21	0.82	22	0.97	22	1.13	23	1.3	24	1.47				
4375	1277		1343		1411		1477		1543		1607							
	21	0.65	22	0.79	23	0.94	23	1.1	24	1.27	25	1.44						
4625	1357		1419		1483		1546		1609									
	22	0.77	24	0.91	25	1.07	25	1.24	25	1.42								
4875	1436		1496		1556		1616											
	24	0.9	25	1.06	26	1.22	27	1.4										

CKS Fan has the right to change the engineering data, design and dimension without prior notice.



CKS Fan has the right to change the engineering data, design and dimension without prior notice

RCU-A/B-16HBS



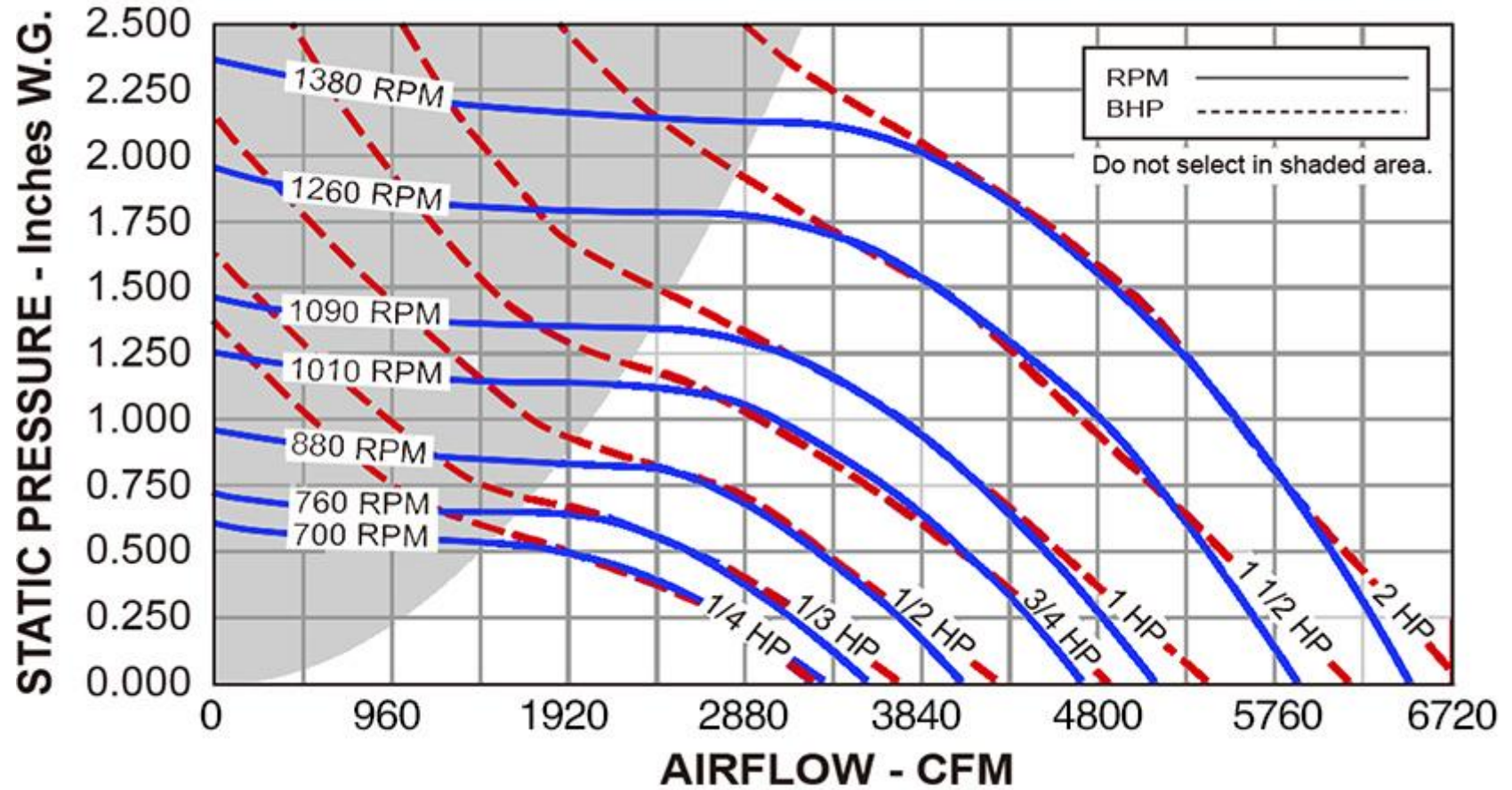
Model	Power	AC motor 1Ø	AC motor 3Ø	Fan Speed
RCU-A/B-16HBS	0.50HP	220V/50Hz or 60Hz	380V/50Hz or 60Hz	850RPM
	0.50HP	120V/60Hz	230V/50Hz or 60Hz	
	0.75HP	220V/50Hz or 60Hz	380V/50Hz or 60Hz	1000RPM
	0.75HP	120V/60Hz	230V/50Hz or 60Hz	
	1.0HP	220V/50Hz or 60Hz	380V/50Hz or 60Hz	1130RPM
	1.0HP	120V/60Hz	230V/50Hz or 60Hz	
	1.5HP	220V/50Hz or 60Hz	380V/50Hz or 60Hz	1250RPM
	1.5HP	120V/60Hz	230V/50Hz or 60Hz	
	2.0HP	220V/50Hz or 60Hz	380V/50Hz or 60Hz	1400RPM
	2.0HP	120V/60Hz	230V/50Hz or 60Hz	

CKS Fan has the right to change the engineering data, design and dimension without prior notice

RCU Upblast Roof Fan

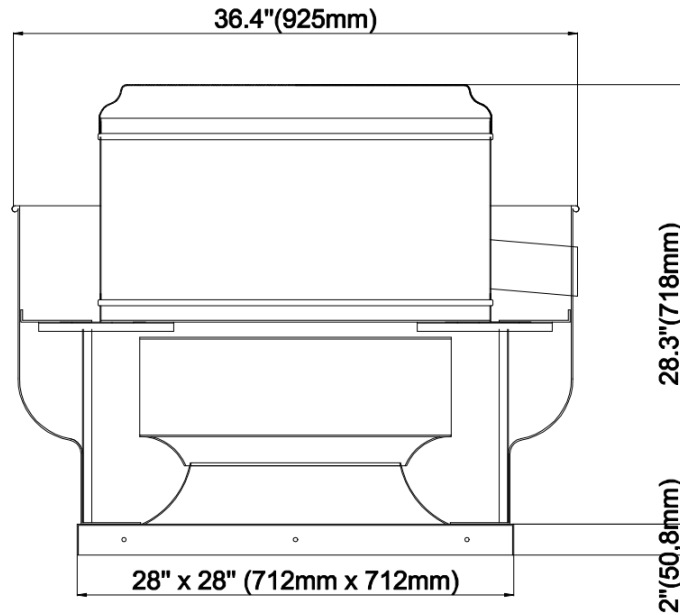
CFM	Static Pressure in Inches W.G.																					
	0.000		0.250		0.500		0.750		1.000		1.250		1.500		1.750		2.000		2.250		2.500	
	RPM		RPM		RPM		RPM		RPM		RPM		RPM		RPM		RPM		RPM		RPM	
	Sone	BHP	Sone	BHP	Sone	BHP	Sone	BHP	Sone	BHP	Sone	BHP	Sone	BHP	Sone	BHP	Sone	BHP	Sone	BHP	Sone	BHP
1728					618		757		835		970											
					6.6	0.23	9.3	0.35	11.2	0.46	12.2	0.56										
2268			556		666		785		901		1005		1096		1179		1256		1327		1395	
			6	0.17	8.2	0.29	9.9	0.45	11.6	0.62	12.8	0.78	14.8	0.93	16.4	1.07	17.8	1.2	19.2	1.34	20	1.49
2808	575		668		752		841		936		1032		1124		1210		1290		1364		1433	
	7.4	0.17	9.4	0.28	10.3	0.39	11.4	0.55	11.7	0.74	13.4	0.95	15.8	1.16	17.3	1.36	18.8	1.56	20	1.75	21	1.92
3348	705		784		857		927		1000		1078		1158		1238		1317		1391		1463	
	11.2	0.29	12.2	0.43	12.8	0.55	13	0.7	12.7	0.88	14.4	1.09	16.8	1.33	18.2	1.58	19.6	1.84	21	2.09	22	2.34
3888	836		909		970		1029		1089		1152		1217		1285		1353		1422		1490	
	13.9	0.46	14.8	0.63	14.5	0.77	15	0.92	16.4	1.1	17.9	1.3	18.7	1.53	19.7	1.79	21	2.07	22	2.36	23	2.66
4428	967		1033		1088		1140		1191		1245		1298		1354		1412		1470		1530	
	15.6	0.69	17.3	0.88	17.7	1.05	19.3	1.21	19.9	1.39	20	1.59	21	1.81	22	2.06	23	2.33	23	2.62	24	2.94
4968	1098		1158		1209		1256		1302		1348		1394		1442		1491		1540			
	19	0.98	21	1.21	22	1.39	22	1.58	23	1.76	23	1.97	24	2.19	24	2.43	25	2.69	26	2.97		
5508	1229		1284		1331		1374		1417		1458		1499		1541							
	24	1.35	24	1.6	25	1.81	25	2.02	26	2.22	27	2.44	27	2.66	27	0.9						
6048	1359		1411		1455		1495		1534		1572											
	27	1.79	28	2.08	28	2.32	29	2.55	29	2.77	30	2.99										

CKS Fan has the right to change the engineering data, design and dimension without prior notice



CKS Fan has the right to change the engineering data, design and dimension without prior notice

RCU-A/B-18HBS

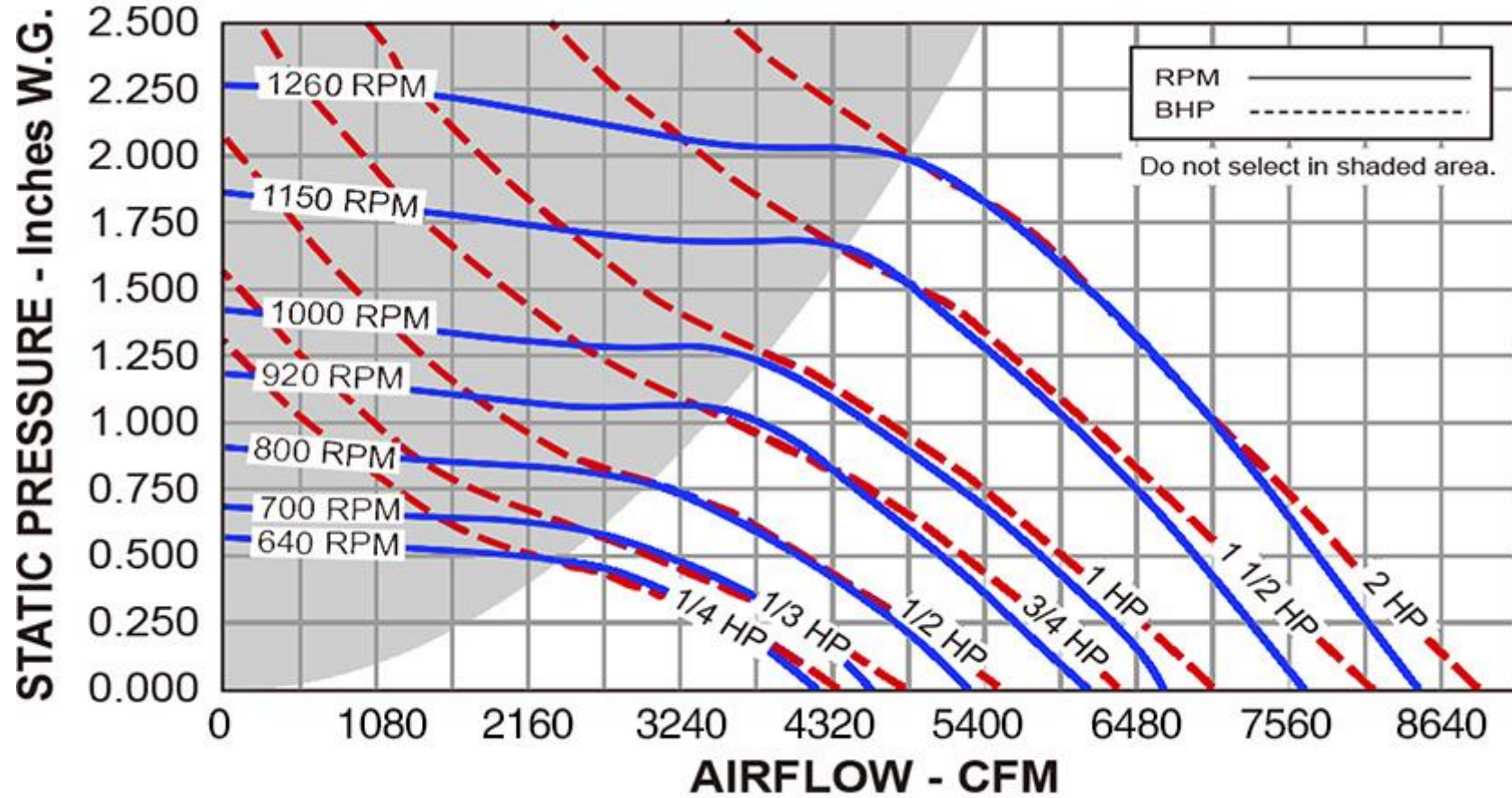


Model	Power	AC motor 1Ø	AC motor 3Ø	Fan Speed
RCU-A/B-18HBS	0.75HP	220V/50Hz or 60Hz	380V/50Hz or 60Hz	700RPM
	0.75HP	120V/60Hz	230V/50Hz or 60Hz	
	1.0HP	220V/50Hz or 60Hz	380V/50Hz or 60Hz	850RPM
	1.0HP	120V/60Hz	230V/50Hz or 60Hz	
	1.5HP	220V/50Hz or 60Hz	380V/50Hz or 60Hz	1000RPM
	1.5HP	120V/60Hz	230V/50Hz or 60Hz	
	2.0HP	220V/50Hz or 60Hz	380V/50Hz or 60Hz	1250RPM
	2.0HP	120V/60Hz	230V/50Hz or 60Hz	
	3.0HP	None	380V/50Hz or 60Hz	1420RPM
	3.0HP		230V/50Hz or 60Hz	

CKS Fan has the right to change the engineering data, design and dimension without prior notice

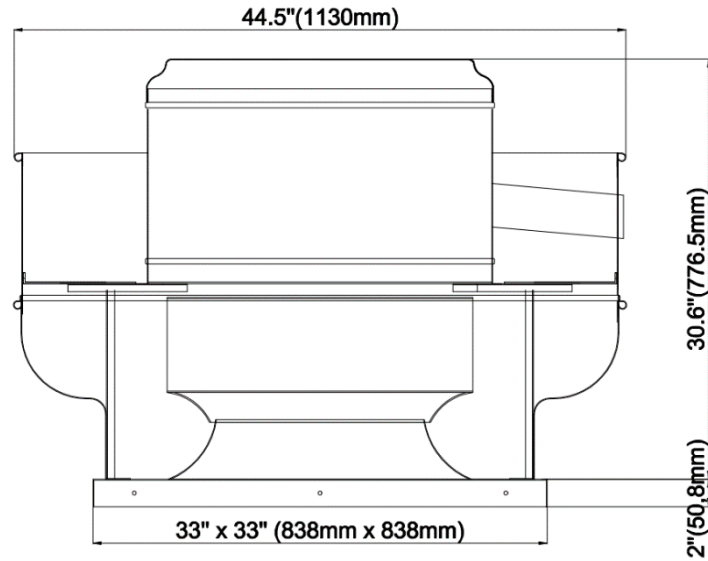
CFM	Static Pressure in Inches W.G.																	
	0.000		0.250		0.500		0.750		1.000		1.250		1.500		1.750		2.000	
	RPM		RPM		RPM		RPM		RPM		RPM		RPM		RPM		RPM	
	Sone	BHP	Sone	BHP	Sone	BHP	Sone	BHP	Sone	BHP	Sone	BHP	Sone	BHP	Sone	BHP	Sone	BHP
2160					537		656											
					5.4	0.25	8.3	0.41										
2835					586		685		778		867		952					
					6.7	0.34	9.1	0.5	10.9	0.69	13	0.9	14.8	1.12				
3510			563		655		739		819		895		971		1044		1114	
			7.5	0.3	9.4	0.46	10.1	0.64	11.8	0.83	13.6	1.05	15.1	1.29	16.5	1.54	18.6	1.8
4185	566		652		733		807		878		945		1011		1075			
	8.3	0.28	10.4	0.45	11.2	0.63	12.2	0.82	13.2	1.03	14.7	1.26	15.9	1.5	17.3	1.76		
4860	671		745		817		884		948		1009		1067					
	11.7	0.45	12.4	0.64	13.6	0.84	14.7	1.06	16	1.29	16.6	1.53	17.5	1.78				
5535	776		841		905		966		1024		1080							
	14.1	0.67	16	0.88	16.6	1.11	17.6	1.35	18.1	1.6	19.3	1.86						
6210	882		938		996		1052		1106									
	17.4	0.95	19.4	1.19	19.6	1.44	20	1.71	22	1.98								
6885	987		1038		1090													
	21	1.31	22	1.56	23	1.84												
7560	1092																	
	25	1.74																

CKS Fan has the right to change the engineering data, design and dimension without prior notice.



CKS Fan has the right to change the engineering data, design and dimension without prior notice

RCU-B-20HBS

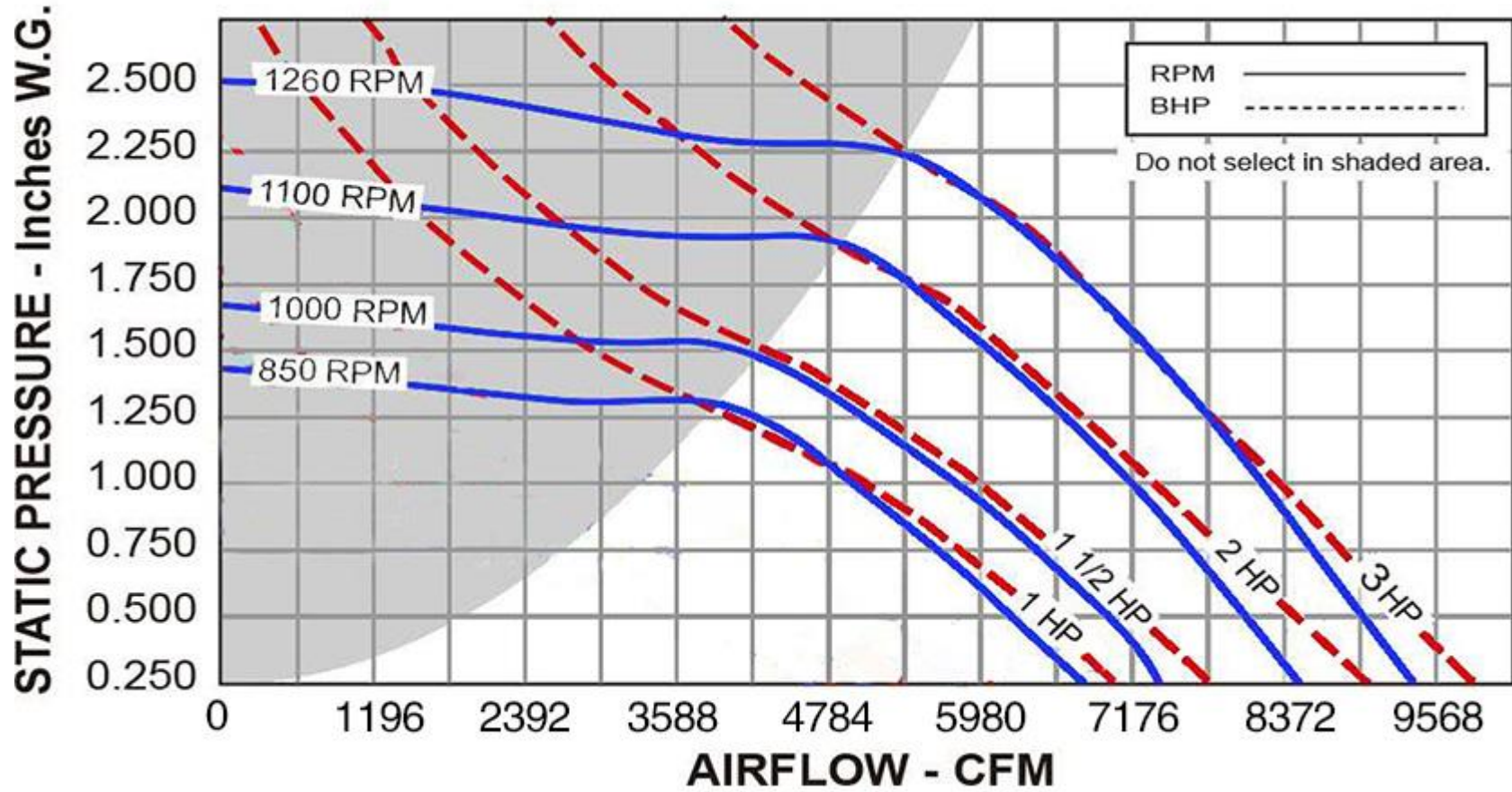


Model	Power	AC motor 1Ø	AC motor 3Ø	Fan Speed
RCU-B-20HBS	1.0HP	220V/50Hz or 60Hz	380V/50Hz or 60Hz	800RPM
	1.0HP	120V/60Hz	230V/50Hz or 60Hz	
	1.5HP	220V/50Hz or 60Hz	380V/50Hz or 60Hz	950RPM
	1.5HP	120V/60Hz	230V/50Hz or 60Hz	
	2.0HP	220V/50Hz or 60Hz	380V/50Hz or 60Hz	1100RPM
	2.0HP	120V/60Hz	230V/50Hz or 60Hz	
	3.0HP	None	380V/50Hz or 60Hz	1260RPM
	3.0HP		230V/50Hz or 60Hz	

CKS Fan has the right to change the engineering data, design and dimension without prior notice

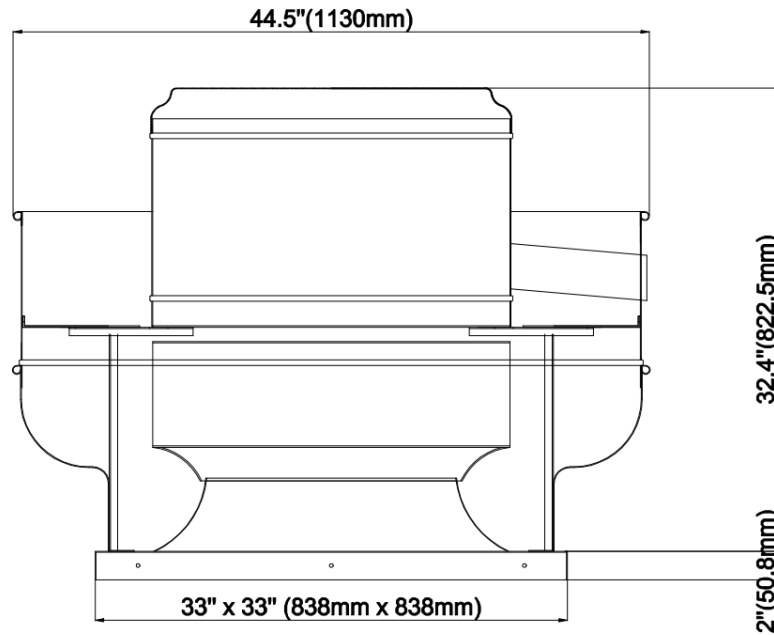
CFM	Static Pressure in Inches W.G.																	
	0.000		0.250		0.500		0.750		1.000		1.250		1.500		1.750		2.000	
	RPM		RPM		RPM		RPM		RPM		RPM		RPM		RPM		RPM	
	Sone	BHP	Sone	BHP	Sone	BHP	Sone	BHP	Sone	BHP	Sone	BHP	Sone	BHP	Sone	BHP	Sone	BHP
2574					537		656											
					5.4	0.29	8.3	0.46										
3432					586		685		778		867		952					
					6.7	0.38	9.1	0.56	10.9	0.78	13	1.02	14.8	1.27				
4290			563		655		739		819		895		971		1044		1114	
			7.5	0.34	9.4	0.52	10.1	0.72	11.8	0.94	13.6	1.19	15.1	1.46	16.5	1.74	18.6	2.03
5005	566		652		733		807		878		945		1011		1075			
	8.3	0.32	10.4	0.51	11.2	0.72	12.2	0.93	13.2	1.16	14.7	1.42	15.9	1.7	17.3	1.98		
5792	671		745		817		884		948		1009		1067					
	11.7	0.51	12.4	0.72	13.6	0.95	14.7	1.2	16	1.46	16.6	1.73	17.5	2.01				
6578	776		841		905		966		1024		1080							
	14.1	0.75	16	1	16.6	1.25	17.6	1.53	18.1	1.8	19.3	2.1						
7436	882		938		996		1052		1106									
	17.4	1.07	19.4	1.35	19.6	1.63	20	1.93	22	2.24								
8223	987		1038		1090													
	21	1.48	22	1.76	23	2.08												
9009	1092																	
	25	1.97																

CKS Fan has the right to change the engineering data, design and dimension without prior notice.



CKS Fan has the right to change the engineering data, design and dimension without prior notice.

RCU-B-24HBS

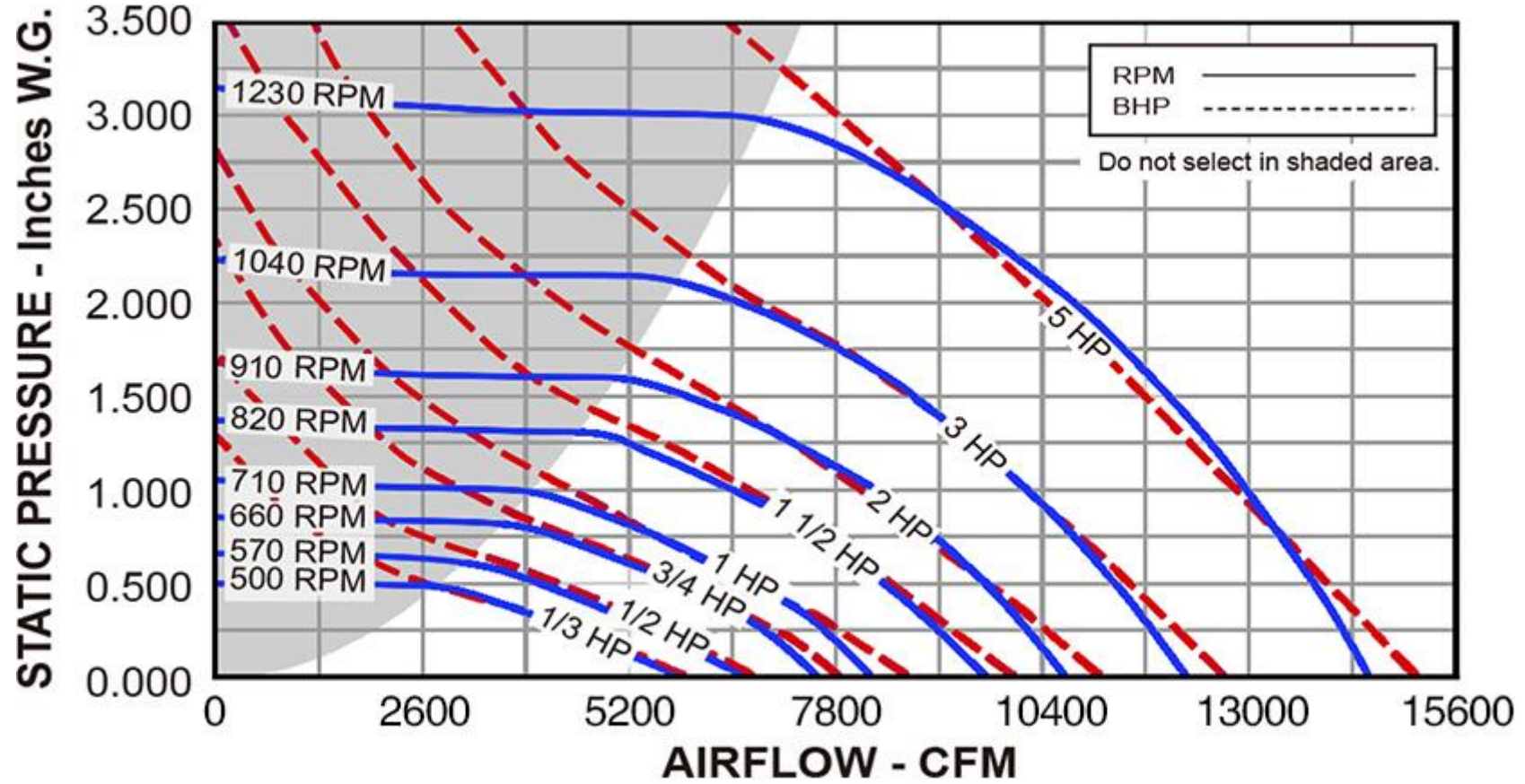


Model	Power	AC motor 1Ø	AC motor 3Ø	Fan Speed
RCU-B-24HBS	1.5HP	220V/50Hz or 60Hz	380V/50Hz or 60Hz	760RPM
	1.5HP	120V/60Hz	230V/50Hz or 60Hz	
	2.0HP	220V/50Hz or 60Hz	380V/50Hz or 60Hz	860RPM
	2.0HP	120V/60Hz	230V/50Hz or 60Hz	
	3.0HP	None	380V/50Hz or 60Hz	960RPM
	3.0HP		230V/50Hz or 60Hz	

CKS Fan has the right to change the engineering data, design and dimension without prior notice

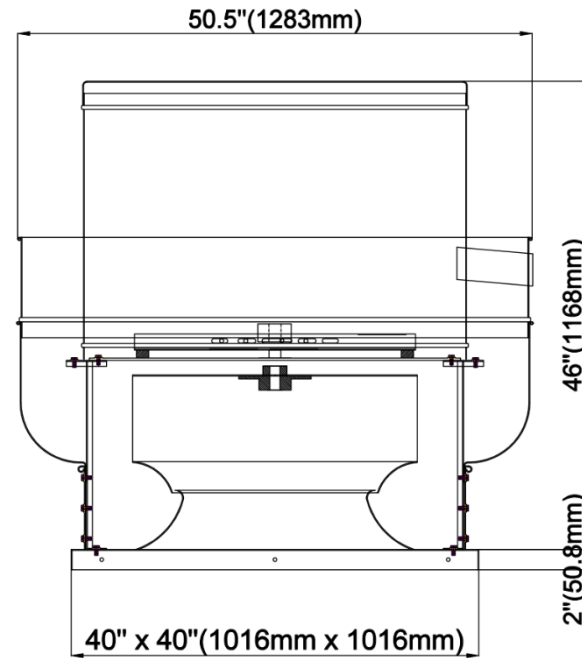
CFM	Static Pressure in Inches W.G.																							
	0.00		0.25		0.50		0.75		1.00		1.25		1.50		1.75		2.00		2.25		2.50		2.75	
	RPM		RPM		RPM		RPM		RPM		RPM		RPM		RPM		RPM		RPM		RPM		RPM	
	Sone	BHP	Sone	BHP	Sone	BHP	Sone	BHP	Sone	BHP	Sone	BHP	Sone	BHP	Sone	BHP	Sone	BHP	Sone	BHP	Sone	BHP	Sone	BHP
3380			413		505																			
			5.30	0.23	7.30	0.41																		
4680	413		502		581		650		712		771													
	6.40	0.20	8.20	0.41	9.30	0.64	11.50	0.89	13.40	1.15	14.70	1.44												
5980	530		602		668		729		785		838		887		934		979		1024					
	9.60	0.43	11.30	0.69	12.90	0.97	13.80	1.26	14.90	1.57	15.80	1.90	16.80	2.24	18.10	2.59	19.80	2.96	22.00	3.36				
7280	648		708		764		817		868		915		961		1004		1045		1084		1124		1161	
	13.40	0.79	14.70	1.10	16.00	1.43	16.30	1.77	17.30	2.13	17.50	2.50	19.10	2.88	21.00	3.28	23.00	3.68	24.00	4.09	27.00	4.53	29.00	4.97
8580	766		818		866		912		957		1000		1042		1083		1121							
	17.00	1.30	18.00	1.67	18.10	2.05	19.20	2.44	19.40	2.85	21.00	3.27	23.00	3.70	24.00	4.14	26.00	4.59						
9880	884		930		972		1013		1052		1092		1130											
	19.80	2.00	22.00	2.42	22.00	2.85	23.00	3.29	25.00	3.75	27.00	4.22	27.00	4.70										
11180	1002		1042		1081		1117		1153															
	25.00	2.91	27.00	3.39	28.00	3.87	29.00	4.37	31.00	4.87														
12480	1119		1156																					
	32.00	4.06	35.00	4.59																				

CKS Fan has the right to change the engineering data, design and dimension without prior notice.



CKS Fan has the right to change the engineering data, design and dimension without prior notice.

RCU-B-28HBS



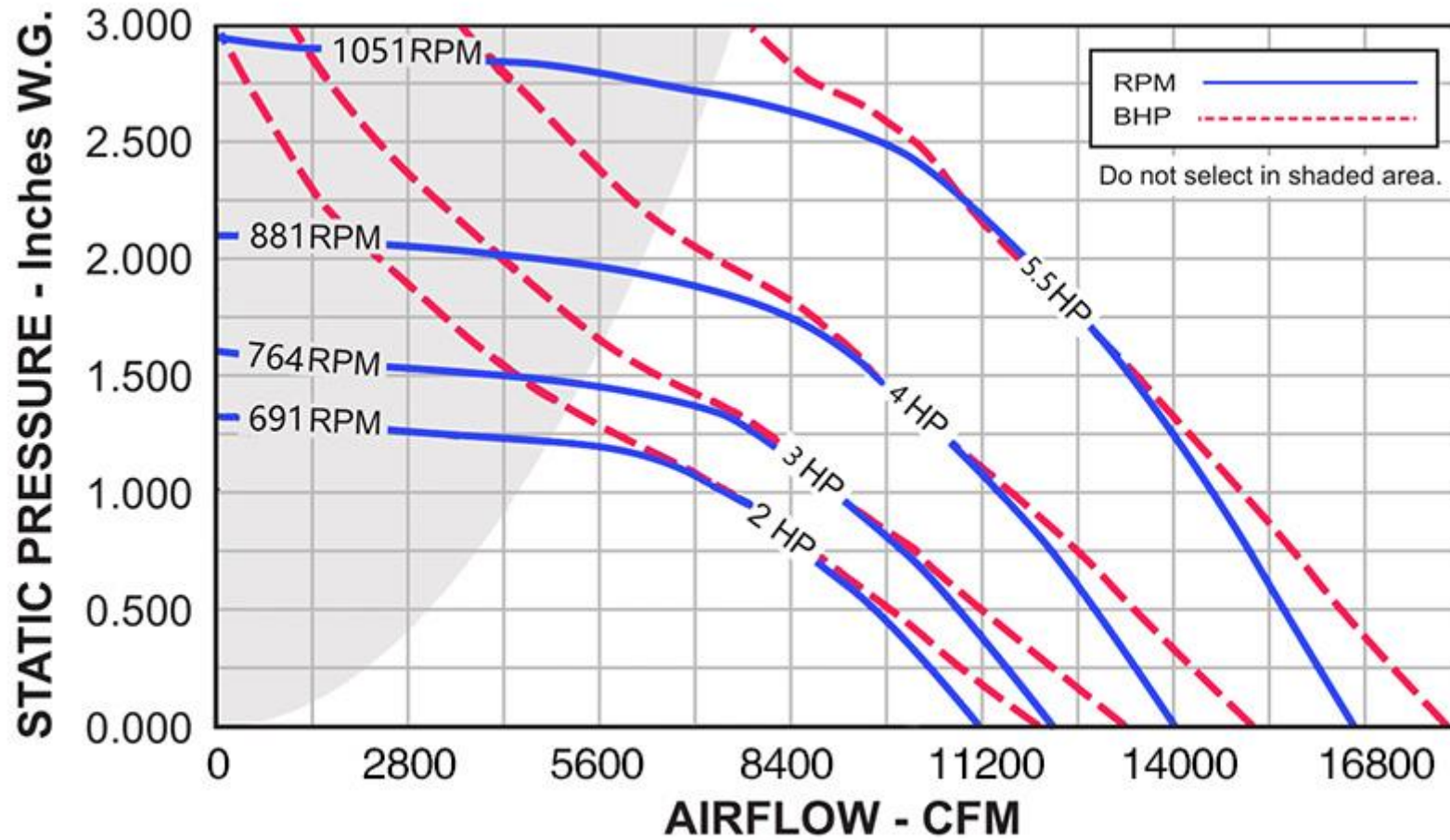
Model	Power	AC motor 1Ø	AC motor 3Ø	Fan Speed
RCU-B-28HBS	3.0HP	None	380V/50Hz or 60Hz	750RPM
	3.0HP		230V/50Hz or 60Hz	
	4.0HP	None	380V/50Hz or 60Hz	850RPM
	4.0HP		230V/50Hz or 60Hz	
	5.5HP	None	380V/50Hz or 60Hz	950RPM
	5.5HP		230V/50Hz or 60Hz	

CKS Fan has the right to change the engineering data, design and dimension without prior notice

RCU Upblast Roof Fan

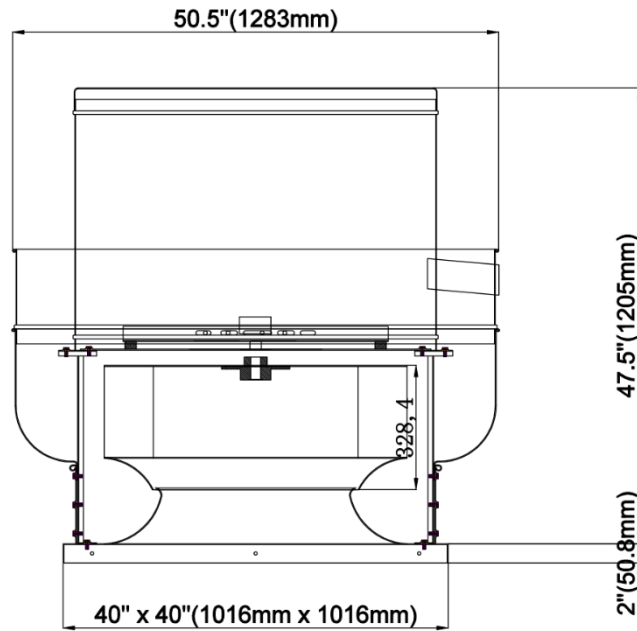
CFM	Static Pressure in Inches W.G.																					
	0.000		0.250		0.500		0.750		1.000		1.250		1.500		1.750		2.000		2.250		2.500	
	RPM		RPM		RPM		RPM		RPM		RPM		RPM		RPM		RPM		RPM		RPM	
	Sone	BHP	Sone	BHP	Sone	BHP	Sone	BHP	Sone	BHP	Sone	BHP	Sone	BHP	Sone	BHP	Sone	BHP	Sone	BHP	Sone	BHP
6783					650		705		757		807		867		907							
					9.7	1.12	10.6	1.43	12.2	1.81	13.7	2.29	15.1	2.71	16.4	3.18						
8134			650		707		756		802		846		888		931		972		1013		1055	
			11.2	0.98	11.8	1.43	12.6	1.83	13.6	2.31	14.8	2.8	15.9	3.22	17	3.76	18.3	4.23	19.4	4.99	21	5.34
9496	670		719		767		812		853		893		932		969		1006					
	13.2	0.98	13.7	1.4	13.8	1.89	15.2	2.39	15.9	2.89	16.1	3.43	17.1	3.91	19.1	4.5	19.8	5.23				
10853	744		787		830		872		909		946		981		1015							
	14.6	1.45	16.3	1.92	17	2.45	17	3.01	18.2	3.63	19.3	4.07	21	4.87	21	5.23						
12209	819		857		895		932		968		1002											
	17.4	2.01	18.9	2.56	20	3.01	19	3.82	22	4.45	23	5.2										
13580	893		923		962		996		1029													
	20	2.8	22	3.4	23	3.98	24	4.67	25	5.33												
14924	967		998		1030																	
	26	3.78	26	4.45	27	4.98																
16282	1045																					
	29	4.9																				

CKS Fan has the right to change the engineering data, design and dimension without prior notice



CKS Fan has the right to change the engineering data, design and dimension without prior notice

RCU-B-32HBS

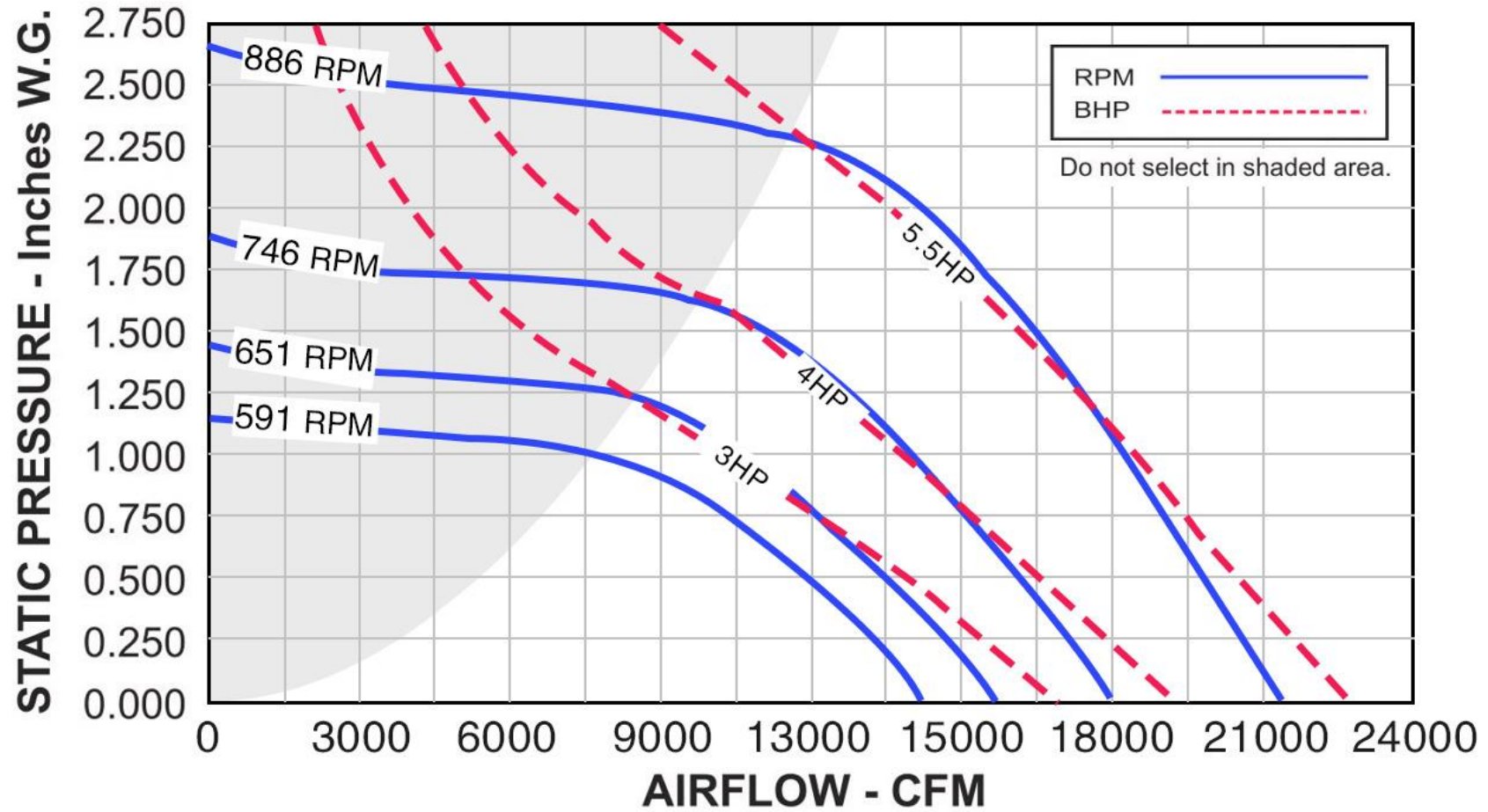


Model	Power	AC motor 1Ø	AC motor 3Ø	Fan Speed
RCU-B-32HBS	4.0HP	None	380V/50Hz or 60Hz	650RPM
	4.0HP		230V/50Hz or 60Hz	
	5.5HP	None	380V/50Hz or 60Hz	750RPM
	5.5HP		230V/50Hz or 60Hz	
	7.5HP	None	380V/50Hz or 60Hz	850RPM
	7.5HP		230V/50Hz or 60Hz	

CKS Fan has the right to change the engineering data, design and dimension without prior notice

CFM	Static Pressure in Inches W.G.																			
	0.000		0.250		0.500		0.750		1.000		1.250		1.500		1.750		2.000		2.250	
	RPM		RPM		RPM		RPM		RPM		RPM		RPM		RPM		RPM		RPM	
	Sone	BHP	Sone	BHP	Sone	BHP	Sone	BHP	Sone	BHP	Sone	BHP	Sone	BHP	Sone	BHP	Sone	BHP	Sone	BHP
8730					500		555		607		657		707		757					
					9.7	1.5	10.6	1.9	12.2	2.9	13.7	3.8	15.1	4.5	16.4	5.3				
10500			503		557		606		652		696		738		781		822		863	
			11.2	1.6	11.8	2.1	12.6	3	13.6	3.9	14.8	4.5	15.9	5.6	17	6.2	18.3	6.7	19.4	6.9
12225	520		569		617		662		703		743		782		819		855			
	13.2	1.4	13.7	2.1	13.8	3.1	15.2	4.3	15.9	3.6	16.1	5.6	17.1	6.2	19.1	6.4	19.8	6.8		
13950	594		637		680		721		759		796		831		865					
	14.6	2.3	16.3	3.21	17	4.4	17	4.9	18.2	6.5	19.3	6.3	21	6.7	21	6.7				
15759	669		707		745		782		818											
	17.4	3.3	18.9	4.3	20	5.2	19	6.3	22	6.5										
17475	743		777		812		846													
	20	4.78	22	5.3	23	6.5	24	6.8												
19200	817		848		880															
	26	6.12	26	6.67	27	7														
21000	891																			
	29	7.01																		

CKS Fan has the right to change the engineering data, design and dimension without prior notice



CKS Fan has the right to change the engineering data, design and dimension without prior notice

RCU Notes

- Please check all the parts of the body in details and make sure whether there is damage inside or not. It is because the fan may be damage during the transportation. If any, it should be repaired before it installs
- The motor and impeller should connect properly, and its protection level is IP55, insulation class is F.
- Please do check the fan and duct and ensure that there are no obstructions to hinder the rotation. If any, it should be cleared before starting
- Running in a given value and the fan should be rotate in a given direction
- If any unexpected sound and strenuous vibration occurred, please switch off the blower and repair the breakdown before it uses.
- The fan cannot bear the weight of duct and it needs to provide an extra bearing frame to bearing.

General Questions

Did not rotate

- Wrong Voltage
- Power shut down or wrong wiring
- Overload protection
- Fuse burn-out.
- Loose of pulley.
- Failure of belt

Limited Air Volume

- Wrong rotate direction.
- The real air speed is lower than expected
- Static pressure is too much
- Restricted Inlet or Outlet
- Blocked Inlet or Outlet

Too much Air Volume

- The real air speed is higher than expected
- Static pressure is too less
- The blower is not installed in the right position

Company Introduction

CKS Fan Global Industry is China based business owned and operated by its management team. We specialize in air movement and have experience gained more than ten years of operation with worldwide predecessors. We service the ventilation equipment needs of customers ranging from HVAC through mining, manufacturing, construction, and agriculture as well as retail end users include Tianjin, Suzhou and California American retail stores. We build our products in state of the art facilities in Guangzhou, WuHan and DeQing. We adapt ISO9001 quality system to ensure our customers are using best products.

Capabilities and Services

1. Fan and Blower design and manufacture
2. Fully performance tested products and published data
3. In-house design engineering team
4. Scale and capacity to handle any size project
5. Servicing overseas markets with built products and OEM supply
6. Sales and after sales support teams



Guangzhou

Tel: +86 (020) 87481162

Fax: +86 (020) 87481612

China

Certification:



Guangzhou AoZhong Fan Equipment Co.,LTD

