

Guangzhou AoZhong Fan Equipment Co.,LTD

CKS FangYuan Industry



SDZ Makeup Air Unit

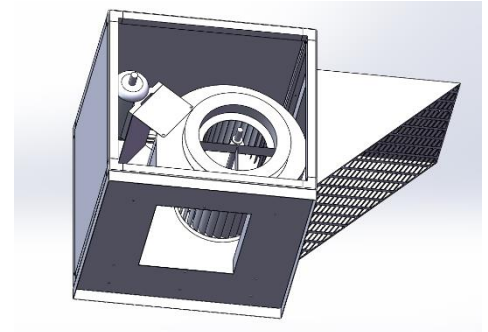
Roof Supply Fan

SDZ Makeup Air Unit (Roof Supply Fan)

CKS Fang Yuan Industry SDZ Makeup Air unit is designed to provide efficient and reliable operation for commercial and extractive industry. Our products are manufactured with state of the art laser, forming, spinning and welding equipment and ensure our quality control testing to ensure trouble free start-up. Our SDZ Makeup Air units are including industry leading design features to ensure your ventilation equipment has the latest technologies available

Main feature with SDZ Makeup Air Unit:

- Full mold, galvanized sheet
- Technology centrifugal impeller with higher efficiency and lower noise
- Compact design, easy to install
- It is designed for direct connection
- Chinese Energy Saving label
- ISO9001:2000 controllable standard

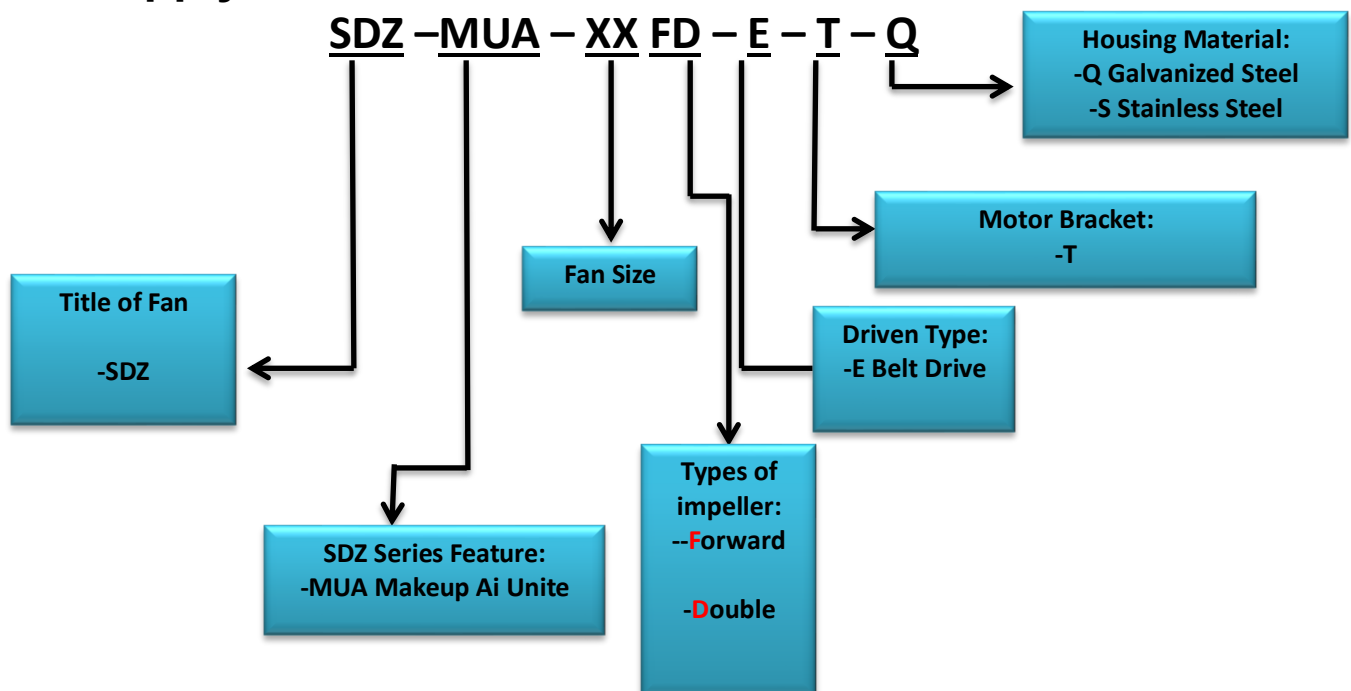


Every SDZ Makeup Air unit has been test for three different planes before package. Typical applications include:

- Factory Supply
- Restaurant Supply
- Low noise Industry
- Agricultural area

Engineers in Guangzhou AoZhong Fan Equipment Co.,LTD can assist you in improving the operational efficiency of the air movement in your system.

SDZ Supply Fan Model Number Code



SDZ-MUA-XXFD Structure

SDZ-MUA Series: The product is made in carbon steel with double-inlet wheel, which is cutting, by laser to ensure high-precision mold line. Driven cavity cover adopt galvanized material, which can open with hands, and convenient to daily cleaning maintenance. Different ways of motor with different transmission need to select different motor bracket. The impeller adopts laser cutting technology and die stretch forming. A different work environment needs to adopt different impeller material. Carbon steel, stainless steel and aluminum alloy impeller are optional.. Impeller balance test grades are in strict accordance with the G4.0 ISO1940, and meet its requirements.

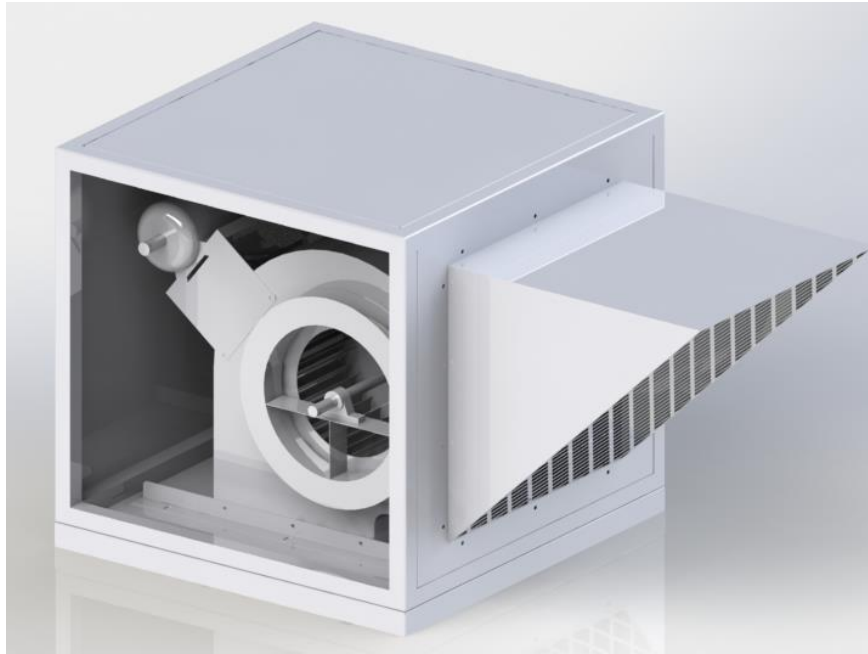
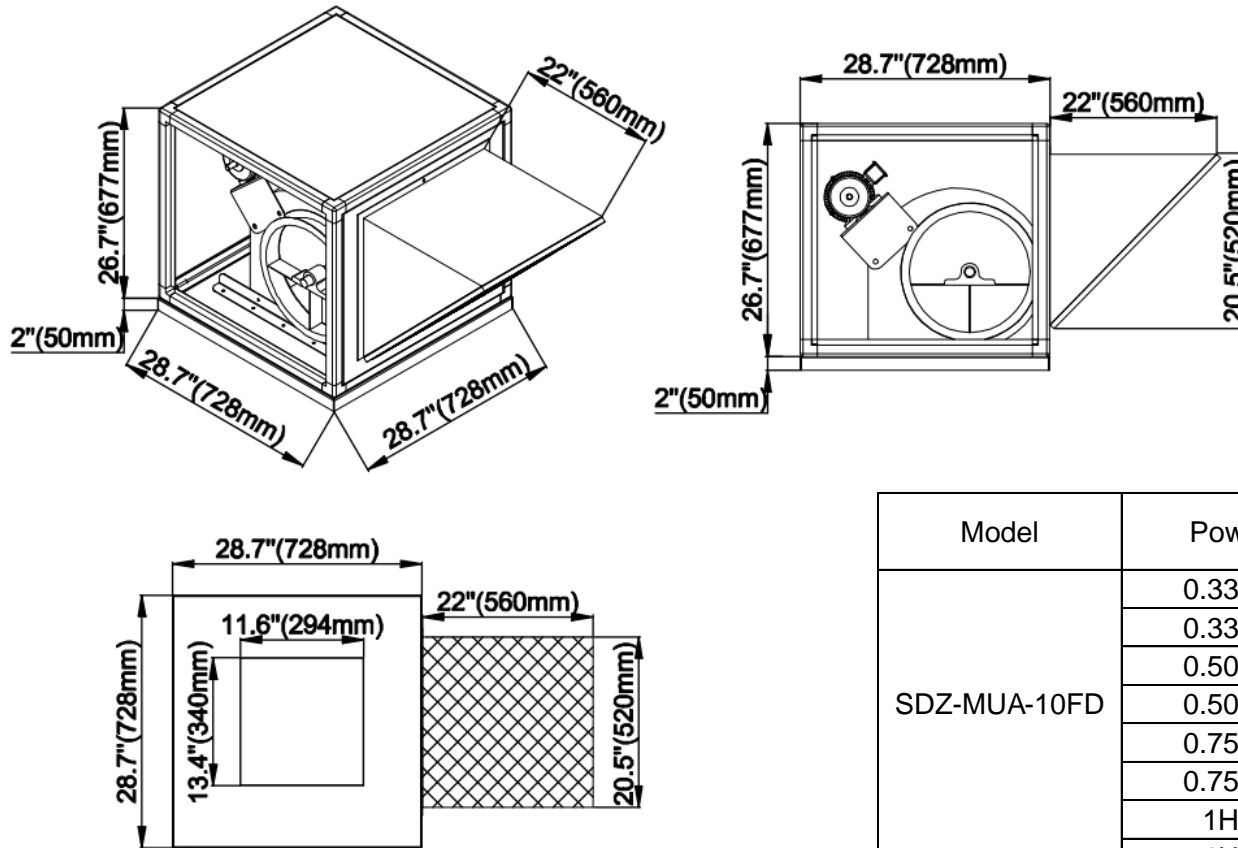


Figure 1 Belt Drive

SDZ-MUA-XXFD Technical Data

SDZ-MUA-10FD



Model	Power	AC motor 1Ø	AC motor 3Ø
SDZ-MUA-10FD	0.33HP	220V/60Hz	380V/60Hz
	0.33HP	120V/60Hz	230V/60Hz
	0.50HP	220V/60Hz	380V/60Hz
	0.50HP	120V/60Hz	230V/60Hz
	0.75HP	220V/60Hz	380V/60Hz
	0.75HP	120V/60Hz	230V/60Hz
	1HP	220V/60Hz	380V/60Hz
	1HP	120V/60Hz	230V/60Hz

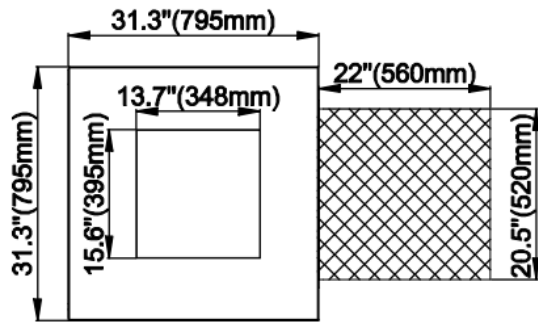
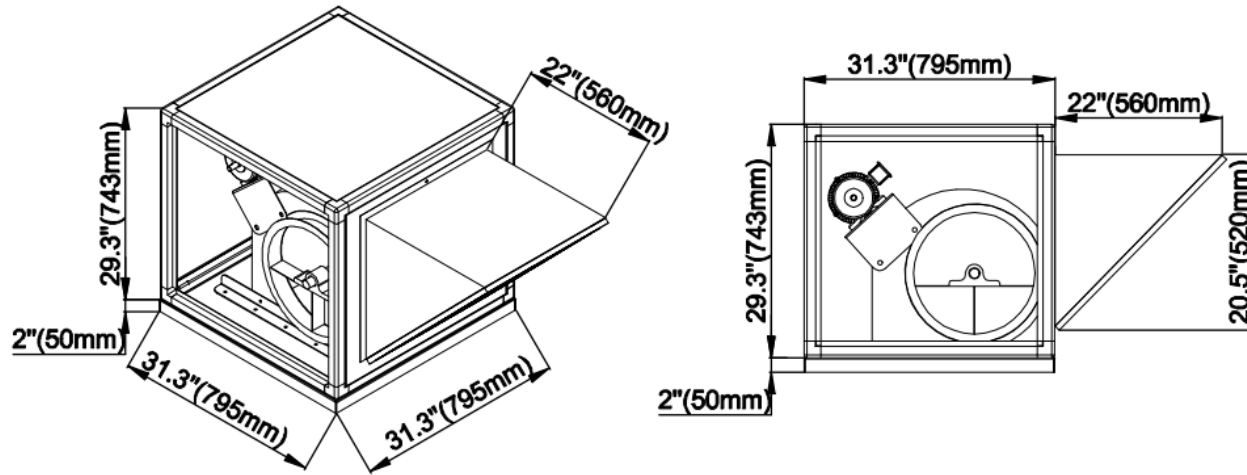
SDZ Makeup Air Unit (Roof Supply Fan)

CFM	Static Pressure in Inches W.G.																			
	0.125		0.25		0.375		0.5		0.625		0.75		1		1.125		1.25		1.5	
	RPM		RPM		RPM		RPM		RPM		RPM		RPM		RPM		RPM		RPM	
	Sone	BHP	Sone	BHP	Sone	BHP	Sone	BHP	Sone	BHP	Sone	BHP	Sone	BHP	Sone	BHP	Sone	BHP	Sone	BHP
800	422		539																	
	11.4	0.05	11.9	0.08																
980	466		569		662		745													
	10	0.07	11.7	0.11	11.3	0.14	10.5	0.17												
1160	515		606		691		770		840											
	10.5	0.11	11.2	0.14	11.5	0.18	11.2	0.22	11.2	0.26										
1340	565		650		726		799		868		931									
	11.2	0.15	11	0.19	11.4	0.23	11.4	0.28	11.8	0.32	12.7	0.37								
1520	622		697		767		834		898		959		1072		1124		1182			
	12	0.21	11.7	0.25	11.7	0.3	11.8	0.35	12.7	0.4	13.7	0.45	15.2	0.55	18.3	0.6	19.5	0.66		
1700	678		747		811		873		933		991		1100		1152		1200		1297	
	13.1	0.28	12.8	0.33	12.4	0.38	12.8	0.43	13.9	0.48	14.9	0.54	17.9	0.65	18.9	0.71	19.9	0.77	22	0.89
1880	735		799		860		917		972		1026		1130		1179		1228		1318	
	14.2	0.37	14.1	0.42	13.7	0.48	14.5	0.53	15.4	0.59	16.4	0.65	18.6	0.77	19.5	0.83	20	0.9	23	1.02
2060	792		854		910		964		1016		1065		1164		1211		1256			
	15.5	0.47	15.7	0.53	15.9	0.59	16.5	0.65	17.3	0.71	18.2	0.77	20	0.9	21	0.97	21	1.04		
2220	849		910		961		1013		1061		1109		1210							
	16.9	0.59	17.6	0.66	18.1	0.71	18.6	0.78	19.4	0.85	21	0.92	22	1.05						
2390	908		966		1015		1063		1110											
	18.8	0.72	19.6	0.8	20	0.87	21	0.94	22	1.01										
2570	967		1022		1070															
	21	0.88	22	0.97	23	1.04														

CKS FangYuan Industry has the right to change the engineering data, design and dimension without prior notice

SDZ Makeup Air Unit (Roof Supply Fan)

SDZ-MUA-12FD



Model	Power	AC motor 1Ø	AC motor 3Ø
SDZ-MUA-12FD	0.33HP	220V/60Hz	380V/60Hz
	0.33HP	120V/60Hz	230V/60Hz
	0.50HP	220V/60Hz	380V/60Hz
	0.50HP	120V/60Hz	230V/60Hz
	0.75HP	220V/60Hz	380V/60Hz
	0.75HP	120V/60Hz	230V/60Hz
	1.0HP	220V/60Hz	380V/60Hz
	1.0HP	120V/60Hz	230V/60Hz
	1.5HP	220V/60Hz	380V/60Hz
	1.5HP	120V/60Hz	230V/60Hz

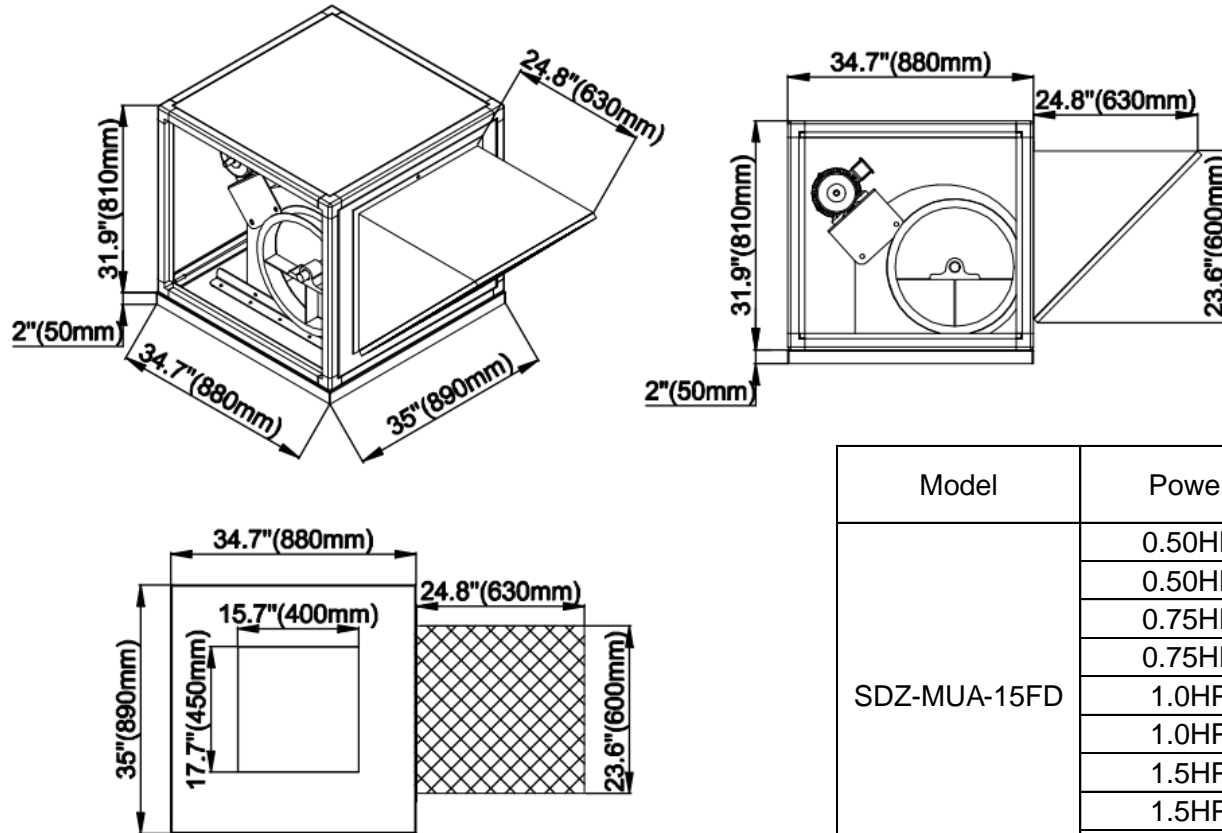
SDZ Makeup Air Unit (Roof Supply Fan)

CFM	Static Pressure in Inches W.G.																			
	0.125		0.25		0.375		0.5		0.625		0.75		1		1.125		1.25		1.5	
	RPM		RPM		RPM		RPM		RPM		RPM		RPM		RPM		RPM		RPM	
	Sone	BHP	Sone	BHP	Sone	BHP	Sone	BHP	Sone	BHP	Sone	BHP	Sone	BHP	Sone	BHP	Sone	BHP	Sone	BHP
1200	380		483																	
	12.8	0.08	12.6	0.11																
1450	412		503		580															
	12.2	0.11	12.5	0.15	11.8	0.2														
1700	449		539		606		672													
	12.7	0.16	12.7	0.21	12.1	0.26	14	0.31												
1950	493		570		642		698		756		814									
	13.6	0.22	13.6	0.28	14.2	0.34	15.7	0.39	17.6	0.45	18.3	0.51								
2200	539		605		675		735		784		834									
	14.6	0.3	14.9	0.36	16.6	0.43	17.8	0.49	19.1	0.55	18.9	0.61								
2450	588		643		707		767		820		864		957		1003					
	15.7	0.4	17	0.46	18.8	0.53	19.7	0.61	19.8	0.68	19.6	0.74	20	0.89	21	0.97				
2700	637		688		743		800		855		901		980		1024		1067			
	17.7	0.52	19.9	0.58	21	0.66	21	0.74	21	0.82	21	0.9	22	1.04	23	1.12	25	1.21		
2950	687		733		780		833		887		937		1016		1052		1088		1169	
	20	0.66	21	0.73	23	0.8	22	0.89	22	0.99	22	1.08	24	1.23	25	1.31	26	1.39	31	1.58
3200	738		780		823		870		918		968		1053		1088					
	22	0.83	23	0.9	24	0.98	24	1.07	24	1.16	24	1.27	26	1.45	27	1.54				
3450	788		829		868		908		954		999									
	24	1.02	25	1.1	25	1.18	25	1.26	26	1.37	27	1.48								
3700	839		878		914		952													
	26	1.24	27	1.33	27	1.41	28	1.5												

CKS FangYuan Industry has the right to change the engineering data, design and dimension without prior notice

SDZ Makeup Air Unit (Roof Supply Fan)

SDZ-MUA-15FD



Model	Power	AC motor 1Ø	AC motor 3Ø
SDZ-MUA-15FD	0.50HP	220V/60Hz	380V/60Hz
	0.50HP	120V/60Hz	230V/60Hz
	0.75HP	220V/60Hz	380V/60Hz
	0.75HP	120V/60Hz	230V/60Hz
	1.0HP	220V/60Hz	380V/60Hz
	1.0HP	120V/60Hz	230V/60Hz
	1.5HP	220V/60Hz	380V/60Hz
	1.5HP	120V/60Hz	230V/60Hz
	2.0HP	220V/60Hz	380V/60Hz
	2.0HP	120V/60Hz	230V/60Hz

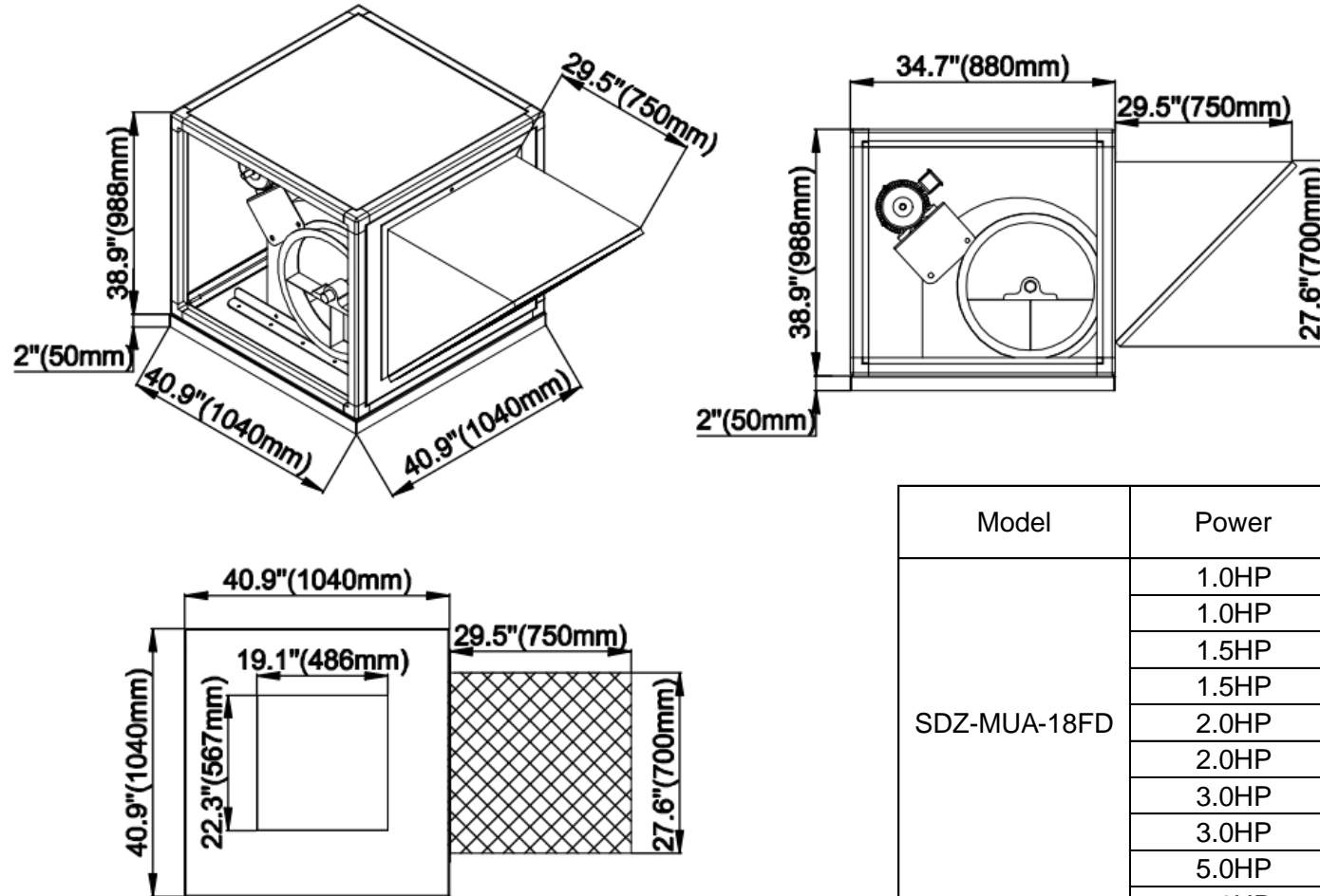
CKS FangYuan Industry has the right to change the engineering data, design and dimension without prior notice

SDZ Makeup Air Unit (Roof Supply Fan)

CFM	Static Pressure in Inches W.G.																			
	0.125		0.25		0.5		0.75		1		1.25		1.5		1.75		2		2.25	
	RPM		RPM		RPM		RPM		RPM		RPM		RPM		RPM		RPM		RPM	
	Sone	BHP	Sone	BHP	Sone	BHP	Sone	BHP	Sone	BHP	Sone	BHP	Sone	BHP	Sone	BHP	Sone	BHP	Sone	BHP
1250	306		397		536		644													
	7.5	0.07	8.9	0.12	9.7	0.23	12	0.34												
1600	341		420		555		662		753		834									
	6.3	0.12	9.2	0.17	10.3	0.29	13.3	0.43	15.5	0.58	16.7	0.73								
1950	377		453		576		681		771		851		924		990					
	6.8	0.18	9	0.24	11.1	0.38	14.1	0.53	15.8	0.7	17.1	0.87	18.3	1.05	19.6	1.23				
2300	422		488		600		702		790		869		942		1008		1070		1129	
	8.5	0.26	9.7	0.34	12.2	0.48	14.9	0.65	16.3	0.83	17.5	1.03	18.8	1.23	20	1.44	21	1.64	23	1.85
2650	469		524		632		724		811		888		960		1027		1088		1147	
	10.3	0.38	11.2	0.45	13.9	0.63	15.7	0.8	16.9	1	18	1.2	19.3	1.43	21	1.66	22	1.89	23	2.12
3000	518		564		666		753		833		910		979		1045					
	12.9	0.52	13.9	0.6	15.6	0.8	17.4	0.99	18.1	1.19	18.6	1.42	19.9	1.64	21	1.89				
3350	567		611		702		785		860		932		1001							
	16	0.7	16.5	0.79	17.9	1	19.1	1.21	19.9	1.43	21	1.66	21	1.91						
3700	617		659		738		820		892		958									
	19	0.91	18.6	1.02	20	1.23	21	1.48	22	1.71	23	1.95								
4050	667		707		775		856		925											
	22	1.17	21	1.29	22	1.5	23	1.78	24	2.04										
4400	719		755		820		892													
	23	1.47	23	1.6	24	1.84	25	2.12												
4750	770		805																	
	26	1.82	26	1.96																

CKS FangYuan Industry has the right to change the engineering data, design and dimension without prior notice

SDZ-MUA-18FD



Model	Power	AC motor 1Ø	AC motor 3Ø
SDZ-MUA-18FD	1.0HP	220V/60Hz	380V/60Hz
	1.0HP	120V/60Hz	230V/60Hz
	1.5HP	220V/60Hz	380V/60Hz
	1.5HP	120V/60Hz	230V/60Hz
	2.0HP	220V/60Hz	380V/60Hz
	2.0HP	120V/60Hz	230V/60Hz
	3.0HP	None	380V/60Hz
	3.0HP		230V/60Hz
	5.0HP	None	380V/60Hz
	5.0HP		230V/60Hz

SDZ Makeup Air Unit (Roof Supply Fan)

CFM	Static Pressure in Inches W.G.																			
	0.125		0.25		0.5		0.75		1		1.5		2		2.5		2.75		3	
	RPM		RPM		RPM		RPM		RPM		RPM		RPM		RPM		RPM		RPM	
	Sone	BHP	Sone	BHP	Sone	BHP	Sone	BHP	Sone	BHP	Sone	BHP	Sone	BHP	Sone	BHP	Sone	BHP	Sone	BHP
2450	284		349		456		554													
	6.9	0.16	9.4	0.23	9.8	0.37	11.5	0.57												
3050	324		380		478		562		644											
	8.3	0.26	8.6	0.34	10.8	0.51	12.2	0.7	15.8	0.93										
3650	366		416		506		584		654		790									
	10.3	0.41	10.1	0.5	11.9	0.7	13.3	0.91	17	1.12	24	1.67								
4250	409		456		537		611		678		797		914							
	12.5	0.6	12	0.71	13.1	0.93	14.6	1.16	19.1	1.41	23	1.93	24	2.59						
4850	456		498		572		641		703		818		922		1024		1071		1117	
	14.8	0.85	14.5	0.98	15.6	1.23	17.5	1.48	21	1.75	23	2.32	24	2.93	24	3.69	25	4.07	25	4.46
5450	504		540		610		674		733		841		939		1032		1079		1124	
	17.2	1.17	17.2	1.31	19.1	1.59	22	1.87	23	2.16	23	2.77	24	3.42	25	4.12	25	4.54	26	4.86
6050	553		584		651		709		765		868		963		1049		1090			
	20	1.57	20	1.7	22	2.03	24	2.34	26	2.64	25	3.31	25	4.01	26	4.73	26	5.08		
6650	603		630		692		747		800		898		988							
	24	2.05	24	2.19	24	2.52	27	2.88	28	3.23	28	3.93	29	4.65						
7250	652		678		734		787		836		929									
	27	2.61	27	2.78	27	3.15	31	3.53	30	3.89	30	4.63								
7850	701		727		777		829		875											
	30	3.27	30	3.46	31	3.84	32	4.26	33	4.66										
8450	750		776		821		870													
	33	4.04	34	4.26	35	4.64	36	5.1												

CKS FangYuan Industry has the right to change the engineering data, design and dimension without prior notice

SDZ Notes

- Please check all the parts of the body in details and make sure whether there is damage inside or not. It is because the fan may be damage during the transportation. If any, it should be repaired before it install
- The motor and impeller should connect properly, and its protection level is IP54, insulation class is F.
- Please do check the fan and duct, and ensure that there are no obstructions to hinder the rotation. If any, it should be cleared before starting
- Running in a given value and the fan should be rotate in a given direction
- If any unexpected sound and strenuous vibration occurred, please switch off the blower and repair the breakdown before it use.
- The fan cannot bear the weight of duct and it needs to provide an extra bearing frame to bearing.

General Questions

Did not rotate

- Wrong Voltage
- Power shut down or wrong wiring
- Overload protection
- Fuse burn-out.
- Loose of pulley.
- Failure of belt

Limited Air Volume

- Wrong rotate direction.
- The real air speed is lower than expected
- Static pressure is too much
- Restricted Inlet or Outlet
- Blocked Inlet or Outlet

Too much Air Volume

- The real air speed is higher than expected
- Static pressure is too less
- The blower is not installed in the right position

Company Introduction

CKS FangYuan Industry is China based business owned and operated by its management team. We specialize in air movement and have experience gained more than ten years of operation with worldwide predecessors. We service the ventilation equipment needs of customers ranging from HVAC through mining, manufacturing, construction, and agriculture as well as retail end users include Tianjin and Suzhou retail stores. We build our products in state of the art facilities in Guangzhou, WuHan and DeQing. We adapt ISO9001 quality system to ensure our customers are using best products.

Capabilities and Services

1. Fan and Blower design and manufacture
2. Fully performance tested products and published data
3. In-house design engineering team
4. Scale and capacity to handle any size project
5. Servicing overseas markets with built products and OEM supply
6. Sales and after sales support teams



Guangzhou

Tel: +86 (020) 87481162

Fax: +86 (020) 87481612

China

Certification:



国家防爆



Guangzhou AoZhong Fan Equipment Co.,LTD

