

Guangzhou AoZhong Fan Equipment Co.,LTD

CKS FangYuan Industry



RCD Downblast Roof
Fan



国家防爆

CKS Fang Yuan Industry Roof Blowers are designed to provide efficient and reliable operation for commercial and extractive industry. Our products are manufactured with state of the art laser, forming, spinning and welding equipment and ensure our quality control testing to ensure trouble free start-up. Our Roof Blowers are including industry leading design features to ensure your ventilation equipment has the latest technologies available.

Main feature with RCD Series,

- Working in 280° environment more than half an hour
- Full mold, full welded structure
- Most advanced motor cooling of blower in its class
- Direct Drive and Belt Drive are available
- Anti-explored Type is available
- ISO9001:2000 controllable standard

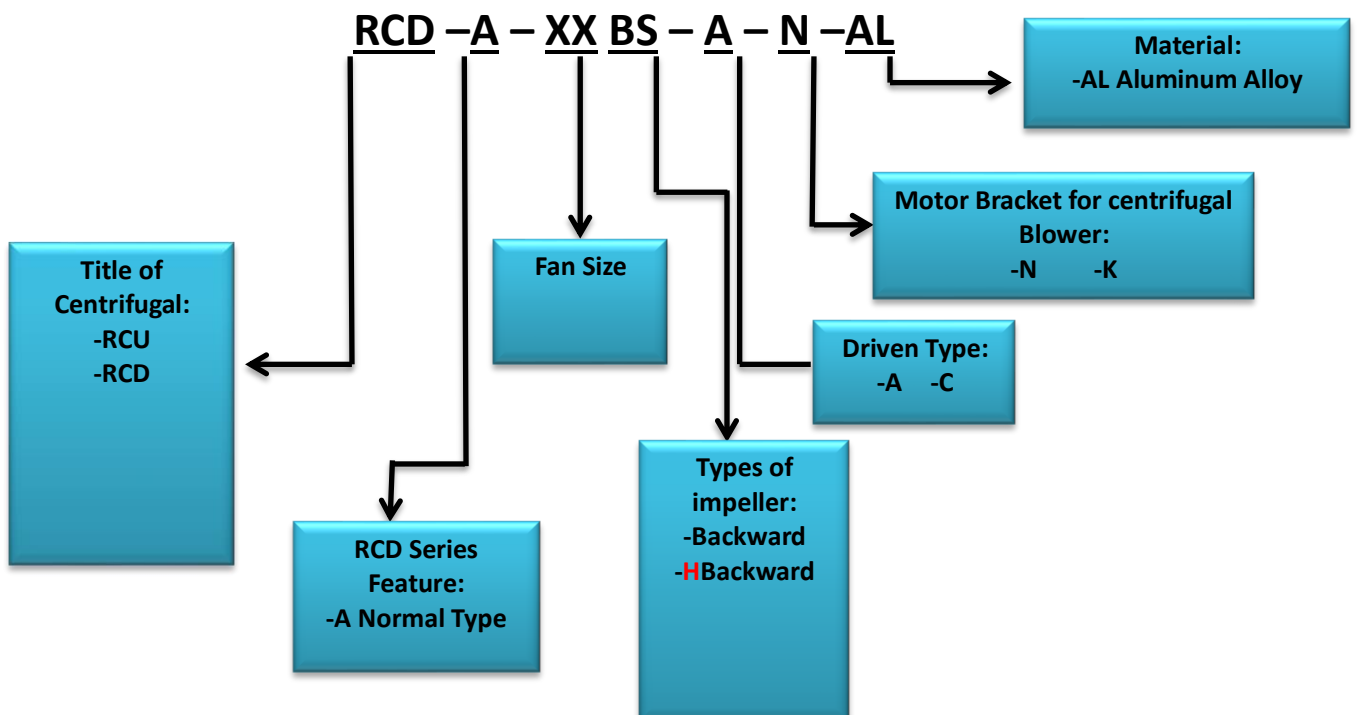


Every RCD has been test for three different planes before package. Typical applications include:

- Factory Exhaust
- Bathroom Exhaust
- Low noise Industry
- Agricultural area

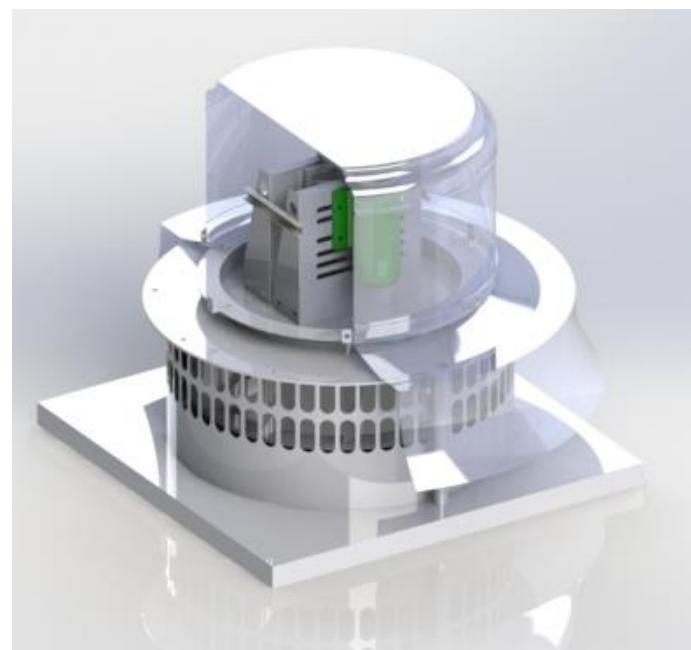
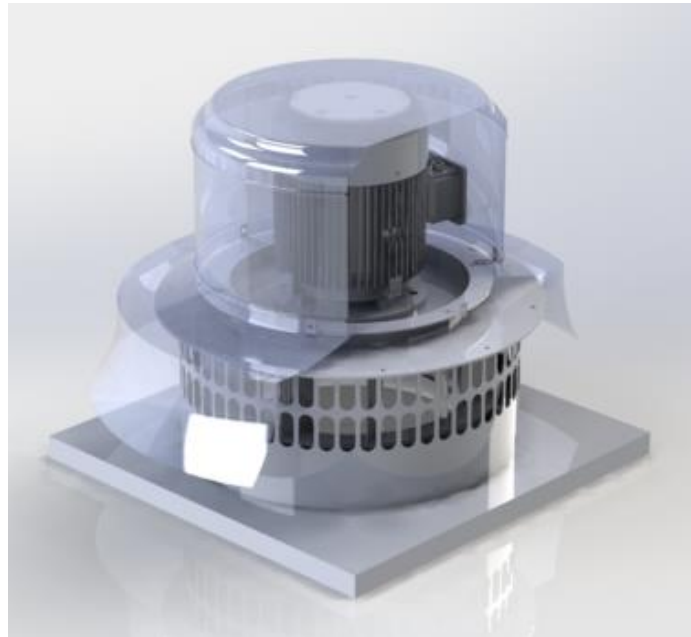
Engineers in Guangzhou AoZhong Fan Equipment Co.,LTD can assist you in improving the operational efficiency of the air movement in your system.

RCD Downblast Roof Fan Model Number Code:



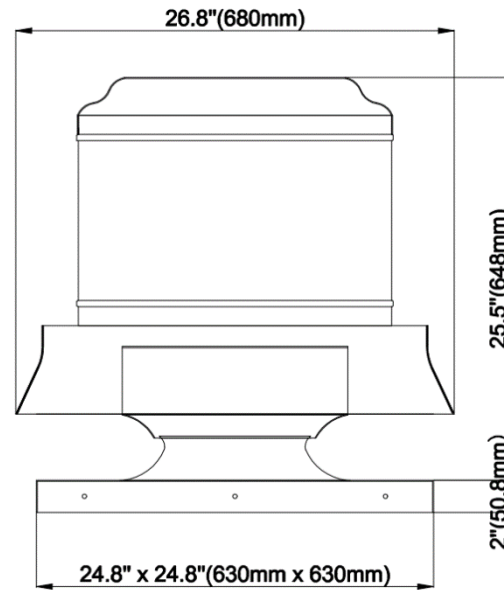
RCD Structure

RCD Series: The product is made in high-quality steel, which is cutting, by laser to ensure high-precision mold line. The base is aluminum alloy for one-time stretch. Driven cavity cover adopt stainless steel material, which can open with hands, and convenient to daily cleaning maintenance. Different ways of motor with different transmission need to select different motor bracket. The impeller adopts laser cutting technology and die stretch forming. A different work environment needs to adopt different impeller material. Carbon steel, stainless steel and aluminum alloy impeller are optional. The surface of the impeller adopts industrial spraying. Impeller balance test grades are in strict accordance with the G4.0 ISO1940, and meet its requirements. In this series, roof blower use aluminum alloy wheel.



RCD-A-XXXHBS and RCD-A-XXXBS Technical Data

RCD-A-10HBS



Model	Power	AC motor 1Ø	AC motor 3Ø	Maximum Speed
RCD-A-10HBS	0.33HP	220V/60Hz	380V/60Hz	1050RPM
	0.33HP	120V/60Hz	230V/60Hz	
	0.50HP	220V/60Hz	380V/60Hz	1250RPM
	0.50HP	120V/60Hz	230V/60Hz	
	0.75HP	220V/60Hz	380V/60Hz	1400RPM
	0.75HP	120V/60Hz	230V/60Hz	
	1HP	220V/60Hz	380V/60Hz	1720RPM
	1HP	120V/60Hz	230V/60Hz	

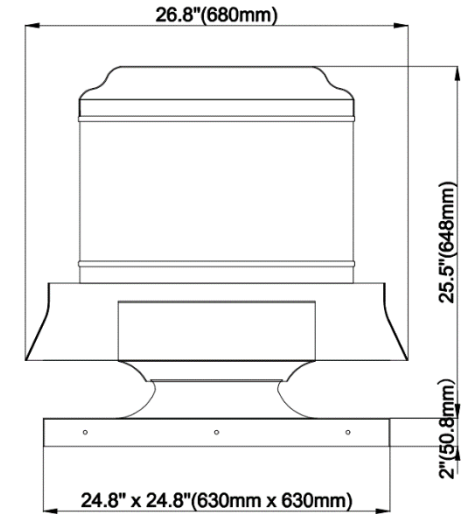
CKS Fan has the right to change the engineering data, design and dimension without prior notice.

CFM	Static Pressure in Inches W.G.											
	0.000		0.250		0.500		0.750		1.000		1.250	
	RPM		RPM		RPM		RPM		RPM		RPM	
	Sone	BHP	Sone	BHP	Sone	BHP	Sone	BHP	Sone	BHP	Sone	BHP
630	908											
					5.8	0.12						
840	959											
					6.4	0.14	8.7	0.22				
1050	862											
			5.2	0.11	7.4	0.19	9.7	0.27	12	0.37	14.3	0.47
1300	813											
	5.5	0.08	6.7	0.15	8.6	0.24	10.8	0.33	13.1	0.43		
1500	949											
	7.3	0.12	8.5	0.2	10.1	0.3	12.3	0.41				
1700	1084											
	9.3	0.18	10.6	0.27	12.2	0.38	14	0.5				
1900	1220											
	11.8	0.26	13.1	0.36	14.5	0.47						
2100	1354											
	14.6	0.35	16	0.46								
2300	1490											
	17.9	0.47										

CKS Fan has the right to change the engineering data, design and dimension without prior notice.

RCD-A-10BS

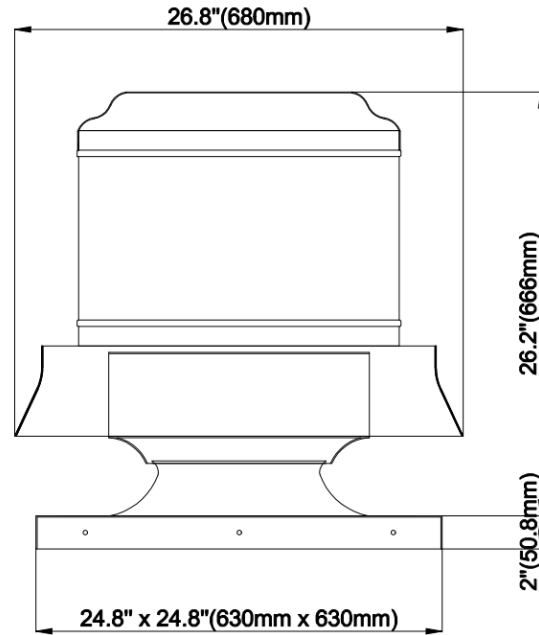
Model	Power	AC motor 1Ø	AC motor 3Ø	Fan Speed
RCD-A-10BS	0.50HP	220V/60Hz	380V/60Hz	1420RPM
	0.50HP	120V/60Hz	230V/60Hz	
	0.75HP	220V/60Hz	380V/60Hz	1700RPM
	0.75HP	120V/60Hz	230V/60Hz	
	1HP	220V/60Hz	380V/60Hz	2000RPM
	1HP	120V/60Hz	230V/60Hz	



CFM	Static Pressure in Inches W.G.													
	0		0.25		0.5		0.75		1		1.25		1.5	
	RPM		RPM		RPM		RPM		RPM		RPM		RPM	
	Sone	BHP	Sone	BHP	Sone	BHP	Sone	BHP	Sone	BHP	Sone	BHP	Sone	BHP
500	660		9000		1090									
			1.90	0.05	3.80	0.12	5.40	0.20						
700	764		955		1125		1279		1421		1549			
			2.90	0.08	4.20	0.15	5.80	0.24	7.30	0.34	8.80	0.45	10.00	0.58
900	720		910		1062		1204		1339		1465		1586	
	3.70	0.05	4.30	0.12	5.40	0.20	6.60	0.30	7.90	0.41	9.30	0.52	10.40	0.66
1100	912		1073		1203		1321		1435		1545			
	5.80	0.10	6.20	0.18	7.10	0.28	8.00	0.38	9.00	0.50	10.00	0.63		
1300	1103		1246		1359		1463		1560					
	8.00	0.18	8.30	0.28	9.00	0.40	9.80	0.51	10.70	0.63				
1500	1294		1423		1524									
	10.60	0.29	10.90	0.41	11.30	0.53								
1800	1486		1601											
	13.30	0.45	13.50	0.58										
2000	1676													
	16.00	0.63												

CKS Fan has the right to change the engineering data, design and dimension without prior notice.

RCD-A-14HBS



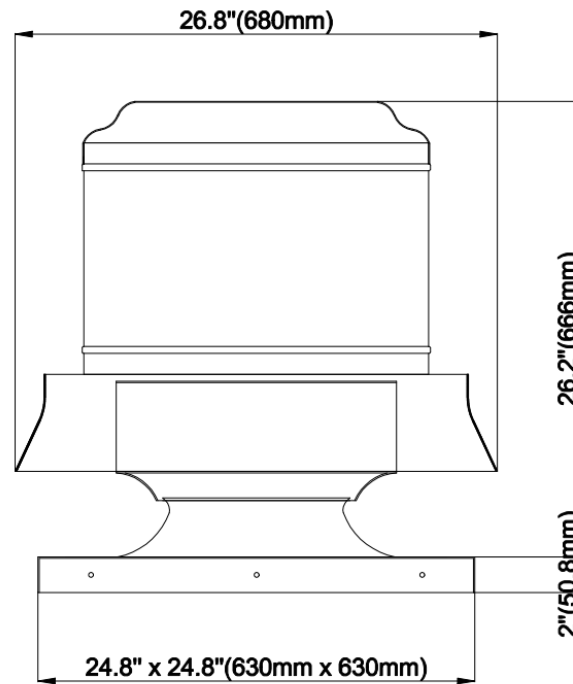
Model	Power	AC motor 1Ø	AC motor 3Ø	Maximum Speed
RCD-A-14HBS	0.33HP	220V/60Hz	380V/60Hz	850RPM
	0.33HP	120V/60Hz	230V/60Hz	
	0.50HP	220V/60Hz	380V/60Hz	1000RPM
	0.50HP	120V/60Hz	230V/60Hz	
	0.75HP	220V/60Hz	380V/60Hz	1130RPM
	0.75HP	120V/60Hz	230V/60Hz	
	1.0HP	220V/60Hz	380V/60Hz	1400RPM
	1.0HP	120V/60Hz	230V/60Hz	
	1.5HP	220V/60Hz	380V/60Hz	1720RPM
	1.5HP	120V/60Hz	230V/60Hz	

CKS Fan has the right to change the engineering data, design and dimension without prior notice.

CFM	Static Pressure in Inches W.G.																			
	0.000		0.250		0.500		0.750		1.000		1.250		1.500		1.750		2.000		2.250	
	RPM		RPM		RPM		RPM		RPM		RPM		RPM		RPM		RPM		RPM	
	Sone	BHP	Sone	BHP	Sone	BHP	Sone	BHP	Sone	BHP	Sone	BHP	Sone	BHP	Sone	BHP	Sone	BHP	Sone	BHP
1300					821		970		1107											
					5	0.16	6.4	0.25	9.5	0.34										
1700			765		901		1028		1146		1257		1363		1465					
			5.4	0.13	6.9	0.22	7.1	0.32	12	0.42	12.4	0.54	12.9	0.67	13.7	0.8				
2100	773		892		1006		1114		1217		1315		1409		1500		1587		1674	
	6.4	0.12	8	0.21	9.2	0.31	10.4	0.42	11.7	0.53	13.1	0.66	13.4	0.79	14	0.93	15.1	1.08	16.2	1.24
2500	928		1027		1124		1218		1308		1395		1480		1561		1642		1719	
	9.4	0.2	9.9	0.3	12.3	0.42	12.9	0.55	15	0.67	15.5	0.81	15.2	0.95	15.5	1.1	16.1	1.26	17.1	1.43
2900	1082		1168		1252		1334		1412		1492		1568		1642		1715			
	10.3	0.32	13.5	0.44	15.7	0.57	16.5	0.71	17.4	0.85	17.9	1	18.6	1.16	18.8	1.32	18.7	1.49		
3300	1237		1312		1386		1459		1530		1601		1669							
	15.1	0.47	17	0.61	18	0.75	18.8	0.91	19.6	1.07	21	1.24	21	1.41						
3700	1392		1458		1524		1590		1654											
	18.6	0.68	19.5	0.82	20	0.99	22	1.16	22	1.33										
4100	1546		1606		1666		1726													
	21	0.93	22	1.09	23	1.27	24	1.45												

CKS Fan has the right to change the engineering data, design and dimension without prior notice.

RCD-A-14BS



Model	Power	AC motor 1Ø	AC motor 3Ø	Fan Speed
RCD-A-14BS	0.5HP	220V/60Hz	380V/60Hz	1400RPM
	0.5HP	120V/60Hz	230V/60Hz	
	1.0HP	220V/60Hz	380V/60Hz	1740RPM
	1.0HP	120V/60Hz	230V/60Hz	
	1.5HP	220V/60Hz	380V/60Hz	2050RPM
	1.5HP	120V/60Hz	230V/60Hz	

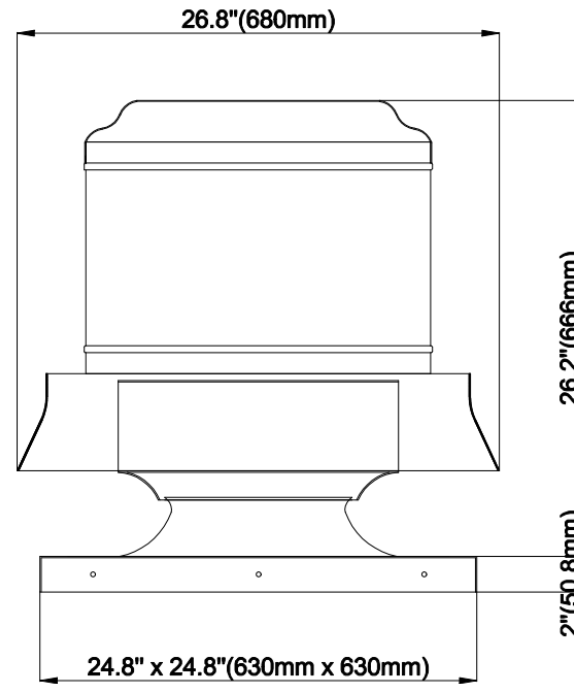
CKS Fan has the right to change the engineering data, design and dimension without prior notice.

RCD Downblast Roof Fan

CFM	Static Pressure in Inches W.G.																					
	0.00		0.25		0.50		0.75		1.00		1.25		1.50		1.75		2.00		2.25		2.50	
	RPM		RPM		RPM		RPM		RPM		RPM		RPM		RPM		RPM		RPM		RPM	
	Sone	BHP	Sone	BHP	Sone	BHP	Sone	BHP	Sone	BHP	Sone	BHP	Sone	BHP	Sone	BHP	Sone	BHP	Sone	BHP	Sone	BHP
494					716		878		1017		1142		1256		1360							
					4.30	0.10	6.00	0.17	8.20	0.25	10.70	0.33	13.40	0.43	12.50	0.52						
741					775		929		1063		1182		1292		1393		1487		1567		1660	
					5.00	0.13	6.80	0.21	9.10	0.29	11.60	0.39	12.90	0.49	12.80	0.60	14.00	0.71	15.10	0.83	16.30	0.95
988					852		994		1121		1235		1341		1441		1533		1620		1702	
					6.00	0.17	8.00	0.25	10.30	0.35	12.90	0.45	12.50	0.56	13.40	0.68	14.60	0.80	15.70	0.93	16.90	1.06
1235			807		948		1076		1192		1301		1402		1497		1586		1673		1752	
			6.00	0.14	7.90	0.22	9.90	0.32	12.10	0.42	12.80	0.53	12.60	0.65	14.00	0.77	15.20	0.91	16.40	1.05	17.70	1.18
1482	789		932		1056		1171		1278		1380		1475		1564		1649		1732		1811	
	6.10	0.11	8.10	0.20	10.10	0.29	12.30	0.39	13.20	0.51	12.70	0.63	13.30	0.78	14.10	0.89	15.10	1.03	16.60	1.18	18.30	1.33
1729	927		1062		1175		1278		1375		1468		1557		1671		1723		1802		1877	
	8.30	0.17	10.70	0.27	12.90	0.38	14.20	0.49	13.80	0.62	13.80	0.75	14.20	0.88	15.00	1.02	15.90	1.17	16.80	1.33	17.80	1.49
1976	1074		1196		1299		1393		1481		1567		1678		1729		1805					
	11.20	0.26	13.80	0.37	14.70	0.49	14.10	0.62	15.40	0.75	15.70	0.89	15.90	1.03	16.40	1.19	17.00	1.34				
2223	1221		1332		1425		1513		1595		1673		1752		1825							
	14.80	0.36	14.80	0.49	15.40	0.62	16.20	0.76	16.40	0.91	17.50	1.05	18.20	1.21	18.40	1.37						
2470	1367		1469		1556		1638		1715		1789		1859									
	15.70	0.50	16.70	0.64	17.50	0.79	18.40	0.94	18.60	1.09	18.90	1.25	20.00	1.42								
2717	1513		1608		1690		1766		1838		1907											
	18.60	0.66	19.00	0.82	19.80	0.98	21.00	1.14	22.00	1.31	21.00	1.48										
2964	1660		1748		1825		1897															
	21.00	0.86	21.00	1.03	22.00	1.21	23.00	1.38														
3211	1806		1898		1962																	
	23.00	1.10	24.00	1.28	25.00	1.47																
3458	1953																					
	26.00	1.37																				

CKS Fan has the right to change the engineering data, design and dimension without prior notice.

RCD-A-16HBS



Model	Power	AC motor 1Ø	AC motor 3Ø	Maximum Speed
RCD-A-16HBS	0.50HP	220V/60Hz	380V/60Hz	850RPM
	0.50HP	120V/60Hz	230V/60Hz	
	0.75HP	220V/60Hz	380V/60Hz	1000RPM
	0.75HP	120V/60Hz	230V/60Hz	
	1.0HP	220V/60Hz	380V/60Hz	1130RPM
	1.0HP	120V/60Hz	230V/60Hz	
	1.5HP	220V/60Hz	380V/60Hz	1250RPM
	1.5HP	120V/60Hz	230V/60Hz	
	2.0HP	220V/60Hz	380V/60Hz	1400RPM
	2.0HP	120V/60Hz	230V/60Hz	

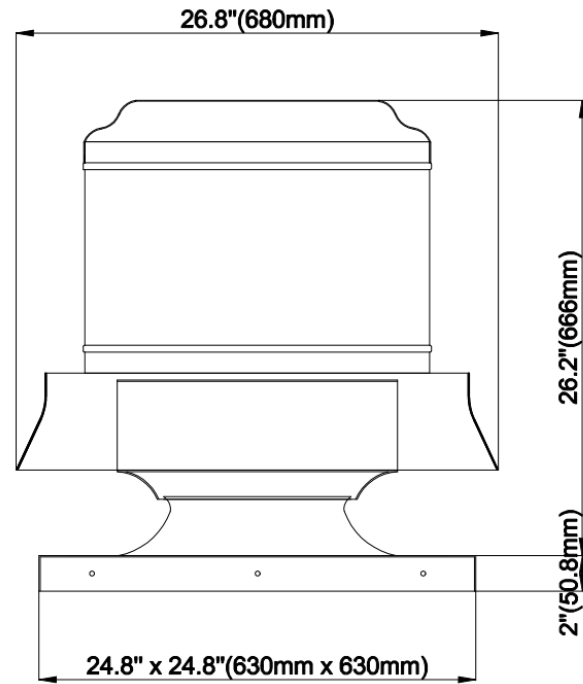
CKS Fan has the right to change the engineering data, design and dimension without prior notice.

RCD Downblast Roof Fan

CFM	Static Pressure in Inches W.G.																					
	0.000		0.250		0.500		0.750		1.000		1.250		1.500		1.750		2.000		2.250		2.500	
	RPM		RPM		RPM		RPM		RPM		RPM		RPM		RPM		RPM		RPM		RPM	
	Sone	BHP	Sone	BHP	Sone	BHP	Sone	BHP	Sone	BHP	Sone	BHP	Sone	BHP	Sone	BHP	Sone	BHP	Sone	BHP	Sone	BHP
1530					658		787		875		1010											
					6.6	0.23	9.3	0.35	11.2	0.46	12.2	0.56										
1980			581		701		813		941		1045		1134		1209		1299		1343		1434	
			6	0.17	8.2	0.29	9.9	0.45	11.6	0.62	12.8	0.78	14.8	0.93	16.4	1.07	17.8	1.2	19.2	1.34	20	1.49
2430	595		688		793		873		986		1074		1166		1243		1334		1398		1476	
	7.4	0.17	9.4	0.28	10.3	0.39	11.4	0.55	11.7	0.74	13.4	0.95	15.8	1.16	17.3	1.36	18.8	1.56	20	1.75	21	1.92
2880	725		804		901		958		1045		1112		1197		1288		1357		1432		1501	
	11.2	0.29	12.2	0.43	12.8	0.55	13	0.7	12.7	0.88	14.4	1.09	16.8	1.33	18.2	1.58	19.6	1.84	21	2.09	22	2.34
3330	857		939		1001		1067		1123		1187		1256		1332		1393		1463		1534	
	13.9	0.46	14.8	0.63	14.5	0.77	15	0.92	16.4	1.1	17.9	1.3	18.7	1.53	19.7	1.79	21	2.07	22	2.36	23	2.66
3780	1002		1067		1123		1100		1232		1283		1344		1401		1444		1510		1577	
	15.6	0.69	17.3	0.88	17.7	1.05	19.3	1.21	19.9	1.39	20	1.59	21	1.81	22	2.06	23	2.33	23	2.62	24	2.94
4230	1132		1189		1255		1299		1332		1388		1432		1487		1532		1586			
	19	0.98	21	1.21	22	1.39	22	1.58	23	1.76	23	1.97	24	2.19	24	2.43	25	2.69	26	2.97		
4680	1321		1312		1361		1399		1447		1488		1534		1587							
	24	1.35	24	1.6	25	1.81	25	2.02	26	2.22	27	2.44	27	2.66	27	0.9						
5130	1411		1444		1487		1523		1576		1601											
	27	1.79	28	2.08	28	2.32	29	2.55	29	2.77	30	2.99										

CKS Fan has the right to change the engineering data, design and dimension without prior notice.

RCD-A-16BS



Model	Power	AC motor 1Ø	AC motor 3Ø	Fan Speed
RCD-A-16BS	1.0HP	220V/60Hz	380V/60Hz	1400RPM
	1.0HP	120V/60Hz	230V/60Hz	
	1.5HP	220V/60Hz	380V/60Hz	1550RPM
	1.5HP	120V/60Hz	230V/60Hz	
	2.0HP	220V/60Hz	380V/60Hz	1700RPM
	2.0HP	120V/60Hz	230V/60Hz	

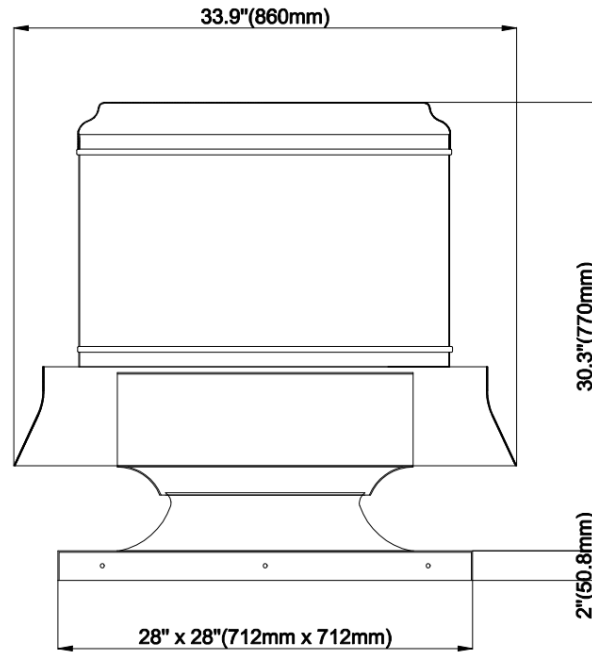
CKS Fan has the right to change the engineering data, design and dimension without prior notice.

RCD Downblast Roof Fan

CFM	Static Pressure in Inches W.G.																					
	0		0.25		0.5		0.75		1		1.25		1.5		1.75		2		2.25		2.5	
	RPM		RPM		RPM		RPM		RPM		RPM		RPM		RPM		RPM		RPM		RPM	
	Sone	BHP	Sone	BHP	Sone	BHP	Sone	BHP	Sone	BHP	Sone	BHP	Sone	BHP	Sone	BHP	Sone	BHP	Sone	BHP	Sone	BHP
1250									952													
									7.2	0.35												
1500									984		1076		1163									
									7.8	0.41	9	0.51	10.4	0.63								
1750							934		1025		1111		1193		1271		1345					
							7.7	0.36	8.7	0.47	9.8	0.59	11	0.71	12	0.84	12.4	0.98				
2000					901		990		1074		1154		1231		1304		1375		1443		1508	
					8.2	0.32	9	0.43	9.9	0.55	10.9	0.68	10	0.81	12.1	0.94	12.6	1.09	13.3	1.24	14.1	1.39
2250					970		1051		1129		1203		1276		1344		1412		1476		1539	
					9.9	0.39	10.5	0.51	11.3	0.64	12.2	0.77	12	0.91	12.4	1.06	12.9	1.21	14	1.37	14.6	1.53
2500			967		1043		1117		1189		1259		1326		1391		1454		1516		1575	
			10.4	0.35	11.6	0.47	12.3	0.6	13	0.74	12	0.88	12.3	1.03	12.7	1.19	14.3	1.35	14.9	1.52	15.6	1.68
2750	983		1049		1118		1186		1253		1318		1381		1443		1503		1561		1618	
	11.6	0.32	12.1	0.44	13.3	0.57	14.4	0.71	15	0.86	14.2	1.01	13.7	1.17	13.3	1.33	15.5	1.5	16.1	1.67	16.7	1.85
3000	1073		1133		1196		1259		1321		1382		1441		1499		1555		1611			
	13.7	0.42	14.1	0.54	15.1	0.68	16.2	0.83	14.8	0.99	14.5	1.15	15.1	1.32	16.3	1.49	16.8	1.67	17.4	1.85		
3250	1162		1217		1276		1334		1391		1448		1504		1559		1612					
	15.8	0.53	16.2	0.66	16.4	0.82	16.4	0.97	15.9	1.14	16.9	1.31	17.3	1.49	17.7	1.67	18.1	1.85				
3500	1251		1302		1356		1411		1464		1518		1570		1622							
	18.1	0.66	16.9	0.8	17	0.96	16.7	1.13	17.8	1.31	18.4	1.49	18.8	1.67	19.2	1.87						
3750	1341		1387		1438		1489		1539		1590		1639									
	17.1	0.81	17.5	0.96	18	1.13	18.9	1.31	19.4	1.5	19.8	1.69	20	1.88								

CKS Fan has the right to change the engineering data, design and dimension without prior notice.

RCD-A-18HBS



Model	Power	AC motor 1Ø	AC motor 3Ø	Maxiumum Speed
RCD-A-18HBS	0.75HP	220V/60Hz	380V/60Hz	700RPM
	0.75HP	120V/60Hz	230V/60Hz	
	1.0HP	220V/60Hz	380V/60Hz	850RPM
	1.0HP	120V/60Hz	230V/60Hz	
	1.5HP	220V/60Hz	380V/60Hz	1000RPM
	1.5HP	120V/60Hz	230V/60Hz	
	2.0HP	220V/60Hz	380V/60Hz	1250RPM
	2.0HP	120V/60Hz	230V/60Hz	
	3.0HP	None	380V/60Hz	1420RPM
	3.0HP		230V/60Hz	

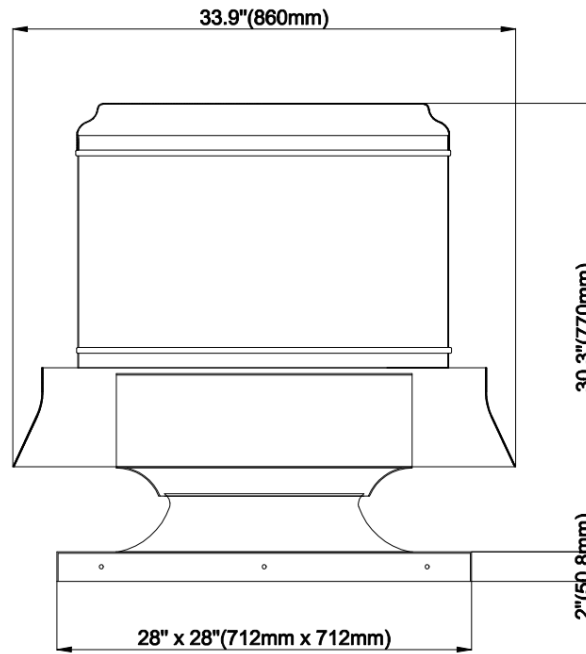
CKS Fan has the right to change the engineering data, design and dimension without prior notice.

RCD Downblast Roof Fan

CFM	Static Pressure in Inches W.G.																			
	0.000		0.250		0.500		0.750		1.000		1.250		1.500		1.750		2.000		2.250	
	RPM		RPM		RPM		RPM		RPM		RPM		RPM		RPM		RPM		RPM	
	Sone	BHP	Sone	BHP	Sone	BHP	Sone	BHP	Sone	BHP	Sone	BHP	Sone	BHP	Sone	BHP	Sone	BHP	Sone	BHP
1400					655															
					5.6	0.19														
1800					670		802		928											
					5.9	0.23	8.9	0.36	11	0.53										
2200			622		722		825		930		1035		1136		1229					
			5.6	0.19	7.4	0.29	9.3	0.42	11.1	0.58	12	0.78	13.8	0.99	15.5	1.2				
2600	612		709		793		877		962		1049		1137		1225		1310		1391	
	6.2	0.15	8.1	0.27	9.3	0.39	10.4	0.52	11.7	0.68	12	0.85	13.8	1.06	15.4	1.29	16.9	1.54	18.5	1.8
3000	714		800		874		945		1017		1089		1163		1238		1315		1390	
	9.3	0.24	10.6	0.37	11.2	0.51	12	0.66	12	0.82	12.8	0.99	14.3	1.18	15.6	1.4	17	1.64	18.4	1.9
3400	816		893		960		1023		1085		1148		1211		1275		1339			
	11.9	0.36	12.7	0.51	13.4	0.67	13.1	0.83	12.7	1	14	1.18	15.8	1.37	16.5	1.58	17.5	1.8		
3800	918		988		1049		1106		1162		1217		1273		1329					
	14.1	0.52	14.7	0.68	14.6	0.86	14.8	1.04	16.2	1.22	17.4	1.41	17.8	1.61	18.3	1.82				
4200	1020		1084		1140		1193		1244		1294		1344							
	15.1	0.71	16.5	0.89	17.1	1.08	18.6	1.28	19.2	1.48	19.6	1.69	20	1.9						
4600	1122		1181		1233		1283		1330											
	17.6	0.94	19.5	1.14	21	1.35	21	1.57	22	1.79										
5000	1224		1278		1327		1374													
	21	1.22	22	1.43	23	1.66	24	1.9												
5400	1326		1376																	
	24	1.55	25	1.78																
5800	1428																			
	26	1.94																		

CKS Fan has the right to change the engineering data, design and dimension without prior notice.

RCD-A-18BS



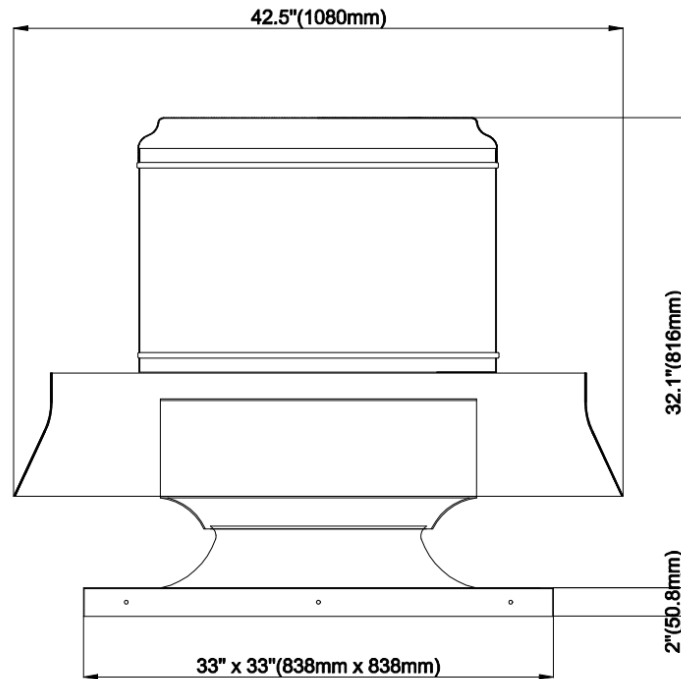
Model	Power	AC motor 1Ø	AC motor 3Ø	Fan Speed
RCD-A-18BS	1.5HP	220V/60Hz	380V/60Hz	1200RPM
	1.5HP	120V/60Hz	230V/60Hz	
	2.0HP	220V/60Hz	380V/60Hz	1400RPM
	2.0HP	120V/60Hz	230V/60Hz	
	3.0HP	None	380V/60Hz	1600RPM
	3.0HP		230V/60Hz	

CKS Fan has the right to change the engineering data, design and dimension without prior notice.

CFM	Static Pressure in Inches W.G.																									
	0.000		0.250		0.500		0.750		1.000		1.250		1.500		1.750		2.000		2.250		2.500		2.750		3.000	
	RPM		RPM		RPM		RPM		RPM		RPM		RPM		RPM		RPM		RPM		RPM		RPM		RPM	
	Sone	BHP	Sone	BHP	Sone	BHP	Sone	BHP	Sone	BHP	Sone	BHP	Sone	BHP	Sone	BHP	Sone	BHP	Sone	BHP	Sone	BHP	Sone	BHP	Sone	BHP
1500									870		955		1034		1107		1176		1241		1302		1361		1418	
									8.2	0.47	9.9	0.61	11.4	0.76	13.1	0.91	14.2	1.08	14.9	1.25	15.8	1.42	16.9	1.61	17.9	1.8
2000							850		932		1010		1083		1153		1219		1281		1340		1398		1452	
							8.9	0.46	10.2	0.6	11.4	0.76	12.7	0.92	14	1.1	14.6	1.28	15.4	1.47	16.4	1.66	17.6	1.86	18.5	2.07
2500					869		943		1015		1083		1147		1213		1274		1333		1390		1444		1497	
					10.4	0.46	11.5	0.63	12.8	0.78	14.2	0.95	13.9	1.13	14.5	1.32	15.3	1.52	16.4	1.73	17.7	1.94	18.5	2.16	19.4	2.38
3000	834		915		985		1050		1112		1173		1232		1289		1345		1399		1451		1503		1553	
	11.4	0.32	12.9	0.48	14	0.65	14.9	0.82	16	1	16	1.19	16.4	1.39	17.2	1.6	16.6	1.82	18.6	2.04	19.3	2.27	20	2.51	21	2.75
3500	973		1045		1107		1165		1220		1274		1327		1378		1429		1478		1526		1574			
	15.3	0.51	16.9	0.7	18.3	0.89	17.3	1.08	17.7	1.29	17.8	1.5	17.8	1.71	21	2.41	21	2.66	22	2.91	21	2.66	22	2.91		
4000	1112		1176		1233		1285		1336		1384		1432		1478		1524		1569							
	19.8	0.76	19.8	0.98	20	1.19	19.8	1.41	19.5	1.64	22	1.87	22	2.11	22	2.35	23	2.6	23	2.86						
4500	1250		1309		1361		1409		1455		1500		1543		1586											
	20	1.09	21	1.33	22	1.57	24	1.81	24	2.06	25	2.31	25	2.57	25	2.84										
5000	1385		1443		1491		1535		1578		1619															
	24	1.49	25	1.76	26	2.03	27	2.29	27	2.56	28	2.84														
5500	1526		1577		1622		1664																			
	28	1.98	28	2.28	29	2.57	29	2.87																		

CKS Fan has the right to change the engineering data, design and dimension without prior notice.

RCD-A-20HBS



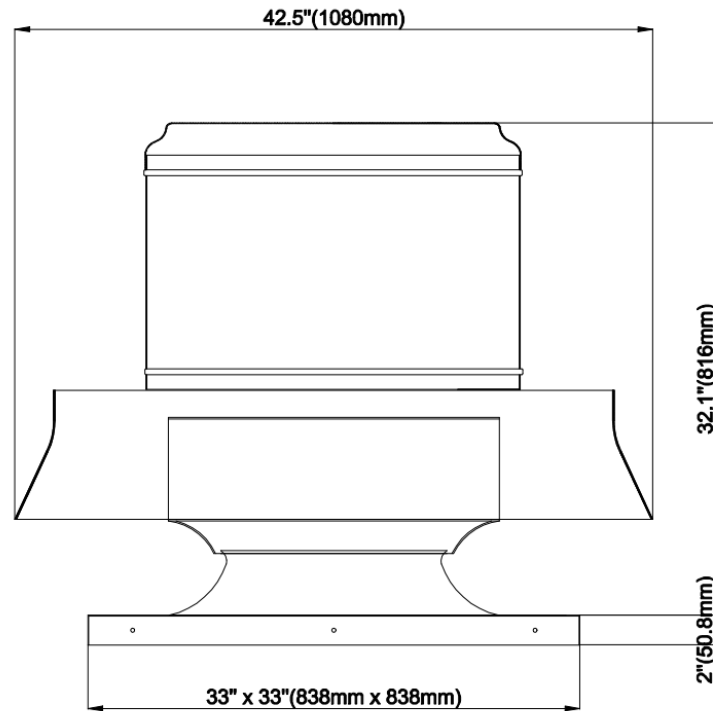
Model	Power	AC motor 1Ø	AC motor 3Ø	Maxiumum Speed
RCD-A-20HBS	1.0HP	220V/60Hz	380V/60Hz	800RPM
	1.0HP	120V/60Hz	230V/60Hz	
	1.5HP	220V/60Hz	380V/60Hz	950RPM
	1.5HP	120V/60Hz	230V/60Hz	
	2.0HP	220V/60Hz	380V/60Hz	1100RPM
	2.0HP	120V/60Hz	230V/60Hz	
	3.0HP	None	380V/60Hz	1260RPM
	3.0HP		230V/60Hz	

CKS Fan has the right to change the engineering data, design and dimension without prior notice.

CFM	Static Pressure in Inches W.G.															
	0.000		0.250		0.500		0.750		1.000		1.250		1.500		1.750	
	RPM		RPM		RPM		RPM		RPM		RPM		RPM		RPM	
	Sone	BHP	Sone	BHP	Sone	BHP	Sone	BHP	Sone	BHP	Sone	BHP	Sone	BHP	Sone	BHP
2200	617															
					5.2	0.26										
2700	546															
			5	0.2	6.4	0.33	8.3	0.49								
3200	523															
	5.6	0.14	6.8	0.27	8.4	0.43	8.8	0.59	10.9	0.78						
3700	610															
	7.8	0.23	9	0.38	10.4	0.55	10	0.73	11.9	0.92	13.7	1.14	14.9	1.37		
4200	697															
	10.4	0.34	11.6	0.51	11.6	0.69	13.7	0.89	13.2	1.11	15.2	1.33	15.8	1.57	17	1.82
4700	784															
	12.4	0.49	13	0.67	14.8	0.87	15.8	1.09	17	1.32	17.1	1.56	17.4	1.81		
5200	872															
	14.7	0.67	16.2	0.87	17.6	1.09	18.2	1.33	18.7	1.57	19.3	1.83				
5700	959															
	17.4	0.89	18.9	1.11	19.3	1.35	19.9	1.6	21	1.86						
6200	1046															
	21	1.15	21	1.39	21	1.65	23	1.92								
6700	1133															
	23	1.46	24	1.72	25	1.99										
7200	1220															
	27	1.82														

CKS Fan has the right to change the engineering data, design and dimension without prior notice.

RCD-A-20BS



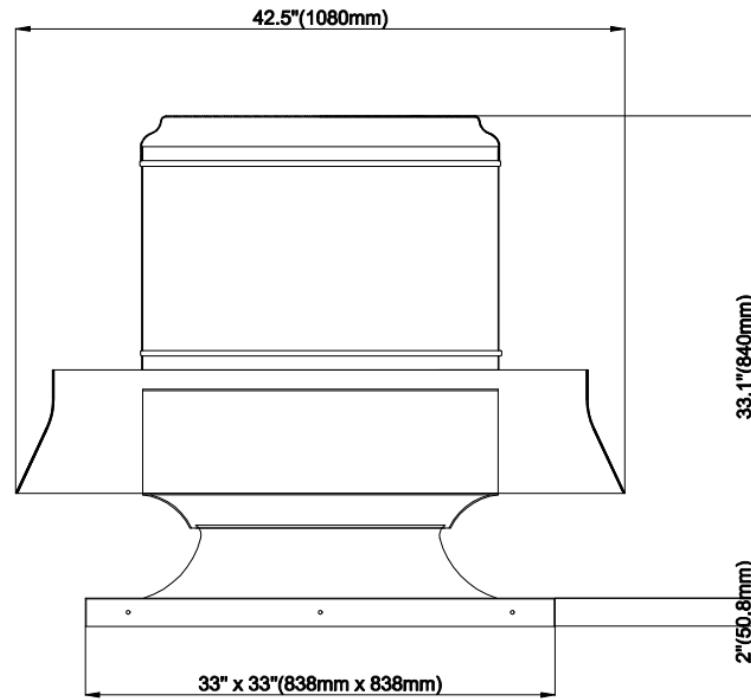
Model	Power	AC motor 1Ø	AC motor 3Ø	Fan Speed
RCD-A-20BS	2.0HP	220V/60Hz	380V/60Hz	1200RPM
	2.0HP	120V/60Hz	230V/60Hz	
	3.0HP	None	380V/60Hz	1400RPM
	3.0HP		230V/60Hz	
	4.0HP	None	380V/60Hz	1600RPM
	4.0HP		230V/60Hz	

CKS Fan has the right to change the engineering data, design and dimension without prior notice.

CFM	Static Pressure in Inches W.G.																	
	0.000		0.500		1.000		1.500		2.000		2.500		3.000		3.500		4.000	
	RPM		RPM		RPM		RPM		RPM		RPM		RPM		RPM		RPM	
	Sone	BHP	Sone	BHP	Sone	BHP	Sone	BHP	Sone	BHP	Sone	BHP	Sone	BHP	Sone	BHP	Sone	BHP
1875					870		1034		1176		1302		1418		1476		1578	
					8.2	0.88	11.4	1.43	14.2	2.03	15.8	2.66	17.9	3.38	19.1	4.02	21	5.1
2500					932		1083		1219		1340		1452		1501		1612	
					10.2	1.13	12.7	1.73	14.6	2.4	16.4	3.11	18.5	3.88	20.1	4.8	23	5.67
3125			869		1015		1147		1274		1390		1497		1573			
			10.4	0.86	12.8	1.46	13.9	2.12	15.3	2.85	17.7	3.64	19.4	4.46	22	5.36		
3750	834		985		1112		1232		1345		1451		1553					
	11.4	0.625	14	1.22	16	1.88	16.4	3.98	16.6	3.41	19.3	4.26	21	5.16				
4375	973		1107		1220		1327		1429		1526							
	15.3	1	18.3	1.67	17.7	2.42	17.8	3.21	21	4.1	21	4.99						
5000	1112		1233		1336		1432		1524									
	19.8	1.49	20	2.23	19.5	3.08	22	3.96	23	4.88								
5625	1250		1361		1455		1543											
	20	2.13	22	2.94	24	3.86	25	4.82										
6250	1385		1491		1578													
	24	2.91	26	3.8	27	4.8												
6875	1526		1622															
	28	3.6	29	4.82														

CKS Fan has the right to change the engineering data, design and dimension without prior notice.

RCD-A-24HBS



Model	Power	AC motor 1Ø	AC motor 3Ø	Maxiumum Speed
RCD-A-24HBS	1.0HP	220V/60Hz	380V/60Hz	680RPM
	1.0HP	120V/60Hz	230V/60Hz	
	1.5HP	220V/60Hz	380V/60Hz	760RPM
	1.5HP	120V/60Hz	230V/60Hz	
	2.0HP	220V/60Hz	380V/60Hz	860RPM
	2.0HP	120V/60Hz	230V/60Hz	
	3.0HP	None	380V/60Hz	1000RPM
	3.0HP		230V/60Hz	

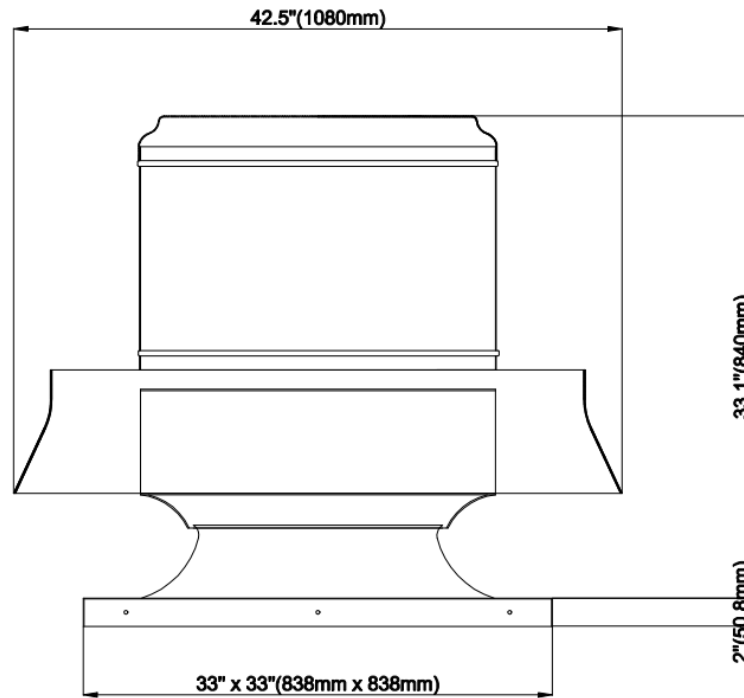
CKS Fan has the right to change the engineering data, design and dimension without prior notice.

RCD Downblast Roof Fan

CFM	Static Pressure in Inches W.G.																							
	0.000		0.250		0.500		0.750		1.000		1.250		1.500		1.750		2.000		2.250		2.500		2.750	
	RPM		RPM		RPM		RPM		RPM		RPM		RPM		RPM		RPM		RPM		RPM		RPM	
	Sone	BHP	Sone	BHP	Sone	BHP	Sone	BHP	Sone	BHP	Sone	BHP	Sone	BHP	Sone	BHP	Sone	BHP	Sone	BHP	Sone	BHP	Sone	BHP
1900					518																			
					7.2	0.3																		
2800			434		542		641		734		819													
			5.8	0.22	7.8	0.41	10.8	0.64	14.1	0.89	16.1	1.16												
3700	422		511		598		679		756		831		903		972		1037		1098					
	6.5	0.17	8.3	0.36	9.4	0.58	12.1	0.83	14.9	1.1	16.3	1.4	17.6	1.73	19.7	2.08	22	2.43	25	2.8				
4600	527		597		670		739		805		868		930		990		1049		1107		1163		1218	
	9.5	0.34	11.1	0.56	13.2	0.82	15.4	1.1	15.9	1.4	16.9	1.72	18.2	2.06	20	2.43	23	2.81	25	3.22	27	3.64	28	4.08
5500	633		690		751		811		869		924		978		1031		1083		1134		1184		1234	
	13.3	0.59	14.7	0.85	17.1	1.14	14.6	1.46	18	1.79	18	2.14	19.9	2.51	22	2.89	24	3.29	26	3.71	27	4.16	29	4.61
6400	738		786		838		891		942		992		1040		1088		1134		1179		1224			
	17.4	0.93	18.8	1.23	18.8	1.56	18.9	1.92	20	2.29	21	2.67	23	3.07	26	3.48	27	3.91	28	4.35	29	4.81		
7300	844		885		930		976		1022		1067		1111		1154		1196							
	19.6	1.39	20	1.72	21	2.09	23	2.48	24	2.9	26	3.32	28	3.76	29	4.2	30	4.66						
8200	949		986		1025		1065		1106		1147		1187											
	22	1.98	24	2.35	25	2.75	28	3.18	30	3.63	31	4.09	32	4.57										
9100	1055		1087		1122		1158		1194															
	27	2.71	30	3.12	30	3.56	31	4.02	33	4.51														
10000	1160		1189		1220																			
	33	3.61	33	4.05	34	4.53																		
11000	1265																							
	37	4.69																						

CKS Fan has the right to change the engineering data, design and dimension without prior notice.

RCD-A-24BS



Model	Power	AC motor 1Ø	AC motor 3Ø	Fan Speed
RCD-A-24BS	2.0HP	220V/60Hz	380V/60Hz	900RPM
	2.0HP	120V/60Hz	230V/60Hz	
	3.0HP	None	380V/60Hz	1100RPM
	3.0HP		230V/60Hz	
	4.0HP	None	380V/60Hz	1200RPM
	4.0HP		230V/60Hz	

CKS Fan has the right to change the engineering data, design and dimension without prior notice.

CFM	Static Pressure in Inches W.G.																			
	0		0.5		1		1.5		2		2.5		3		3.5		4		4.5	
	RPM		RPM		RPM		RPM		RPM		RPM		RPM		RPM		RPM		RPM	
	Sone	BHP	Sone	BHP	Sone	BHP	Sone	BHP	Sone	BHP	Sone	BHP	Sone	BHP	Sone	BHP	Sone	BHP	Sone	BHP
2000					525		678		811											
					9.7	0.57	15.4	0.94	21	1.34										
3000			429		575		709		831		943		1045		1141		1231		1316	
			8.5	0.41	11.8	0.77	17.1	1.2	20	1.67	21	2.18	22	2.73	24	3.31	26	3.9	29	4.53
4000	431		551		664		774		880		980		1075		1165		1251			
	10.8	0.29	23.2	0.65	15.9	1.08	21	1.55	20	2.07	21	2.64	22	3.24	24	3.88	27	4.55		
5000	589		686		778		869		958		1045		1129		1211					
	16.3	0.56	17.7	1.01	21	1.5	21	2.03	21	2.61	22	3.23	23	3.88	26	4.57				
6000	747		829		907		983		1059		1133		1207							
	19.8	0.97	22	1.49	24	2.06	24	2.66	25	2.3	26	3.98	25	4.68						
7000	904		975		1043		1110		1175		1240									
	24	1.53	27	2.14	27	2.78	29	3.46	28	4.17	29	4.91								
8000	1062		1125		1185		1244													
	29	2.29	31	2.98	31	3.7	33	1.15												
9000	1220		1276		1330															
	34	3.26	39	4.03	38	4.83														
10000	1378		1417																	
	44	4.47	46	4.87																
11000	1516																			
	49	5.7																		

CKS Fan has the right to change the engineering data, design and dimension without prior notice.

RCD Notes

- Please check all the parts of the body in details and make sure whether there is damage inside or not. It is because the fan may be damage during the transportation. If any, it should be repaired before it install
- The motor and impeller should connect properly, and its protection level is IP54, insulation class is F.
- Please do check the fan and duct, and ensure that there are no obstructions to hinder the rotation. If any, it should be cleared before starting
- Running in a given value and the fan should be rotate in a given direction
- If any unexpected sound and strenuous vibration occurred, please switch off the blower and repair the breakdown before it use.
- The fan cannot bear the weight of duct and it needs to provide an extra bearing frame to bearing.

General Questions

Did not rotate

- Wrong Voltage
- Power shut down or wrong wiring
- Overload protection
- Fuse burn-out.
- Loose of pulley.
- Failure of belt

Limited Air Volume

- Wrong rotate direction.
- The real air speed is lower than expected
- Static pressure is too much
- Restricted Inlet or Outlet
- Blocked Inlet or Outlet

Too much Air Volume

- The real air speed is higher than expected
- Static pressure is too less
- The blower is not installed in the right position

Company Introduction

CKS FangYuan Industry is China based business owned and operated by its management team. We specialize in air movement and have experience gained more than ten years of operation with worldwide predecessors. We service the ventilation equipment needs of customers ranging from HVAC through mining, manufacturing, construction, and agriculture as well as retail end users include Tianjin and Suzhou retail stores. We build our products in state of the art facilities in Guangzhou, WuHan and DeQing. We adapt ISO9001 quality system to ensure our customers are using best products.

Capabilities and Services

1. Fan and Blower design and manufacture
2. Fully performance tested products and published data
3. In-house design engineering team
4. Scale and capacity to handle any size project
5. Servicing overseas markets with built products and OEM supply
6. Sales and after sales support teams



Guangzhou

Tel: +86 (020) 87481162

Fax: +86 (020) 87481612

China

Certification:



国家防爆



Guangzhou AoZhong Fan Equipment Co.,LTD

