

Guangzhou AoZhong Fan Equipment Co.,LTD

CKS FangYuan Industry



CHA Square Inline Fan

CKS Fang Yuan Industry CHA Square Inline Fan are designed to provide efficient and reliable operation for commercial and extractive industry. Our products are manufactured with state of the art laser, forming, spinning and welding equipment and ensure our quality control testing to ensure trouble free start-up. Our CHA Square Inline Fan are including industry leading design features to ensure your ventilation equipment has the latest technologies available

Main feature with CHA Square Inline Fan,,

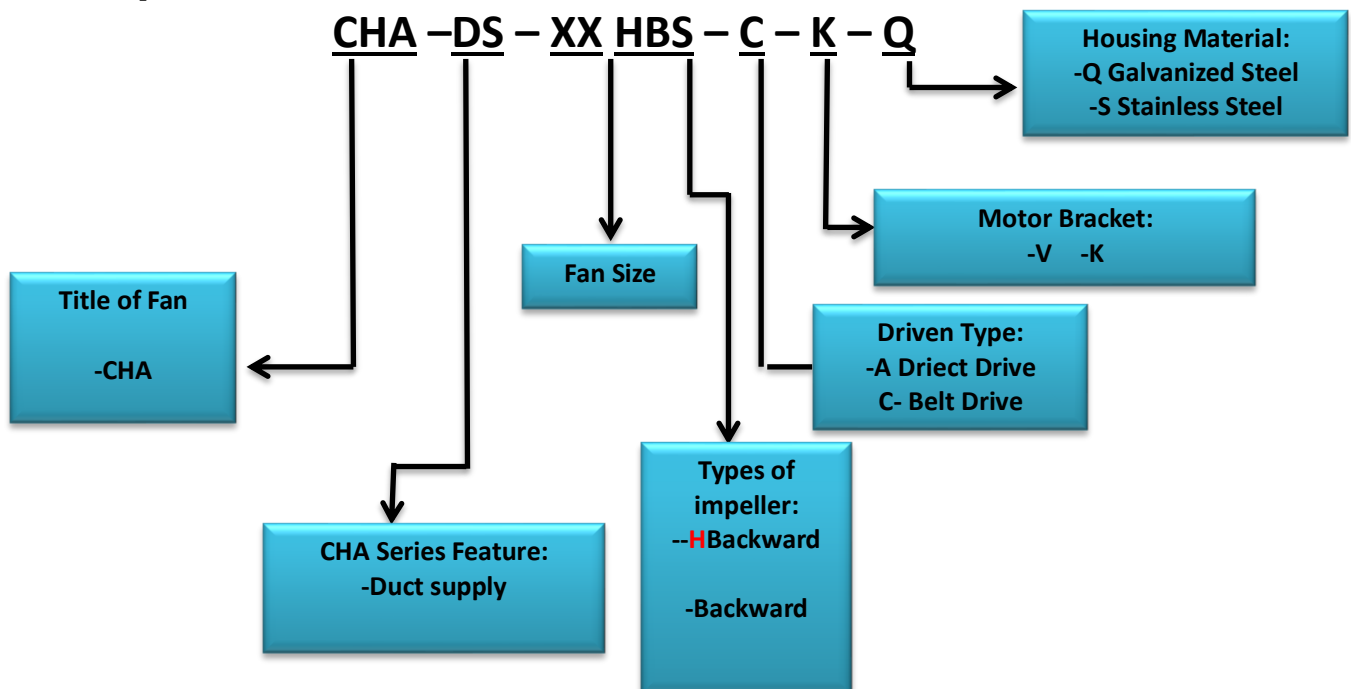
- Full mold, full welded structure, galvanized sheet or stainless steel housing
- Technology axial impeller with higher efficiency and lower noise
- Compact design, easy to install
- It is designed for direct connection in line with standard diameter circular ducting
- Chinese Energy Saving label
- ISO9001:2000 controllable standard

Every CHA Square Inline Fan has been tested for three different planes before package.
Typical applications include:

- Factory Exhaust
- Restaurant Grease Exhaust
- Low noise Industry
- Agricultural area

Engineers in Guangzhou AoZhong Fan Equipment Co.,LTD can assist you in improving the operational efficiency of the air movement in your system.

CHA Square Inline Fan Model Number Code



CHA Structure

CHA Series: The product is made in carbon steel with aluminum alloy wheel, which is cutting, by laser to ensure high-precision mold line. Driven cavity cover adopt galvanized material, which can open with hands, and convenient to daily cleaning maintenance. Different ways of motor with different transmission need to select different motor bracket. The impeller adopts laser cutting technology and die stretch forming. A different work environment needs to adopt different impeller material. Carbon steel, stainless steel and aluminum alloy impeller are optional.. Impeller balance test grades are in strict accordance with the G4.0 ISO1940, and meet its requirements. In this series, CHA Square inline fan use aluminum alloy wheel.

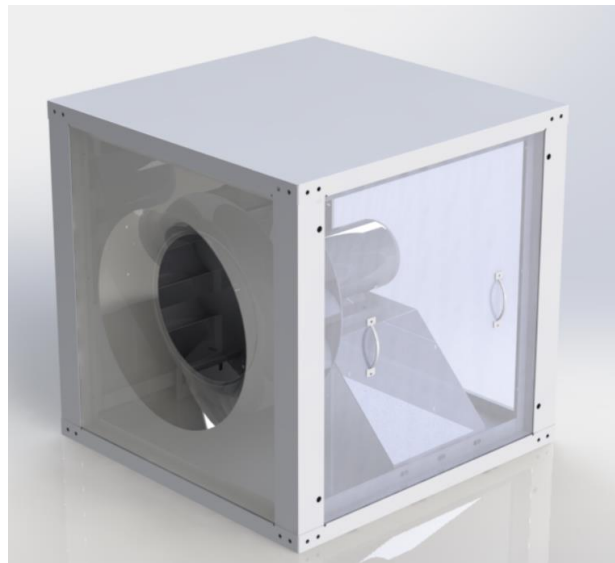


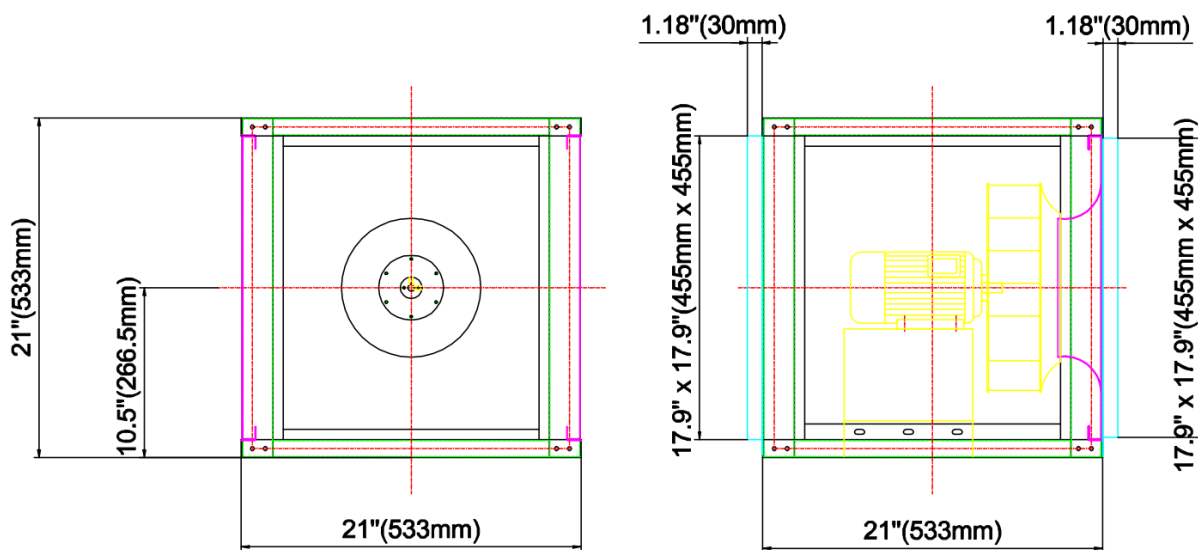
Figure 1 Direct Drive



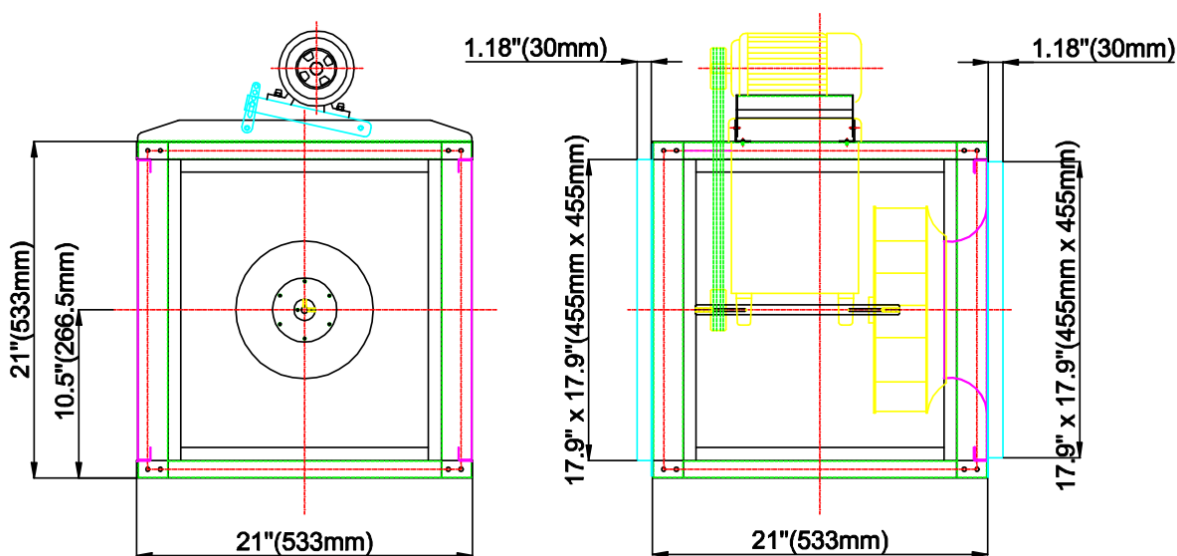
Figure 2 Belt Drive

CHA-DS Technical Data

CHA-DS-08HBS-A-V-Q



CHA-DS-08HBS-C-K-Q



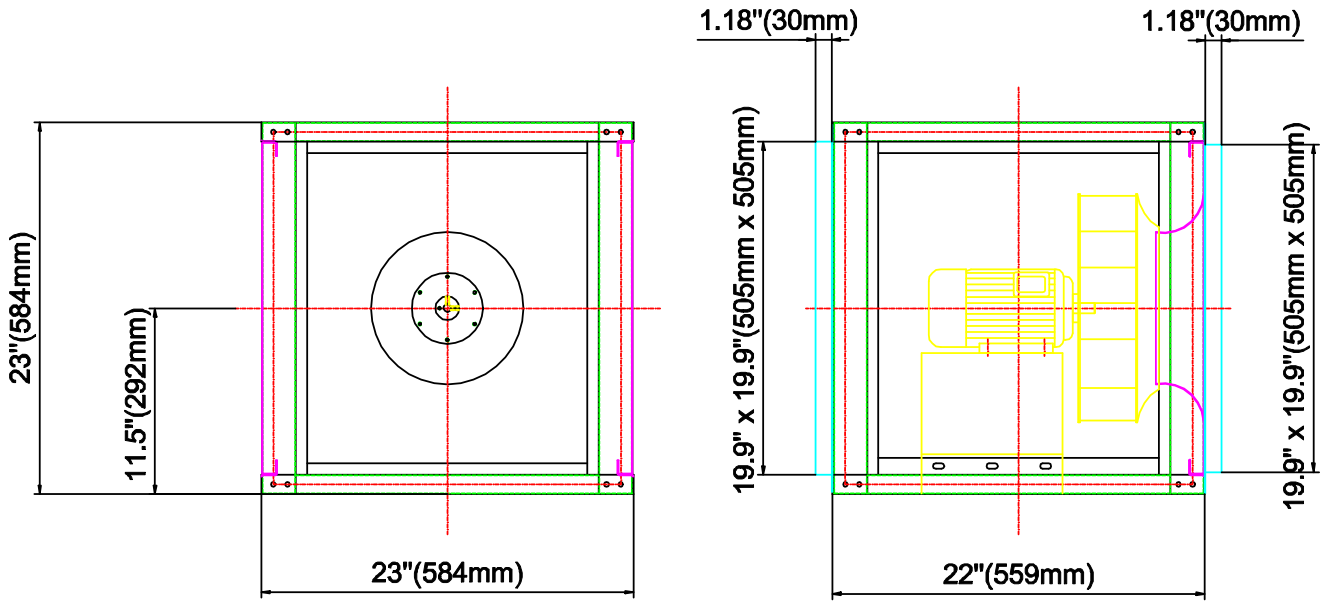
CHA Square Inline Fan

CHA-DS-08HBS - Performance Data

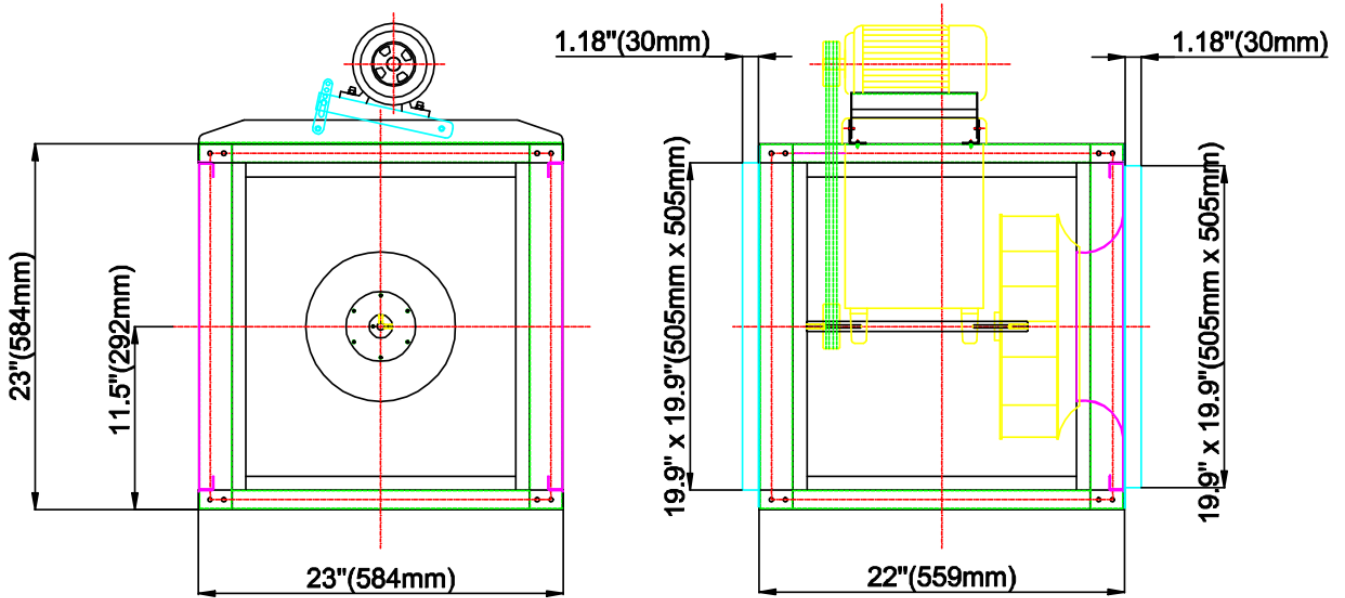
		Static Pressure in Inches wg										
Motor HP	Fan RPM		0.125	0.250	0.500	0.750	1.000	1.250	1.500	1.750	2.000	2.500
1/4	780	CFM	1084	911								
		BHP	0.086	0.087								
		Sones	7.7	7.7								
	911	CFM	1275	1151	709							
		BHP	0.13	0.13	0.12							
		Sones	8.8	8.7	8.5							
	1173	CFM	1652	1563	1328	958						
		BHP	0.24	0.25	0.26	0.24						
		Sones	11.8	11.6	11.2	10.6						
1/3	1304	CFM	1838	1754	1568	1299						
		BHP	0.32	0.33	0.35	0.34						
		Sones	13.6	13.3	12.8	12.4						
1/2	1407	CFM	1984	1902	1743	1515	1204					
		BHP	0.4	0.41	0.43	0.42	0.4					
		Sones	14.8	14.5	13.9	13.3	12.6					
	1510	CFM	2126	2050	1908	1714	1468	1121				
		BHP	0.48	0.49	0.52	0.52	0.51	0.47				
		Sones	15.9	15.6	15	14.3	13.6	12.7				
3/4	1746	CFM	2448	2389	2266	2128	1949	1740	1462			
		BHP	0.72	0.73	0.76	0.78	0.78	0.76	0.73			
		Sones	19.9	19.5	18.8	18.2	17.2	15.9	14.7			
1	1840	CFM	2576	2523	2403	2279	2120	1934	1714	1419		
		BHP	0.83	0.84	0.87	0.9	0.91	0.89	0.87	0.83		
		Sones	21	21	19.9	19.3	18.4	17.3	16.7	16.2		
	1933	CFM	2702	2655	2537	2426	2286	2117	1926	1686	1319	
		BHP	0.95	0.96	1	1.03	1.05	1.03	1.02	0.99	0.89	
		Sones	23	22	21	20	19.8	18.7	18	17.9	18.5	
1 1/2	2082	CFM	2905	2864	2751	2653	2533	2390	2227	2045	1823	
		BHP	1.17	1.18	1.22	1.25	1.28	1.28	1.27	1.26	1.22	
		Sones	26	25	24	22	22	21	20	19.9	21	
	2235	CFM	3112	3074	2971	2877	2777	2659	2514	2359	2189	1732
		BHP	1.43	1.44	1.48	1.52	1.55	1.58	1.57	1.55	1.54	1.44
		Sones	30	28	28	25	24	23	22	22	22	27

CHA Square Inline Fan

CHA-DS-10HBS-A-V-Q



CHA-DS-10HBS-C-K-Q



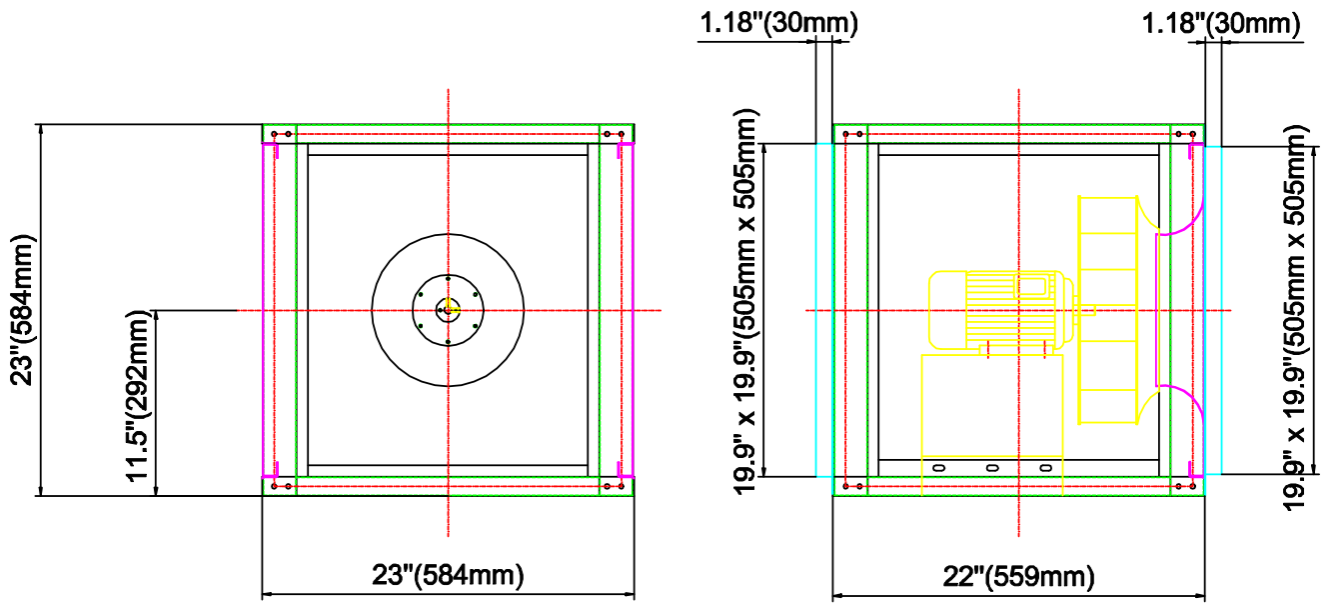
CHA Square Inline Fan

CHA-DS-10HBS - Performance Data

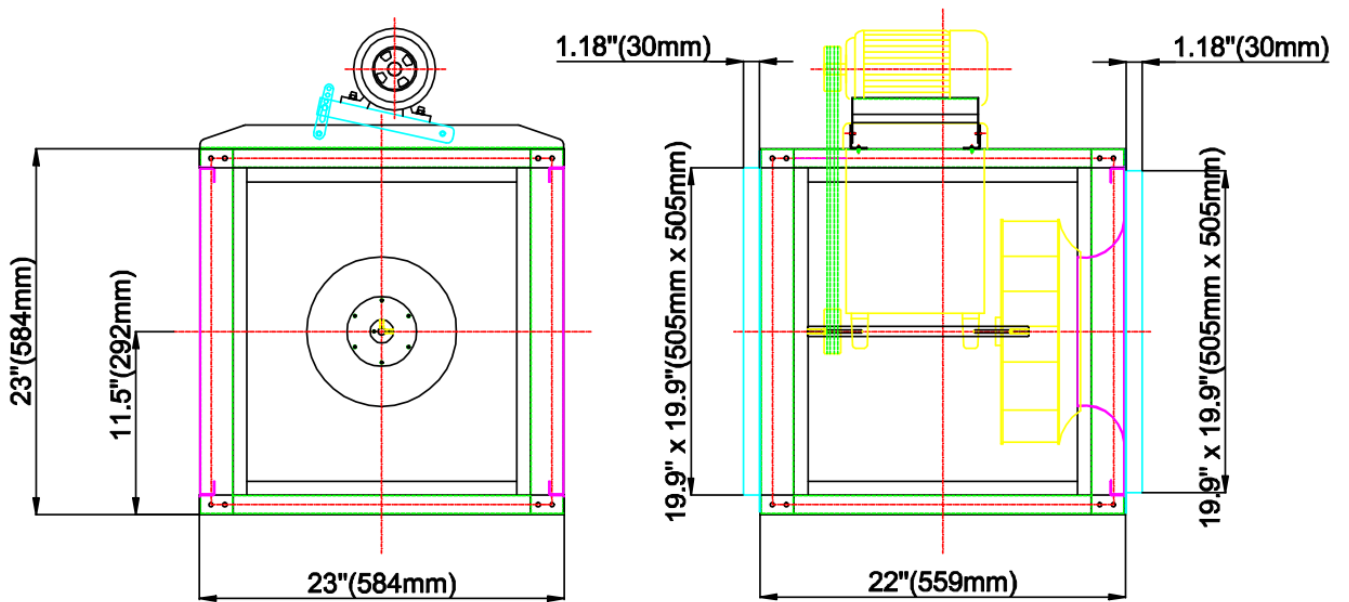
		Static Pressure in Inches wg										
Motor HP	Fan RPM		0.125	0.250	0.500	0.750	1.000	1.500	1.750	2.000	2.500	2.750
1/4	780	CFM	1362	1185								
		BHP	0.1	0.11								
		Sones	6.3	6.7								
	1056	CFM	1927	1810	1538							
		BHP	0.24	0.25	0.26							
		Sones	10.7	10.7	10.2							
1/3	1165	CFM	2142	2039	1807	1463						
		BHP	0.32	0.33	0.35	0.34						
		Sones	12.1	11.9	12	10.6						
1/2	1251	CFM	2311	2217	2006	1741	1199					
		BHP	0.39	0.41	0.43	0.43	0.39					
		Sones	13.3	13	13.1	13	12.7					
	1336	CFM	2476	2392	2197	1979	1636					
		BHP	0.48	0.49	0.51	0.52	0.51					
		Sones	14.2	13.9	13.8	13.8	13.8					
3/4	1523	CFM	2858	2787	2626	2449	2253	1447				
		BHP	0.71	0.73	0.75	0.78	0.79	0.7				
		Sones	16.2	16	16	15.6	15.3	13.9				
1	1611	CFM	3008	2941	2790	2625	2446	1865				
		BHP	0.82	0.84	0.86	0.89	0.91	0.87				
		Sones	17.1	16.9	16.9	16.6	16.1	14.8				
	1689	CFM	3159	3094	2953	2798	2635	2177	1752			
		BHP	0.95	0.96	0.99	1.02	1.05	1.03	0.97			
		Sones	18.2	18	17.9	17.7	17.2	16.1	15.1			
1 1/2	1936	CFM	3633	3576	3461	3330	3193	2894	2705	2457		
		BHP	1.41	1.43	1.47	1.49	1.53	1.57	1.57	1.55		
		Sones	24	23	24	24	23	22	21	20		
2	2035	CFM	3822	3769	3662	3537	3410	3136	2982	2777	2168	
		BHP	1.63	1.66	1.7	1.73	1.75	1.82	1.82	1.81	1.7	
		Sones	27	26	28	27	26	25	24	23	21	
	2133	CFM	4009	3958	3856	3741	3622	3365	3225	3078	2627	2260
		BHP	1.88	1.9	1.95	1.98	2	2.08	2.1	2.1	2.05	1.95
		Sones	30	30	31	31	30	28	28	27	25	23

CHA Square Inline Fan

CHA-DS-10BS-A-V-Q



CHA-DS-10BS-C-K-Q



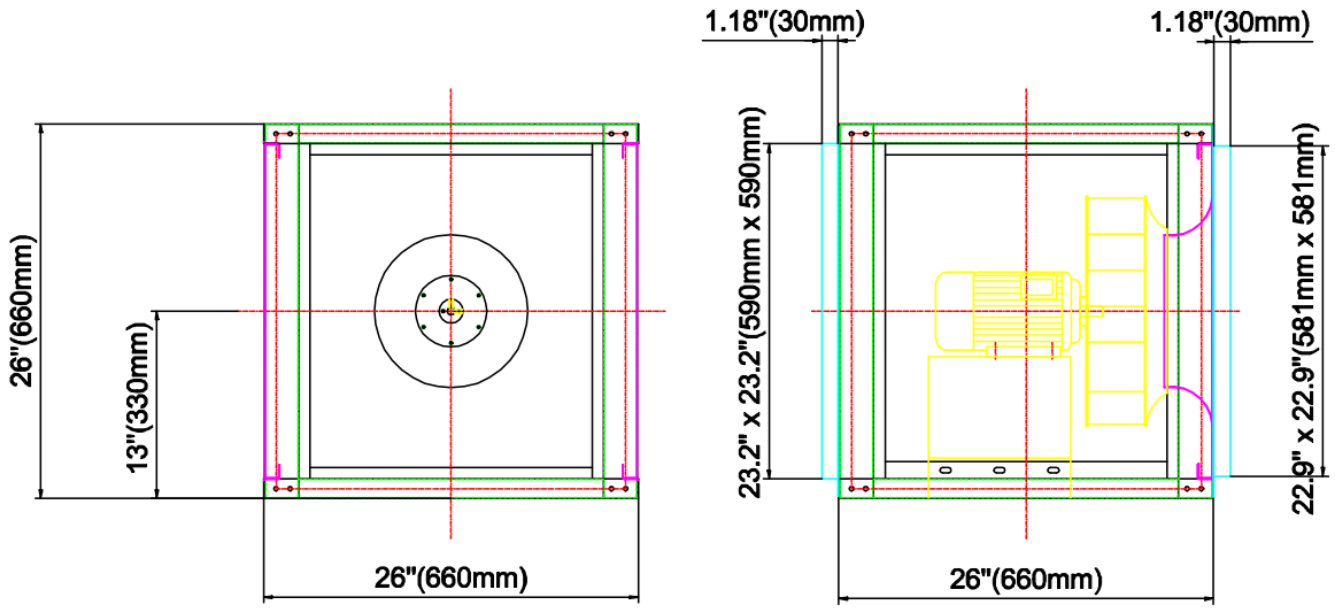
CHA Square Inline Fan

CHA-DS-10BS - Performance Data

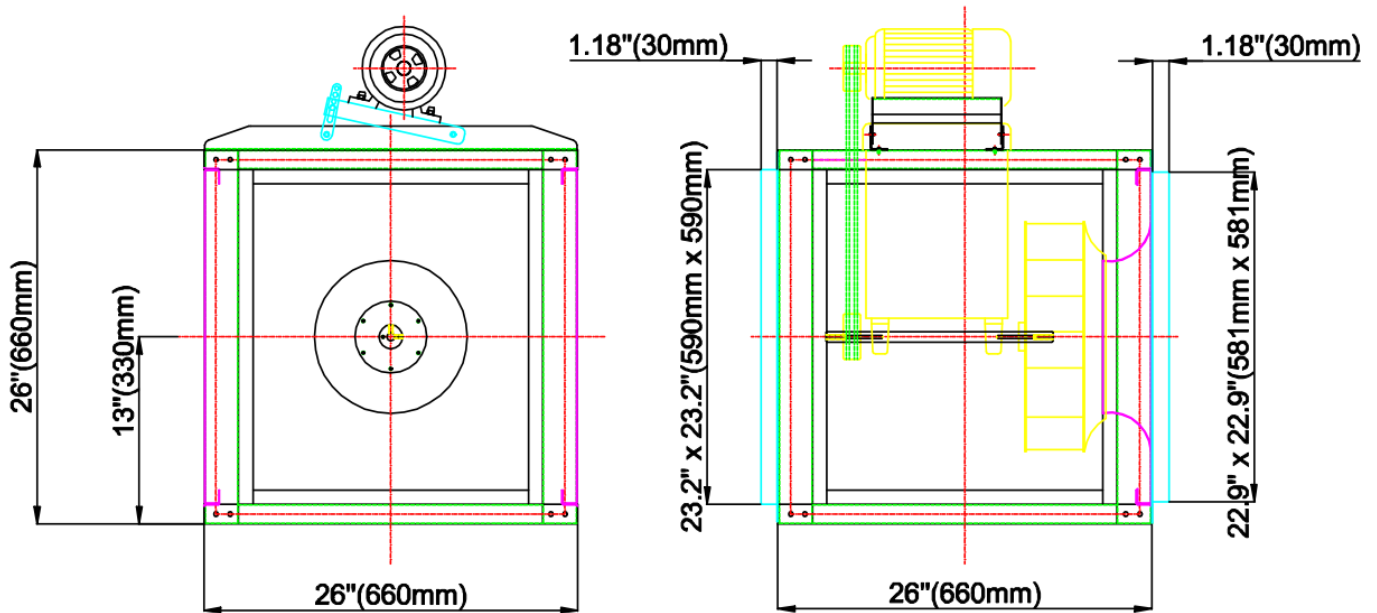
		Static Pressure in Inches wg										
Motor HP	Fan RPM		0.500	0.750	1.000	1.250	1.500	1.750	2.000	2.500	3.000	3.500
1/4	1320	CFM	1285	1082								
		BHP	0.27	0.27								
		Sones	11.4	11.2								
	1433	CFM	1449	1281	1058							
		BHP	0.35	0.35	0.34							
		Sones	13.3	12.8	12.4							
1/2	1539	CFM	1601	1452	1270	948						
		BHP	0.42	0.43	0.43	0.39						
		Sones	15.1	14.6	14.2	13.4						
	1644	CFM	1742	1607	1456	1264	800					
		BHP	0.51	0.52	0.52	0.52	0.43					
		Sones	16.5	15.9	15.5	15	13.8					
3/4	1765	CFM	1902	1782	1652	1495	1307					
		BHP	0.63	0.64	0.65	0.65	0.64					
		Sones	17.9	17.3	16.7	16.1	15.5					
	1885	CFM	2057	1954	1832	1701	1548	1363				
		BHP	0.76	0.77	0.79	0.79	0.79	0.77				
		Sones	19.7	19.1	18.4	17.7	17.1	16.7				
1	2076	CFM	2298	2211	2108	1998	1878	1741	1581			
		BHP	1.01	1.02	1.03	1.05	1.05	1.05	1.04			
		Sones	24	23	22	21	20	20	19.7			
1 1/2	2177	CFM	2425	2344	2253	2145	2041	1918	1783	1299		
		BHP	1.16	1.18	1.18	1.21	1.21	1.21	1.21	1.08		
		Sones	26	25	24	23	22	22	22	22		
	2379	CFM	2676	2603	2525	2437	2339	2244	2134	1882	1381	
		BHP	1.5	1.52	1.53	1.54	1.57	1.57	1.57	1.56	1.39	
		Sones	30	29	28	27	26	25	24	23	23	
2	2500	CFM	2825	2755	2684	2606	2515	2423	2330	2107	1839	
		BHP	1.73	1.76	1.78	1.78	1.81	1.82	1.82	1.82	1.79	
		Sones	32	31	30	30	28	27	26	25	24	
	2621	CFM	2973	2907	2841	2768	2688	2599	2512	2319	2008	1759
		BHP	1.98	2.01	2.04	2.05	2.06	2.09	2.1	2.1	2.09	2
		Sones	33	33	33	32	31	30	29	27	26	24

CHA Square Inline Fan

CHA-DS-14HBS-A-V-Q



CHA-DS-14HBS-C-K-Q



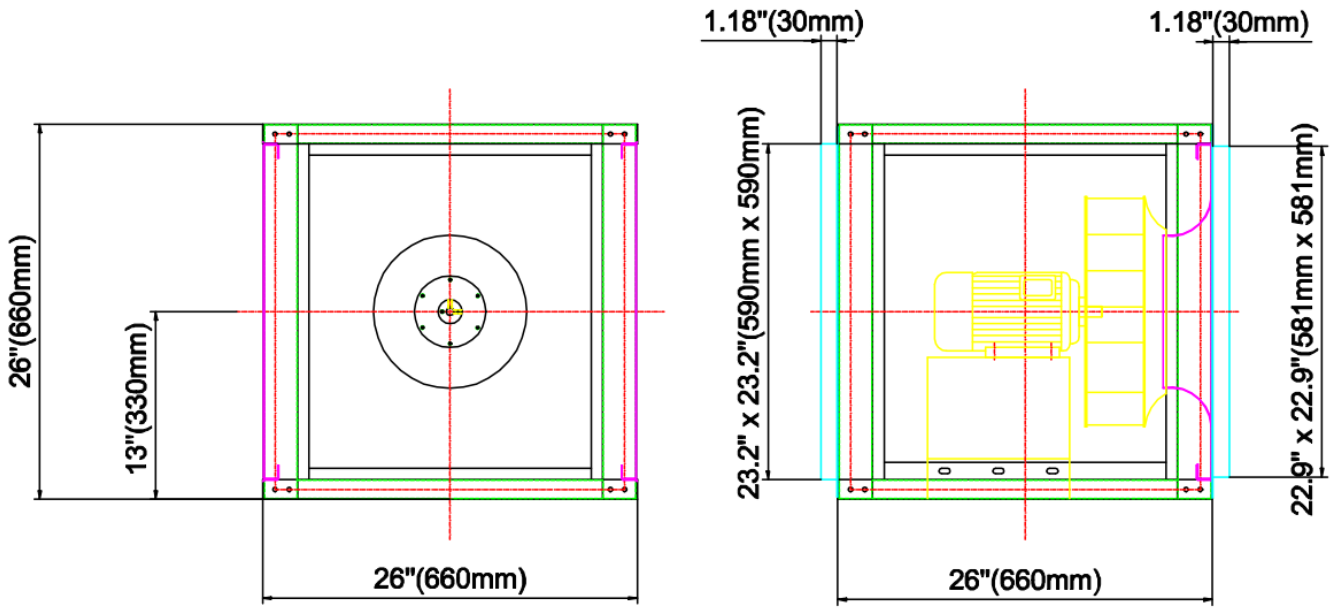
CHA Square Inline Fan

CHA-DS-14HBS - Performance Data

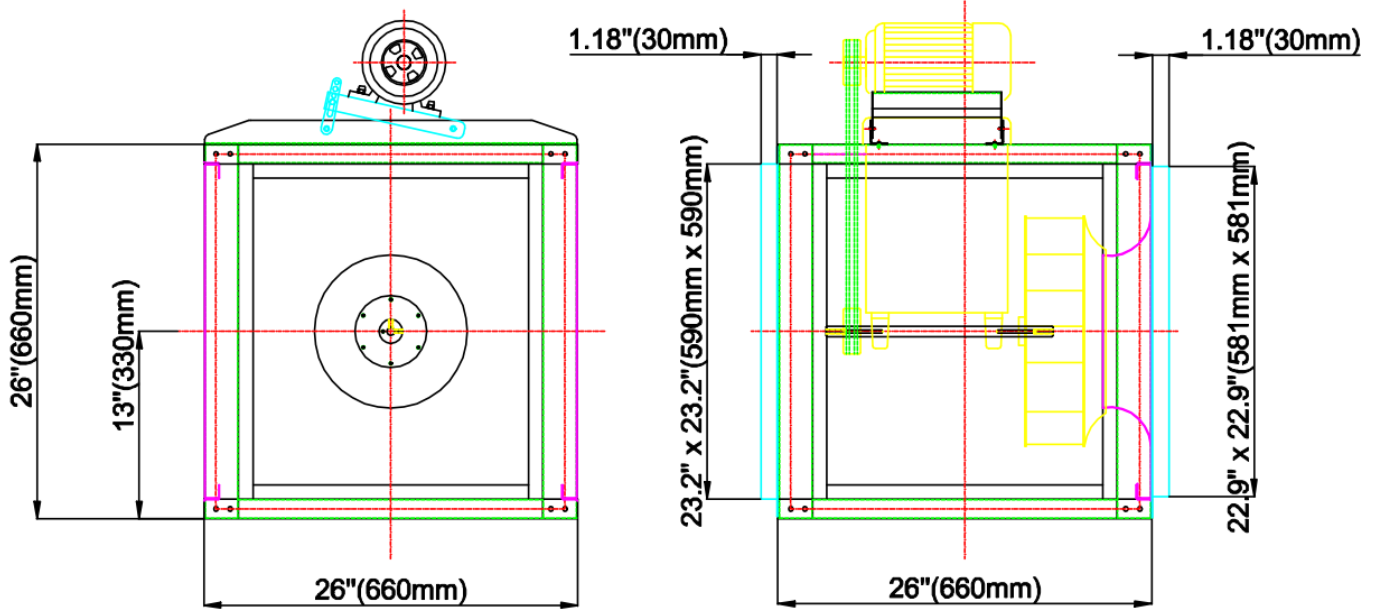
		Static Pressure in Inches wg										
Motor HP	Fan RPM		0.125	0.500	0.750	1.000	1.500	1.750	2.000	2.250	2.500	3.000
1/4	630	CFM	1671									
		BHP	0.1									
		Sones	6.6									
	853	CFM	2373	1759								
		BHP	0.23	0.26								
		Sones	8.8	8.2								
1/3	942	CFM	2643	2150								
		BHP	0.31	0.35								
		Sones	9.9	0.93								
1/2	1081	CFM	3061	2665	2301							
		BHP	0.46	0.51	0.52							
		Sones	12.4	11.4	11.2							
3/4	1241	CFM	3538	3212	2946	2611						
		BHP	0.68	0.74	0.78	0.78						
		Sones	15.5	14.6	14.4	13.2						
1	1367	CFM	3911	3628	3402	3146	2311					
		BHP	0.9	0.97	1.01	1.04	0.96					
		Sones	18	17.2	16.9	16.1	13.1					
1 1/2	1468	CFM	4209	3949	3745	3519	2921	2420				
		BHP	1.1	1.18	1.23	1.27	1.27	1.17				
		Sones	19.9	19	18.9	18.4	15.9	14.5				
	1568	CFM	4503	4259	4079	3880	3389	3055	2566			
		BHP	1.33	1.42	1.47	1.52	1.56	1.53	1.42			
		Sones	22	21	22	21	18.9	17.5	16.1			
2	1728	CFM	4973	4751	4603	4425	4037	3802	3528	3185		
		BHP	1.77	1.88	1.92	1.98	2.08	2.09	2.07	2.01		
		Sones	28	26	27	27	24	23	22	19.9		
3	1855	CFM	5345	5138	5000	4847	4501	4312	4091	3844	3530	
		BHP	2.18	2.3	2.35	2.41	2.53	2.57	2.58	2.56	2.5	
		Sones	33	31	31	32	30	29	27	25	23	
	1981	CFM	5713	5519	5390	5260	4946	4774	4596	4392	4160	3566
		BHP	2.64	2.77	2.84	2.89	3.03	3.08	3.12	3.14	3.12	2.99
		Sones	40	36	36	38	38	36	34	31	29	26

CHA Square Inline Fan

CHA-DS-14BS-A-V-Q



CHA-DS-14BS-C-K-Q



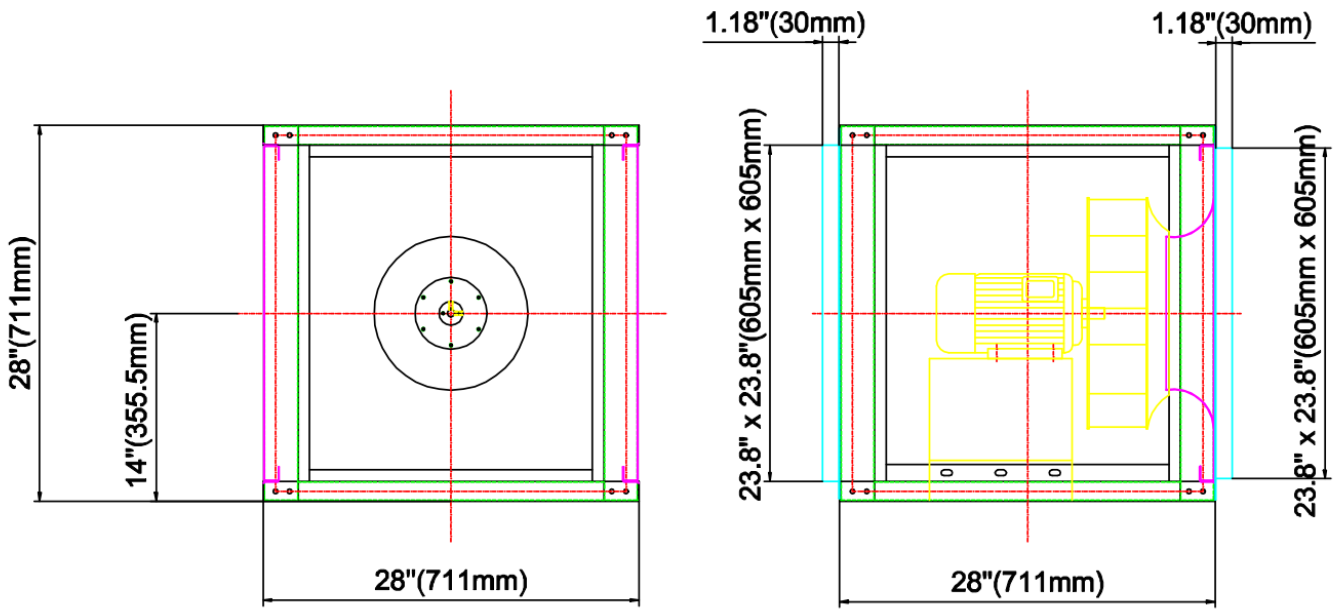
CHA Square Inline Fan

CHA-DS-14BS - Performance Data

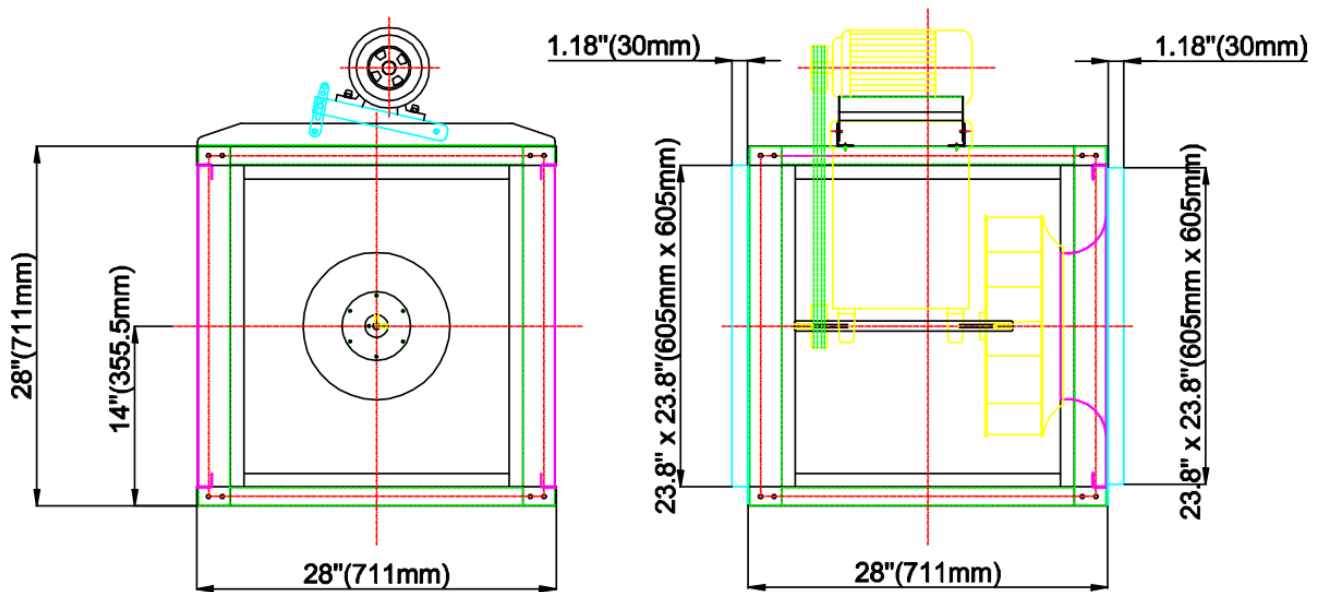
Static Pressure in Inches wg												
Motor HP	Fan RPM		0.125	0.500	0.750	1.000	1.500	1.750	2.000	2.250	2.500	3.000
1/3	1030	CFM	1699	1290								
		BHP	0.29	0.28								
		Sones	7.8	7.2								
	1096	CFM	1844	1533								
		BHP	0.35	0.35								
		Sones	8.6	8								
1/2	1257	CFM	2237	2020	1731	1305						
		BHP	0.5	0.52	0.52	0.49						
		Sones	10.8	10.1	9.6	8.9						
3/4	1442	CFM	2664	2497	2299	2050	1720					
		BHP	0.74	0.77	0.79	0.78	0.76					
		Sones	14.1	13.4	12.9	12.7	12.6					
1	1589	CFM	2986	2845	2688	2497	2269	1601				
		BHP	0.97	1	1.03	1.05	1.04	0.97				
		Sones	17.8	17.3	16.7	16.3	16.4	16.9				
1 1/2	1706	CFM	3239	3116	2974	2814	2630	2157				
		BHP	1.18	1.22	1.25	1.28	1.29	1.26				
		Sones	22	21	21	19.8	19.8	21				
	1822	CFM	3488	3377	3248	3115	2954	2570	2013			
		BHP	1.42	1.47	1.51	1.54	1.56	1.56	1.49			
		Sones	25	24	24	23	22	23	25			
2	1915	CFM	3686	3580	3464	3338	3200	2859	2435			
		BHP	1.63	1.68	1.73	1.77	1.8	1.82	1.79			
		Sones	27	25	25	25	24	24	25			
	2007	CFM	3881	3780	3676	3555	3434	3135	2763	2248		
		BHP	1.87	1.92	1.97	2.01	2.05	2.09	2.07	1.99		
		Sones	28	28	25	27	26	26	27	28		
3	2154	CFM	4191	4097	4002	3897	3785	3536	3230	2866	2357	
		BHP	2.29	2.34	2.4	2.45	2.49	2.56	2.58	2.55	2.44	
		Sones	32	31	28	28	29	29	29	30	31	
	2301	CFM	4499	4411	4322	4234	4129	3918	3660	3351	3001	2505
		BHP	2.77	2.83	2.89	2.95	3	3.09	3.14	3.13	3.09	2.97
		Sones	36	34	34	28	31	32	33	33	33	34

CHA Square Inline Fan

CHA-DS-16HBS-A-V-Q



CHA-DS-16HBS-C-K-Q



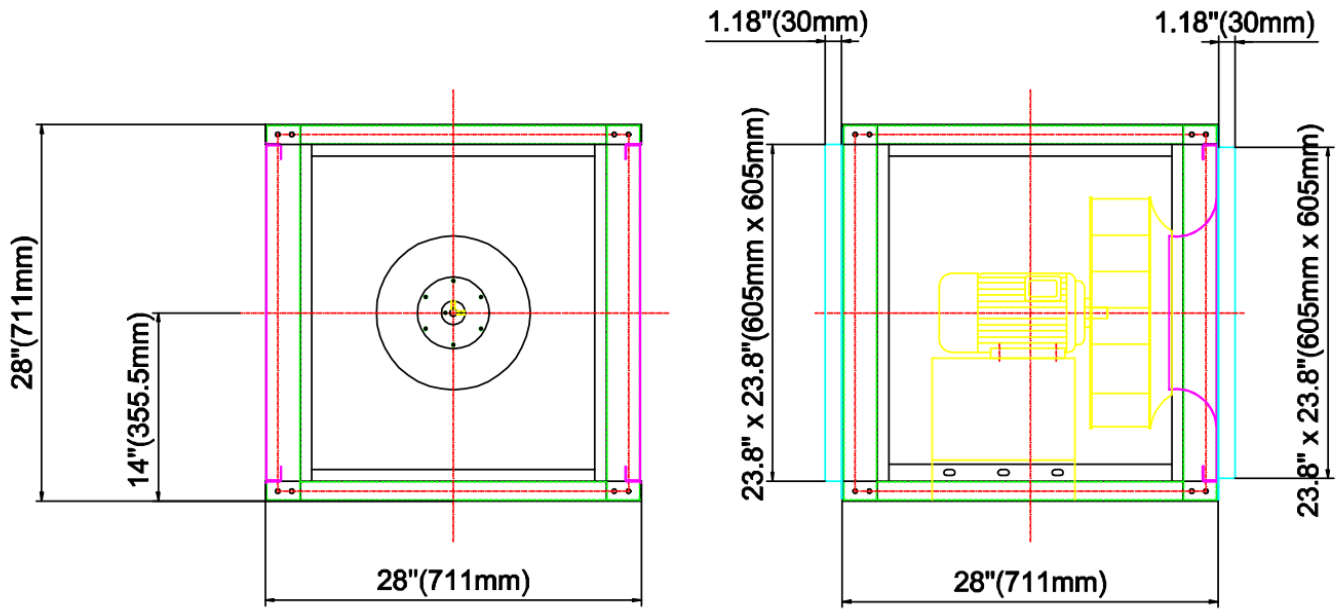
CHA Square Inline Fan

CHA-DS-16HBS - Performance Data

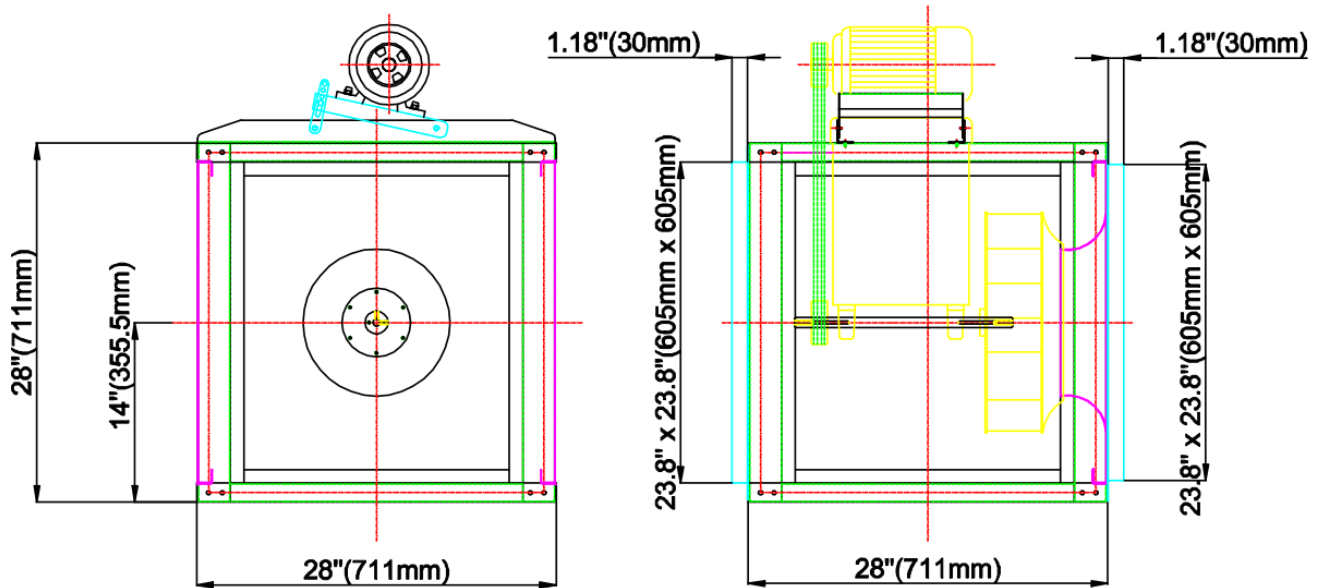
		Static Pressure in Inches wg										
Motor HP	Fan RPM		0.125	0.250	0.500	0.750	1.000	1.250	1.500	1.750	2.000	2.500
1/3	680	CFM	2649	2387								
		BHP	0.23	0.24								
		Sones	10	9.6								
	771	CFM	3051	2845	2217							
		BHP	0.32	0.34	0.35							
		Sones	10.6	10.9	9.6							
1/2	885	CFM	3546	3366	2928	2175						
		BHP	0.48	0.49	0.52	0.49						
		Sones	12.2	12.1	11.6	10.8						
3/4	1017	CFM	4109	3955	3616	3179	2432					
		BHP	0.71	0.73	0.77	0.79	0.73					
		Sones	14.5	14.2	13.5	13.4	12.8					
1	1121	CFM	4549	4412	4127	3760	3290	2523				
		BHP	0.94	0.96	1.01	1.04	1.04	0.96				
		Sones	16.5	16.1	15.4	15	14.9	13.8				
1 1/2	1204	CFM	4898	4774	4507	4194	3836	3300	2331			
		BHP	1.15	1.18	1.23	1.28	1.29	1.27	1.08			
		Sones	18.4	17.7	17.1	16.5	16.5	15.8	14.4			
	1286	CFM	5242	5128	4878	4610	4281	3884	3332			
		BHP	1.4	1.43	1.48	1.53	1.56	1.57	1.5			
		Sones	20	19.5	18.8	18.3	17.8	17.5	16.8			
2	1352	CFM	5519	5410	5174	4937	4630	4308	3854	3218		
		BHP	1.62	1.65	1.71	1.75	1.81	1.82	1.81	1.7		
		Sones	22	21	20	19.8	19	18.7	18.3	17.5		
	1417	CFM	5790	5686	5463	5236	4964	4662	4298	3814	3106	
		BHP	1.86	1.89	1.95	2	2.06	2.09	2.09	2.04	1.89	
		Sones	23	22	22	21	21	19.7	19.6	19.1	18.2	
3	1521	CFM	6224	6127	5922	5710	5488	5213	4927	4567	4116	
		BHP	2.29	2.32	2.38	2.45	2.5	2.56	2.58	2.57	2.52	
		Sones	26	25	25	24	24	22	22	21	21	
	1625	CFM	6656	6566	6377	6179	5981	5744	5485	5216	4866	3898
		BHP	2.78	2.81	2.88	2.95	3.01	3.07	3.12	3.14	3.13	2.94
		Sones	29	28	28	27	27	26	24	24	24	23

CHA Square Inline Fan

CHA-DS-16BS-A-V-Q



CHA-DS-16BS-C-K-Q



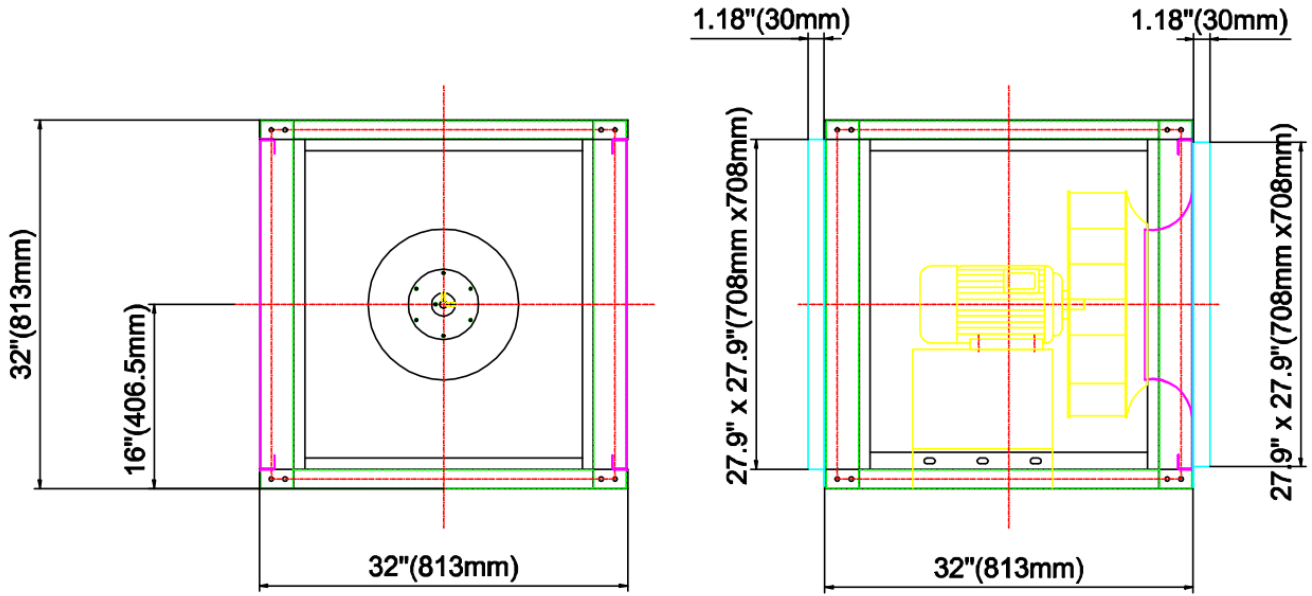
CHA Square Inline Fan

CHA-DS-16BS - Performance Data

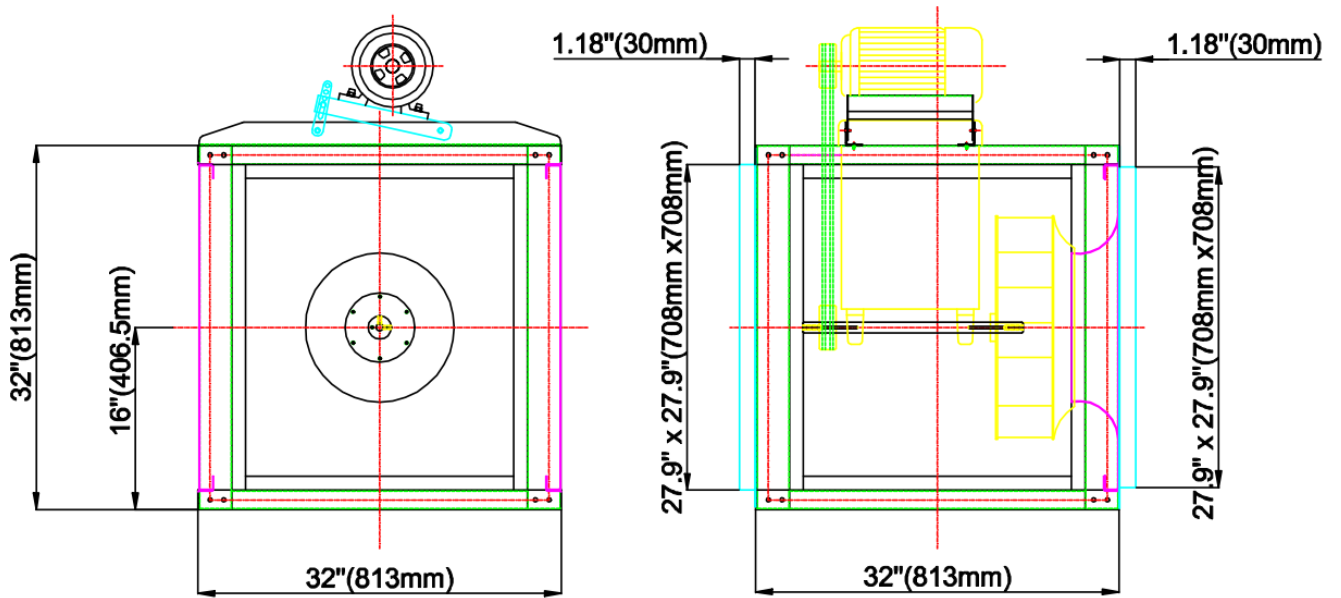
		Static Pressure in Inches wg										
Motor HP	Fan RPM		0.500	0.750	1.000	1.250	1.500	1.750	2.000	2.500	3.000	3.500
1/2	800	CFM	2352	2018								
		BHP	0.44	0.45								
		Sones	10.9	10								
	1063	CFM	2636	2364	1984							
		BHP	0.55	0.57	0.56							
		Sones	12.1	11.2	10.5							
3/4	1146	CFM	2907	2672	2379	1951						
		BHP	0.67	0.7	0.71	0.69						
		Sones	13.4	12.6	11.7	10.9						
	1229	CFM	3169	2964	2724	2406	1945					
		BHP	0.81	0.85	0.87	0.87	0.82					
		Sones	14.7	14.1	13.2	12.4	11.4					
1	1312	CFM	3428	3247	3032	2782	2458	1513				
		BHP	0.98	1.02	1.05	1.06	1.05	0.83				
		Sones	16.3	15.7	14.8	14	13.1	11				
1 1/2	1395	CFM	3681	3518	3328	3116	2857	2537				
		BHP	1.15	1.2	1.24	1.26	1.27	1.26				
		Sones	18	17.4	16.6	15.6	14.8	14				
	1478	CFM	3931	3782	3614	3423	3212	2944	2622			
		BHP	1.35	1.41	1.45	1.49	1.51	1.5	1.48			
		Sones	19.9	19.1	18.6	17.6	16.8	15.9	15			
2	1561	CFM	4180	4043	3893	3718	3528	3312	3049			
		BHP	1.57	1.64	1.69	1.73	1.76	1.77	1.77			
		Sones	22	21	20	19.7	18.9	18.2	17.3			
	1644	CFM	4425	4298	4158	4003	3833	3648	3429	2859		
		BHP	1.81	1.89	1.95	1.99	2.03	2.06	2.07	2.01		
		Sones	24	23	23	22	21	21	19.7	17.9		
3	1727	CFM	4669	4550	4421	4285	4125	3956	3780	3308	2100	
		BHP	2.08	2.16	2.23	2.29	2.33	2.36	2.39	2.38	1.94	
		Sones	27	26	25	24	24	23	23	21	16.9	
	1893	CFM	5155	5050	4938	4816	4691	4545	4396	4058	3620	3006
		BHP	2.7	2.78	2.88	2.95	3	3.05	3.09	3.14	3.12	2.96
		Sones	33	32	31	30	30	29	29	28	26	23

CHA Square Inline Fan

CHA-DS-18HBS-A-V-Q



CHA-DS-18HBS-C-K-Q



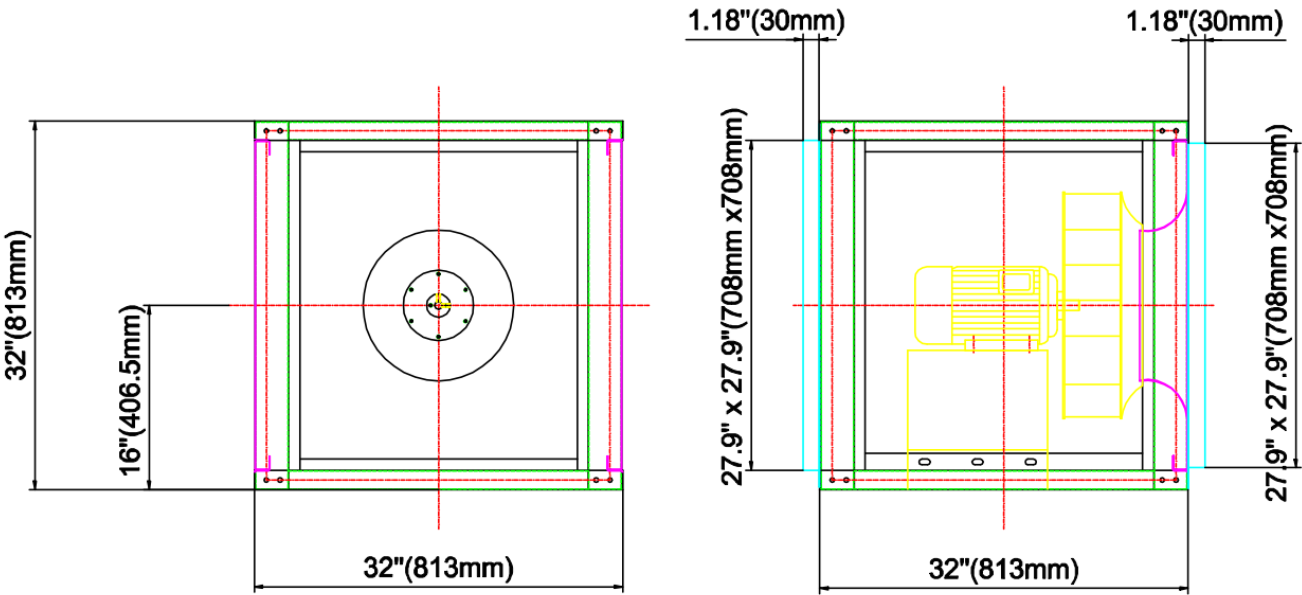
CHA Square Inline Fan

CHA-DS-18HBS - Performance Data

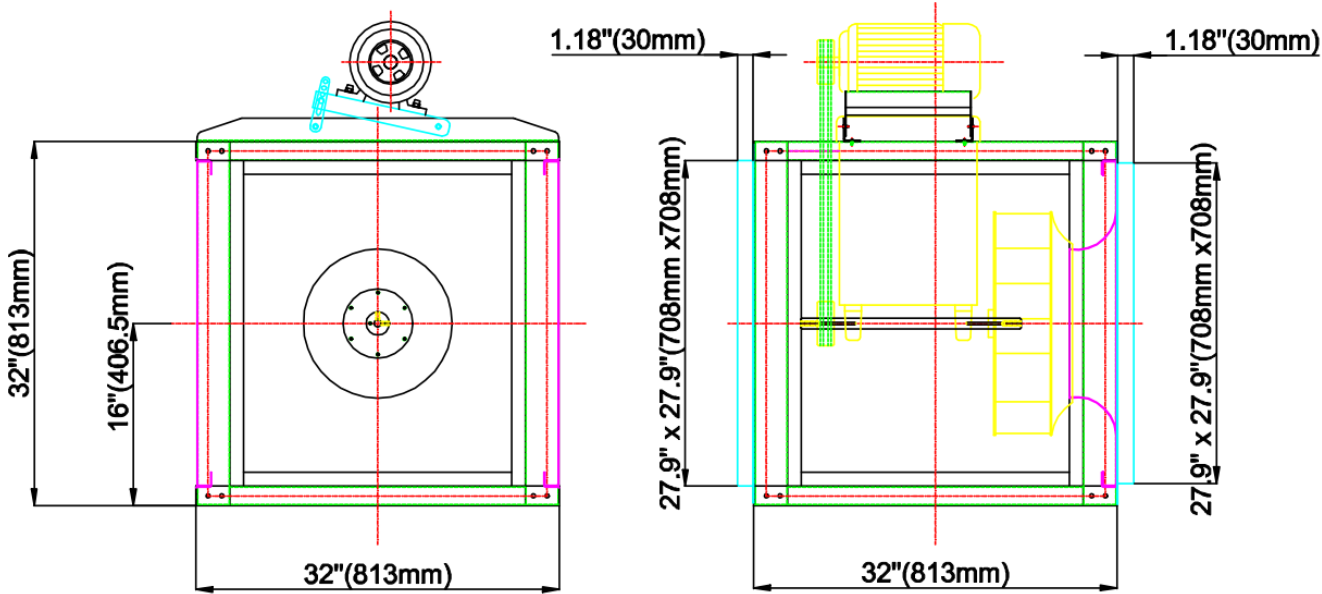
Static Pressure in Inches wg												
Motor HP	Fan RPM		0.125	0.250	0.500	0.750	0.875	1.000	1.250	1.500	1.750	2.000
1/3	580	CFM	2960	2616								
		BHP	0.25	0.26								
		Sones	11.1	10.6								
	640	CFM	3315	3018	2042							
		BHP	0.33	0.34	0.33							
		Sones	11.7	11.2	10.5							
1/2	736	CFM	3867	3624	3036							
		BHP	0.49	0.5	0.52							
		Sones	12.7	12	11.7							
3/4	791	CFM	4179	3959	3442	2563						
		BHP	0.6	0.62	0.64	0.62						
		Sones	13.4	12.8	12.3	13						
	845	CFM	4484	4285	3812	3239	2516					
		BHP	0.73	0.75	0.77	0.79	0.72					
		Sones	14.1	13.7	13.1	13	13.9					
1	932	CFM	4972	4796	4391	3916	3646	3203				
		BHP	0.96	0.99	1.01	1.04	1.05	1.03				
		Sones	15.7	15.5	15.1	14.9	14.5	14.4				
1 1/2	1070	CFM	5741	5587	5253	4874	4672	4452	3878			
		BHP	1.43	1.47	1.51	1.53	1.55	1.56	1.56			
		Sones	19.1	18.9	18.7	18.5	18.6	18.7	17.3			
2	1125	CFM	6046	5899	5588	5240	5047	4855	4413	3580		
		BHP	1.66	1.69	1.74	1.77	1.79	1.81	1.82	1.73		
		Sones	21	20	20	20	20	20	19.2	18.6		
	1180	CFM	6350	6210	5920	5597	5416	5233	4836	4316		
		BHP	1.9	1.94	2	2.02	2.04	2.06	2.09	2.08		
		Sones	22	22	21	21	21	21	21	19.8		
3	1267	CFM	6830	6699	6439	6138	5988	5818	5475	5088	4557	
		BHP	2.34	2.38	2.46	2.49	2.5	2.52	2.56	2.58	2.56	
		Sones	25	24	24	24	23	23	23	23	22	
	1355	CFM	7314	7192	6948	6677	6537	6396	6076	5753	5379	4862
		BHP	2.85	2.89	2.98	3.02	3.03	3.05	3.09	3.14	3.15	3.13
		Sones	27	27	26	26	26	26	26	25	25	24

CHA Square Inline Fan

CHA-DS-18BS-A-V-Q



CHA-DS-18BS-C-K-Q



CKS FangYuan Industry has the right to change the engineering data, design and dimension without prior notice

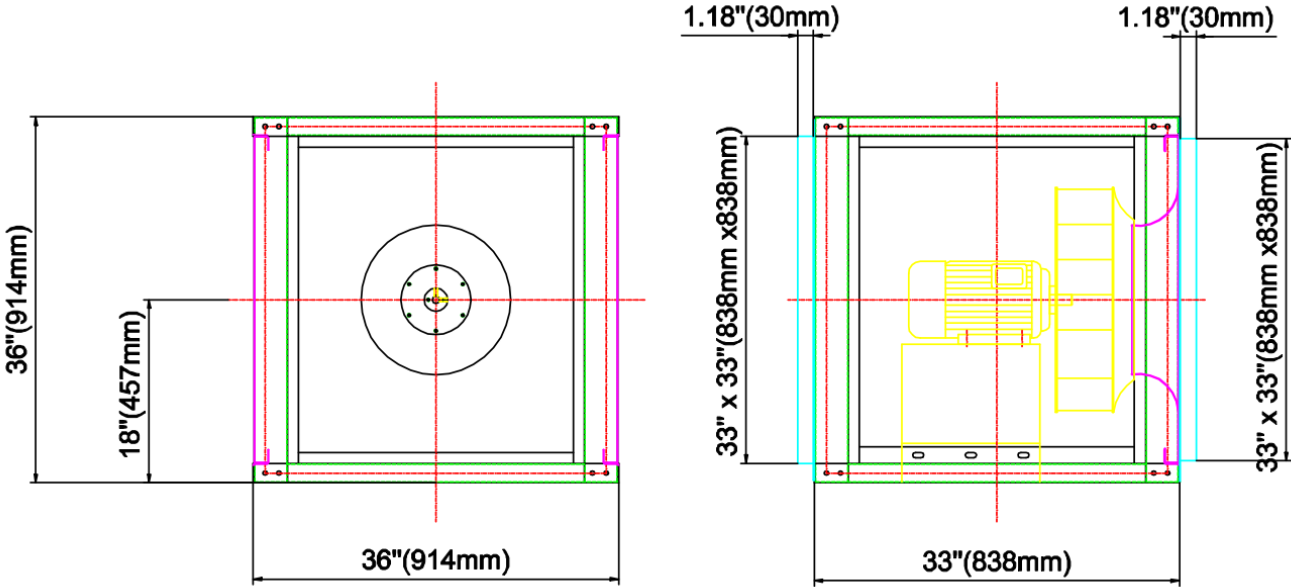
CHA Square Inline Fan

CHA-DS-18BS - Performance Data

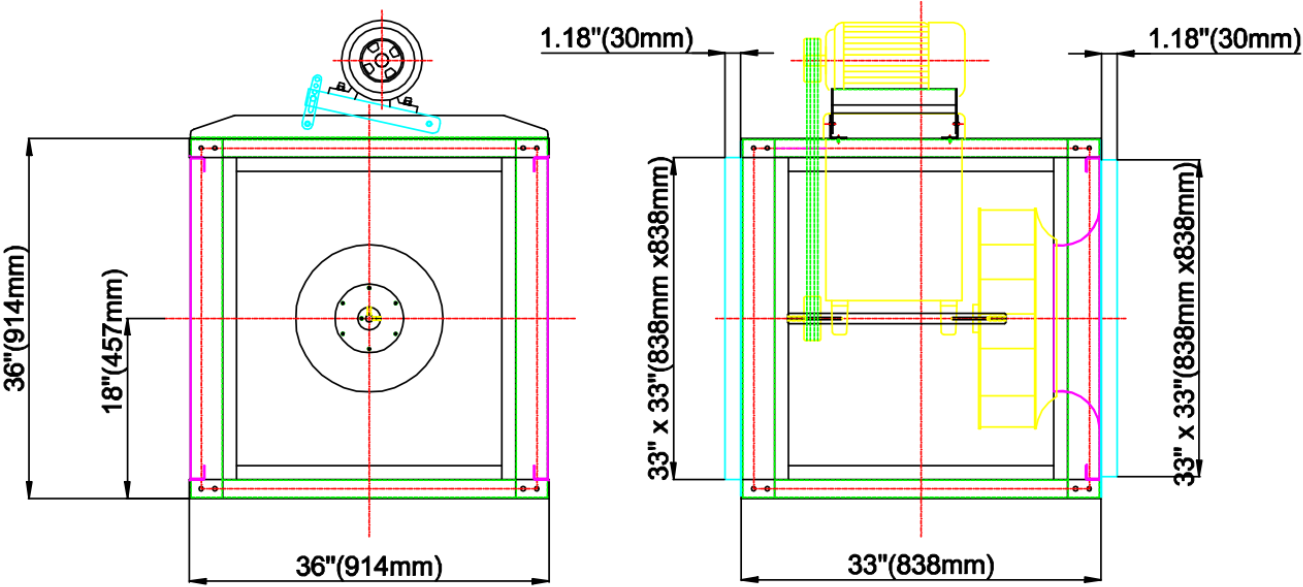
		Static Pressure in Inches wg										
Motor HP	Fan RPM		0.500	0.750	1.000	1.250	1.500	1.750	2.000	2.250	2.500	3.000
1/2	830	CFM	2580	2037								
		BHP	0.47	0.47								
		Sones	12.3	11.6								
	860	CFM	2724	2258								
		BHP	0.51	0.52								
		Sones	12.8	12.3								
3/4	925	CFM	3032	2656	1943							
		BHP	0.63	0.65	0.61							
		Sones	14.2	14.1	12.4							
	989	CFM	3327	3003	2556							
		BHP	0.76	0.78	0.78							
		Sones	15.6	15.9	14.7							
1	1091	CFM	3787	3495	3179	2732						
		BHP	1	1.03	1.05	1.04						
		Sones	16.9	17.4	16.9	15.3						
1 1/2	1171	CFM	4129	3870	3594	3263	2760					
		BHP	1.22	1.26	1.28	1.29	1.27					
		Sones	17.9	18	18.9	17.2	15.7					
	1251	CFM	4466	4235	3979	3716	3379	3808				
		BHP	1.47	1.51	1.55	1.57	1.57	1.52				
		Sones	18.8	18.9	21	19.8	17.5	16.2				
2	1315	CFM	4733	4523	4282	4035	3748	3382	2732			
		BHP	1.69	1.74	1.78	1.81	1.82	1.81	1.72			
		Sones	19.7	19.9	21	22	19.6	17.7	16.5			
	1379	CFM	4998	4803	4578	4344	4108	3802	3409	2702		
		BHP	1.93	1.99	2.03	2.07	2.09	2.09	2.08	1.95		
		Sones	21	21	21	24	22	19.5	18.1	17		
3	1447	CFM	5277	5092	4888	4667	4442	4190	3898	3473	2724	
		BHP	2.22	2.28	2.33	2.37	2.4	2.42	2.42	2.39	2.22	
		Sones	23	22	22	24	25	22	19.6	18.7	17.6	
	1582	CFM	5823	5659	5489	5291	5089	4883	4669	4401	4089	2894
		BHP	2.86	2.93	3	3.04	3.08	3.12	3.15	3.15	3.14	2.86
		Sones	26	26	25	25	27	27	25	23	22	20

CHA Square Inline Fan

CHA-DS-20HBS-A-V-Q



CHA-DS-20HBS-C-K-Q



CKS FangYuan Industry has the right to change the engineering data, design and dimension without prior notice

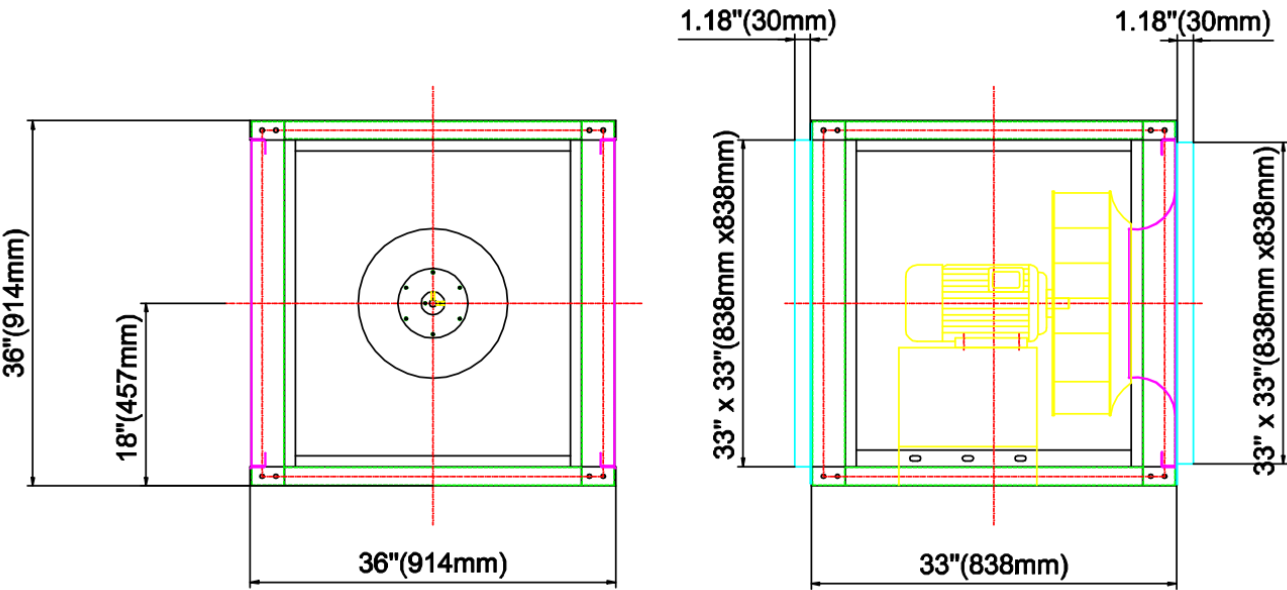
CHA Square Inline Fan

CHA-DS-20HBS - Performance Data

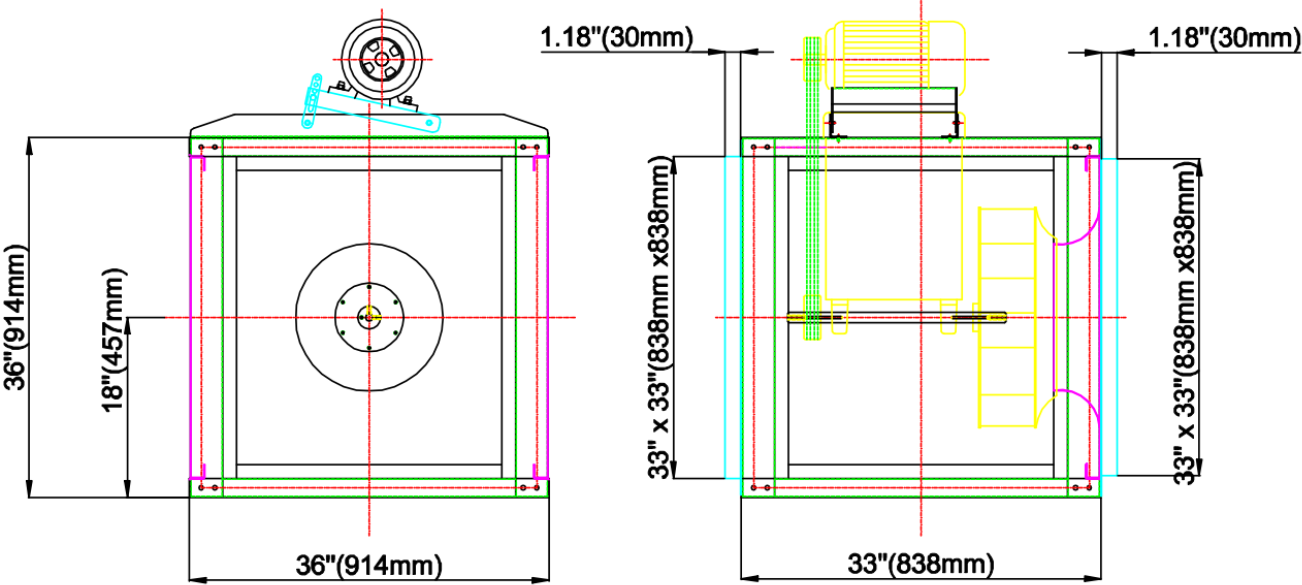
Static Pressure in Inches wg												
Motor HP	Fan RPM		0.125	0.250	0.500	0.750	1.000	1.250	1.500	1.750	2.000	2.500
1/2	550	CFM	4518	4001								
		BHP	0.33	0.35								
		Sones	10.7	10.2								
	616	CFM	5269	4833	3685							
		BHP	0.48	0.51	0.51							
		Sones	12.3	11.8	10.8							
3/4	713	CFM	6132	5768	4946							
		BHP	0.7	0.74	0.78							
		Sones	14.3	13.9	12.9							
1	752	CFM	6475	6135	5368	4273						
		BHP	0.81	0.85	0.9	0.89						
		Sones	15.2	14.9	13.8	12.6						
	788	CFM	6816	6498	5782	4884						
		BHP	0.93	0.97	1.03	1.03						
		Sones	16.2	15.9	14.9	13.6						
1 1/2	908	CFM	7935	7680	7086	6425	5604					
		BHP	1.41	1.45	1.54	1.59	1.58					
		Sones	19.5	19.5	18.7	17.4	16.2					
2	993	CFM	8720	8448	7960	7384	6756	5889				
		BHP	1.83	1.88	1.97	2.05	2.09	2.05				
		Sones	22	22	22	20	18.9	17.9				
3	1065	CFM	9390	9174	8695	8176	7612	6962	6075			
		BHP	2.25	2.31	2.41	2.5	2.56	2.57	2.52			
		Sones	25	24	24	23	21	20	19.4			
	1137	CFM	10048	9845	9409	8936	8421	7881	7219	6268		
		BHP	2.73	2.79	2.9	3.01	3.08	3.14	3.11	3.03		
		Sones	28	27	27	26	23	22	22	21		
5	1207	CFM	10694	10503	10105	9660	9192	8695	8160	7510	6481	
		BHP	3.26	3.32	3.44	3.56	3.65	3.72	3.76	3.72	3.58	
		Sones	31	31	30	29	26	24	24	23	22	
	1347	CFM	11973	11802	11460	11070	10671	10245	9804	9345	8797	7124
		BHP	4.5	4.58	4.72	4.84	4.97	5.07	5.16	5.22	5.2	4.95
		Sones	41	40	38	37	34	31	28	28	28	28

CHA Square Inline Fan

CHA-DS-20BS-A-V-Q



CHA-DS-20BS-C-K-Q



CHA Square Inline Fan

CHA-DS-20BS - Performance Data

		Static Pressure in Inches wg										
Motor HP	Fan RPM		0.500	0.750	1.000	1.250	1.500	2.000	2.500	3.000	3.500	4.000
1	760	CFM	4321	3791	2789							
		BHP	0.88	0.9	0.83							
		Sones	14.4	14	13.5							
	800	CFM	4643	4149	4392							
		BHP	1.01	1.04	1.03							
		Sones	15.2	14.8	14.3							
1 1/2	919	CFM	5552	5159	4721	4161						
		BHP	1.48	1.54	1.57	1.55						
		Sones	18.1	17.3	16.8	16.3						
2	966	CFM	5903	5541	5135	4693	4013					
		BHP	1.69	1.76	1.81	1.82	1.76					
		Sones	19.2	18.2	17.9	17.5	17					
	1013	CFM	6251	5909	5533	5128	4609					
		BHP	1.93	2.01	2.07	2.09	2.07					
		Sones	20	19.3	18.9	18.6	18.2					
3	1163	CFM	7336	7046	6747	6419	6073	5209				
		BHP	2.85	2.94	3.02	3.09	3.13	3.1				
		Sones	25	24	22	22	22	21				
5	1236	CFM	7843	7589	7307	7016	6700	6030	4920			
		BHP	3.37	3.48	3.57	3.65	3.72	3.77	3.59			
		Sones	27	26	25	24	23	22	22			
	1309	CFM	8346	8125	7859	7593	7304	6686	5897			
		BHP	3.96	4.09	4.18	4.28	4.35	4.44	4.4			
		Sones	30	28	27	26	25	24	23			
	1382	CFM	8848	8657	8405	8152	7897	7327	6721	5790		
		BHP	4.61	4.76	4.86	4.96	5.06	5.2	5.24	5.09		
		Sones	33	31	30	29	27	25	25	24		
7 1/2	1450	CFM	9313	9132	8908	8667	8427	7901	7334	6622	5565	
		BHP	5.28	5.44	5.57	5.67	5.77	5.94	6.02	5.97	5.7	
		Sones	36	34	32	32	31	27	26	25	24	
	1585	CFM	10232	10066	9896	9675	9455	9007	8512	7987	7348	6474
		BHP	6.8	6.98	7.16	7.27	7.38	7.6	7.78	7.84	7.8	7.57
		Sones	43	42	39	38	38	34	30	29	28	27

CHA Notes

- Please check all the parts of the body in details and make sure whether there is damage inside or not. It is because the fan may be damage during the transportation. If any, it should be repaired before it install
- The motor and impeller should connect properly, and its protection level is IP54, insulation class is F.
- Please do check the fan and duct, and ensure that there are no obstructions to hinder the rotation. If any, it should be cleared before starting
- Running in a given value and the fan should be rotate in a given direction
- If any unexpected sound and strenuous vibration occurred, please switch off the blower and repair the breakdown before it use.
- The fan cannot bear the weight of duct and it needs to provide an extra bearing frame to bearing.

General Questions

Did not rotate

- Wrong Voltage
- Power shut down or wrong wiring
- Overload protection
- Fuse burn-out.
- Loose of pulley.
- Failure of belt

Limited Air Volume

- Wrong rotate direction.
- The real air speed is lower than expected
- Static pressure is too much
- Restricted Inlet or Outlet
- Blocked Inlet or Outlet

Too much Air Volume

- The real air speed is higher than expected
- Static pressure is too less
- The blower is not installed in the right position

Company Introduction

CKS FangYuan Industry is China based business owned and operated by its management team. We specialize in air movement and have experience gained more than ten years of operation with worldwide predecessors. We service the ventilation equipment needs of customers ranging from HVAC through mining, manufacturing, construction, and agriculture as well as retail end users include Tianjin and Suzhou retail stores. We build our products in state of the art facilities in Guangzhou, WuHan and DeQing. We adapt ISO9001 quality system to ensure our customers are using best products.

Capabilities and Services

1. Fan and Blower design and manufacture
2. Fully performance tested products and published data
3. In-house design engineering team
4. Scale and capacity to handle any size project
5. Servicing overseas markets with built products and OEM supply
6. Sales and after sales support teams



Guangzhou

Tel: +86 (020) 87481162

Fax: +86 (020) 87481612

China

Certification:



国家防爆



Guangzhou AoZhong Fan Equipment Co.,LTD

