

Guangzhou AoZhong Fan Equipment Co.,LTD

**CKS FangYuan Industry**



**TSK**  
**Inline Duct Fan**

CKS Fang Yuan Industry inline duct fans are designed to provide efficient and reliable operation for commercial and extractive industry. Our products are manufactured with state-of-the-art laser, forming, spinning and welding equipment and ensure our quality control testing to ensure trouble free start-up. Our inline duct fans are including industry leading design features to ensure your ventilation equipment has the latest technologies available.

Main features with TSK inline duct fan,

- All Mold design construction. Corrosion resistant and baked powder coatings.
- The impeller is backward, centrifugal efficiency axial outlet.
- The fan is compact, so it is easy to installation and repair.
- It is designed for direct connection in line with standard diameter circular ducting.
- Single-phase asynchronous external rotor motor applied; Low noise.
- It is used to ventilate in factory and the building.

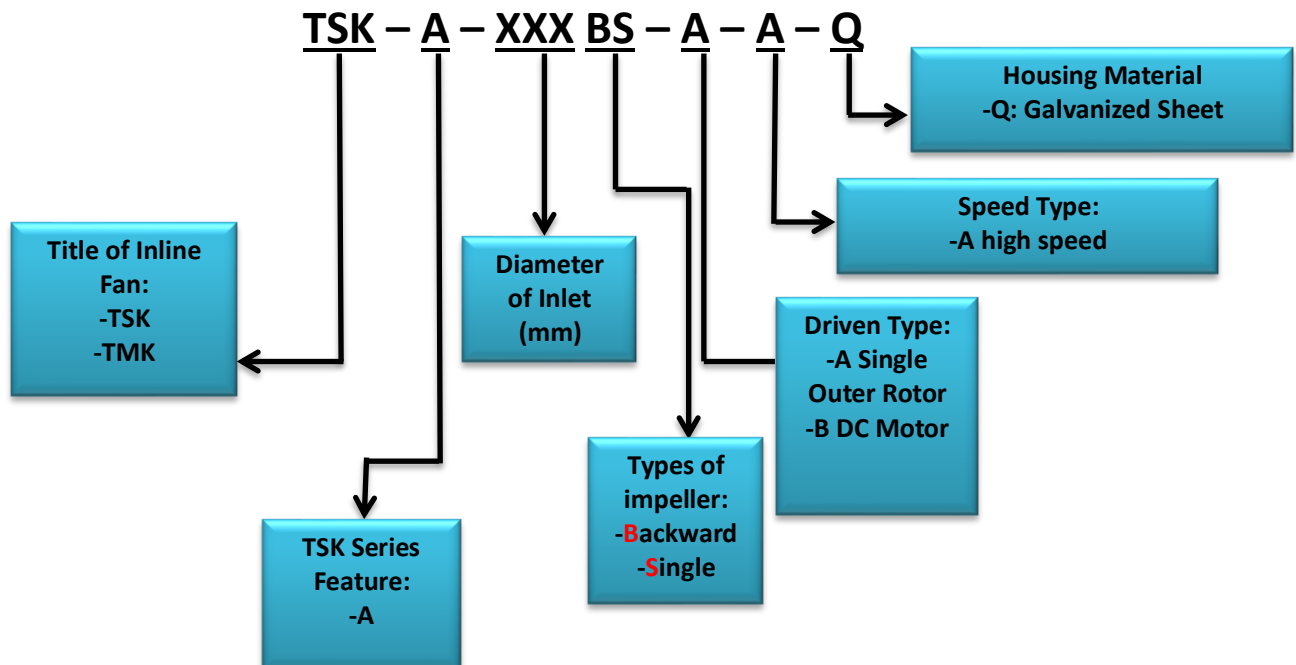


Every TSK has been test for three different planes before package. Typical application include:

- Stairwell Pressurization
- Hydroponic grown farm
- Low noise Industry
- Agricultural area

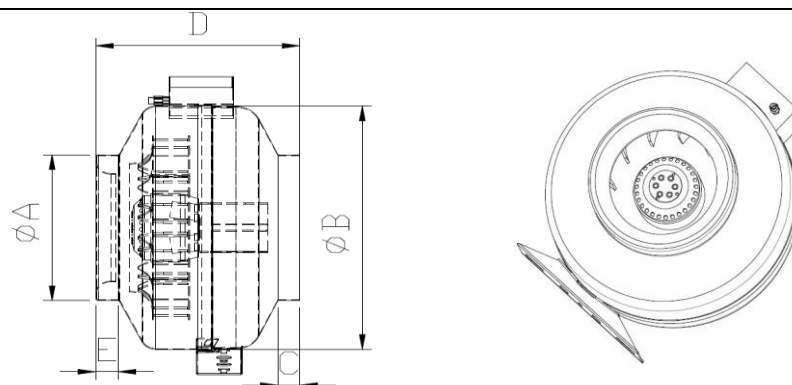
Engineers in Guangzhou AoZhong Fan Equipment Co.,LTD can assist you in improving the operational efficiency of the air movement in your system.

## Inline Duct Fan Model Number Code:



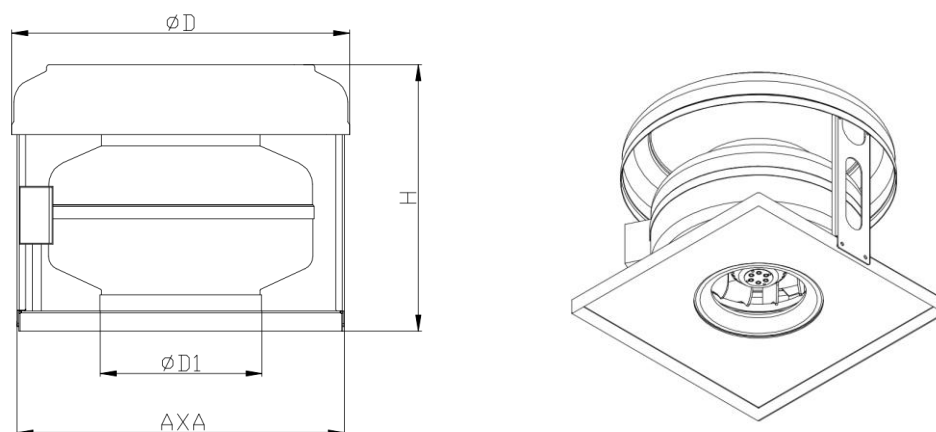
# TSK Dimension

## TSK-A Series



Model	ØA	ØB	C	D	E
TSK-A-100BS (4")	98mm (4")	243mm (9.6")	23mm (0.9")	196mm (7.7")	23mm (0.9")
TSK-A-125BS (5")	123mm (5")	243mm (9.6")	27mm (1.1")	196mm (7.7")	27mm (1.1")
TSK-A-150BS (6")	148mm (6")	333mm (13.1")	28mm (1.1")	222mm (8.7")	28mm (1.1")
TSK-A-160BS (6.3")	158mm (6.3")	333mm (13.1")	28mm (1.1")	222mm (8.7")	28mm (1.1")
TSK-A-200BS (8")	198mm (8")	333mm (13.1")	25mm (1")	223mm (8.7")	25mm (1")
TSK-A-250BS (10")	248mm (10")	333mm (13.1")	27mm (1.1")	206mm (8.1")	27mm (1.1")
TSK-A-315BS (12")	313mm (12")	401mm (15.8")	25mm (1.1")	230mm (9.1")	25mm (1.1")
TSK-A-355BS (14")	353mm (14")	500mm (19.7")	25mm (1")	410mm (16.1")	25mm (1")
TSK-A-400BS (16")	398mm (16")	500mm (19.7")	27mm (1.1")	410mm (16.1")	27mm (1.1")

## TSK-F Series



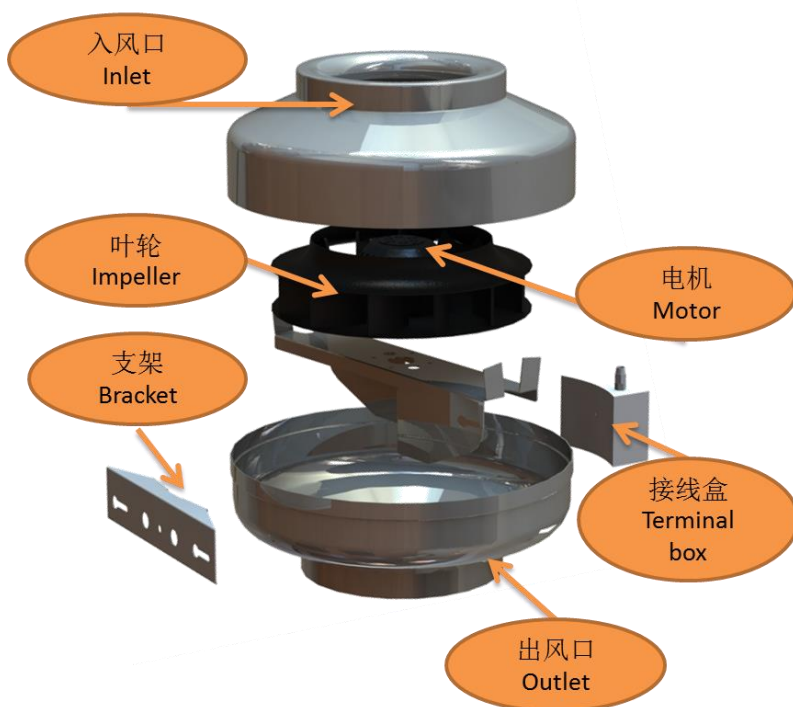
Model	ØD	ØD1	H	A X A
TSK-F-150BS (6")	400mm (15.7")	160mm (6")	300mm (11.8")	400mm x 400mm (15.7" x 15.7")
TSK-F-200BS (8")	400mm (15.7")	200mm (8")	300mm (11.8")	400mm x 400mm (15.7" x 15.7")
TSK-F-250BS (10")	400mm (15.7")	250mm (9")	300mm (11.8")	400mm x 400mm (15.7" x 15.7")

## TSK Construction Features

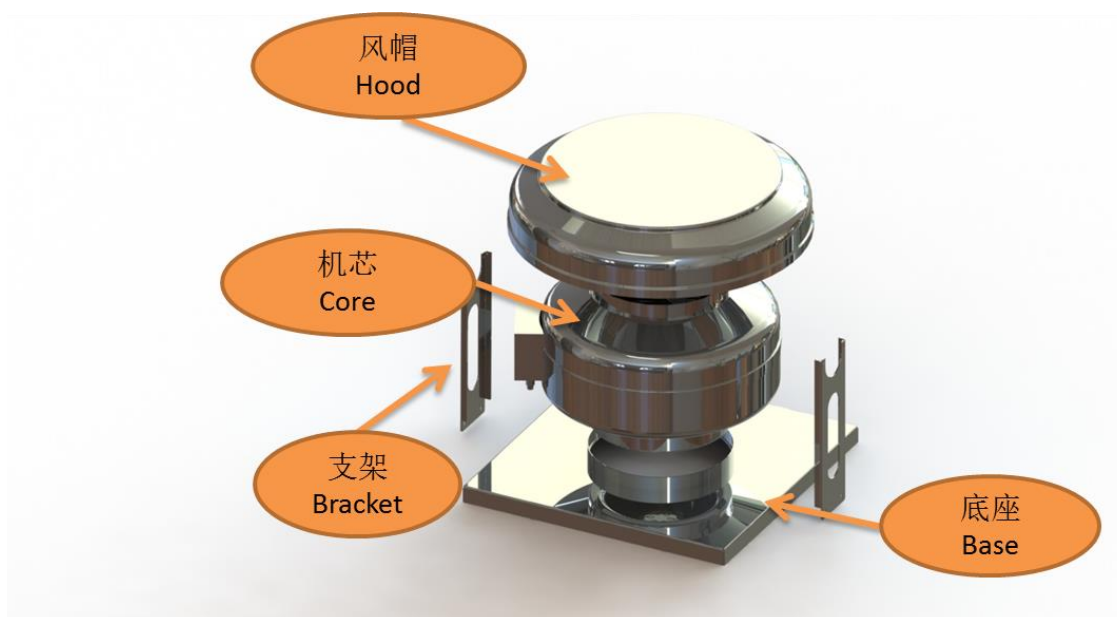
**Housings** are manufactured with galvanized sheet Q235. All steel surfaces are coated with industrial polyester urethanes by using electrostatic method.

**Impellers** are backward- curved impeller matches well with the metal housing to maximize the air flow and efficiency, and to minimize the noise level.

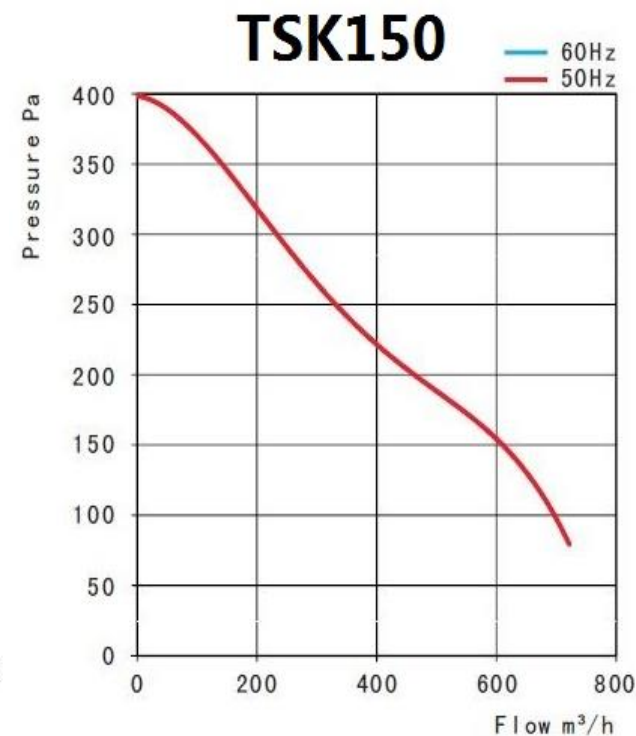
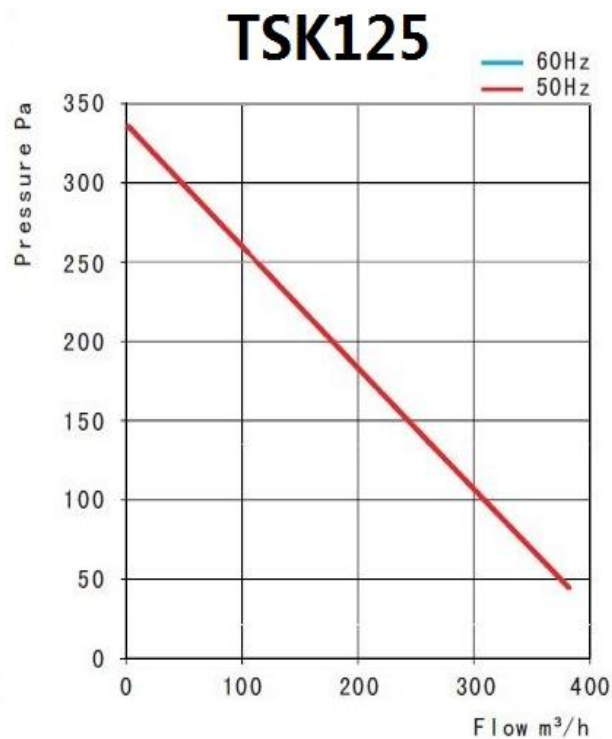
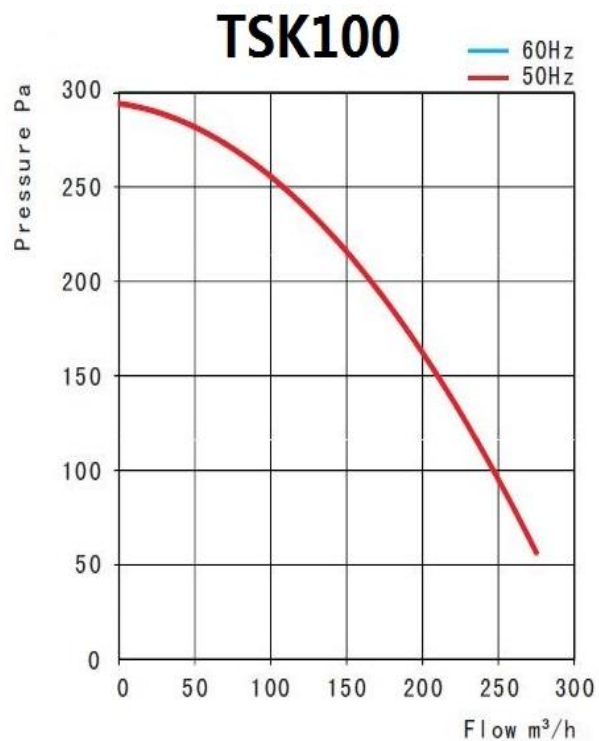
**Motors** are adopted by single- phrase asynchronous external rotor motor. The motor and impeller are direly pressed together by machine, so that can reduce the fan's cubage, stay stable performance with high efficiency and long durability.



**TSK-F** Hood and Base are makd by Gavalanized Steel. All design made by modeling machine.

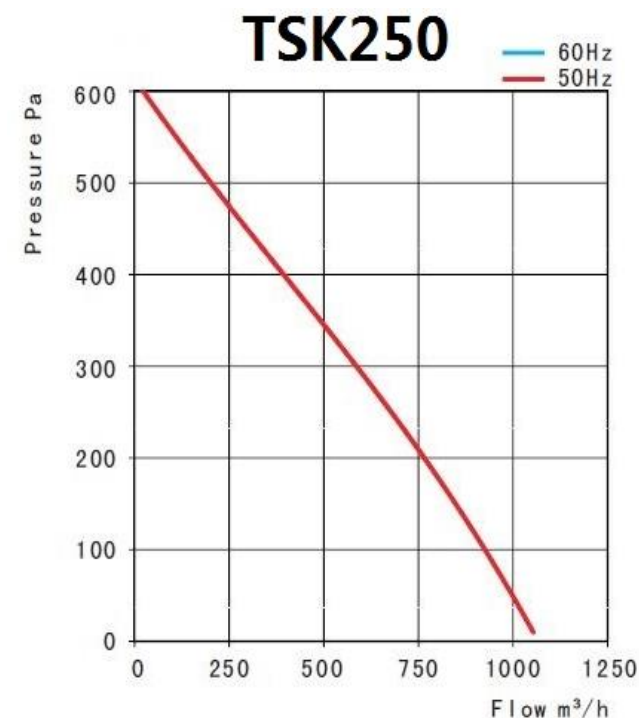
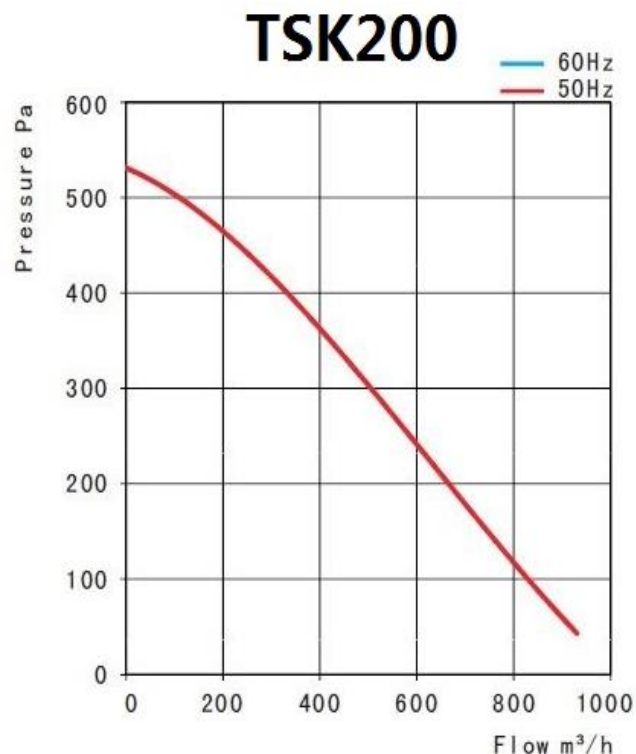
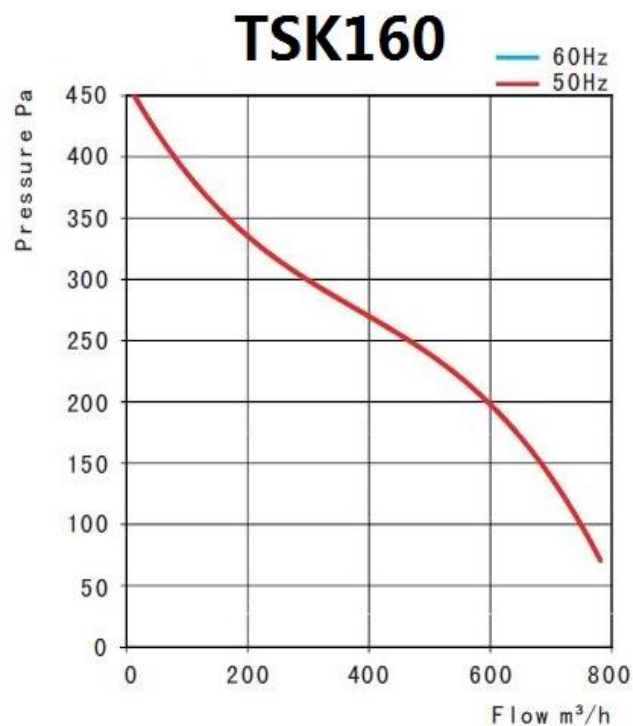


## TSK Series Performance



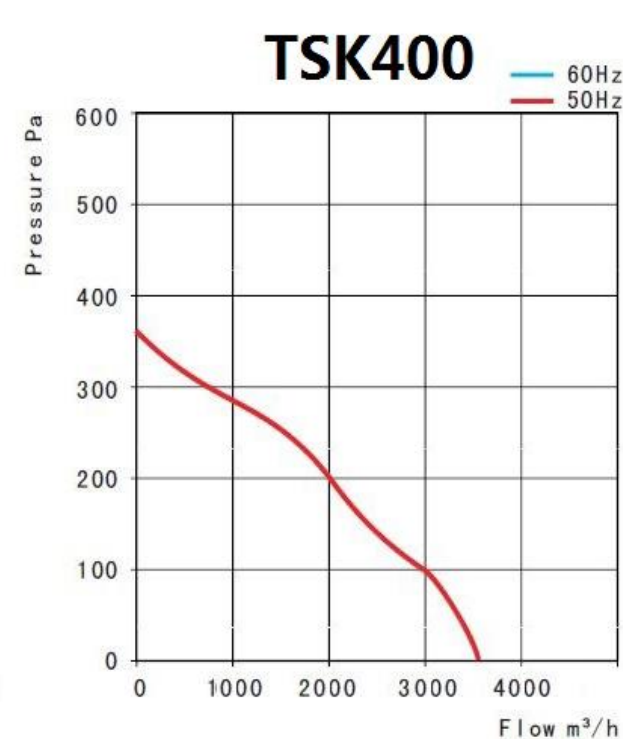
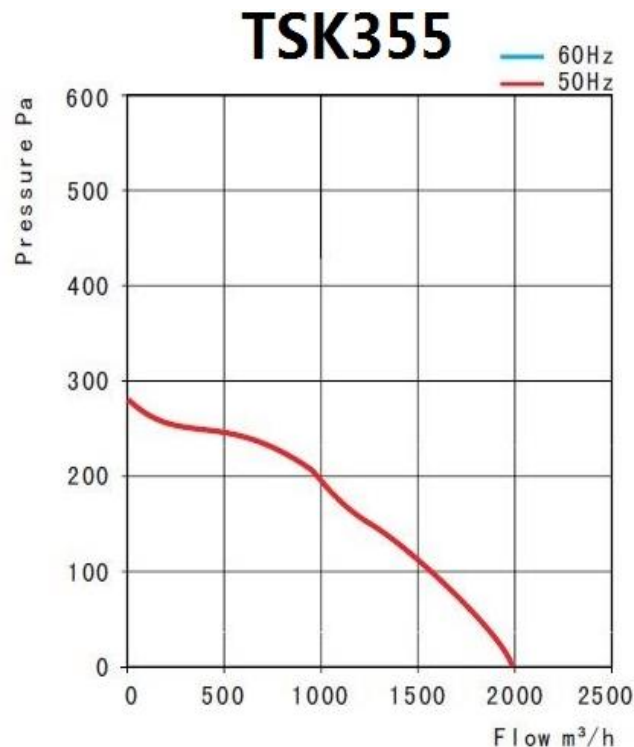
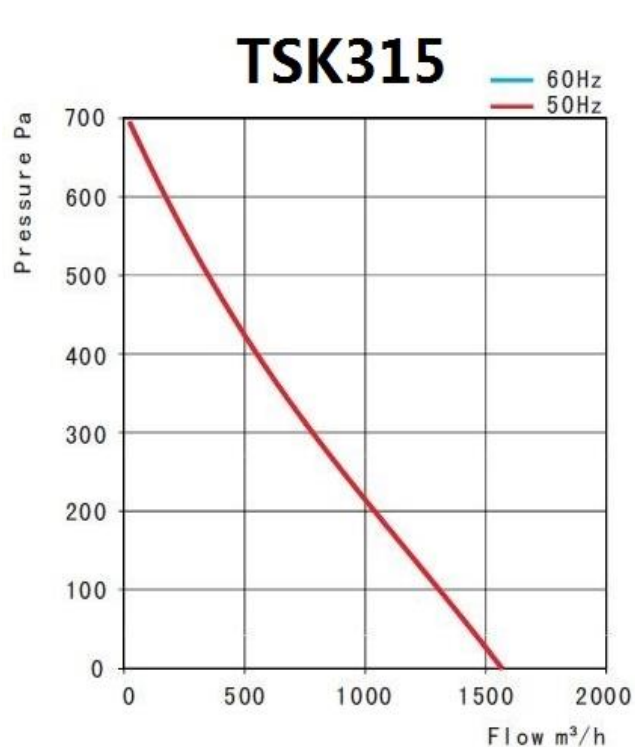
TSK	100	100	125	125	150	150
Voltage	220-240V/50Hz	110-120V/60Hz	220-240V/50Hz	110-120V/60Hz	220-240V/50Hz	110-120V/60Hz
Current	0.3A	0.8A	0.3A	0.85A	0.4A	0.97A
Power	68W	94W	75W	96W	89W	116W
Speed	2500rpm	2500rpm	2500rpm	2500rpm	2500rpm	2500rpm
Nosie	65dB	65dB	66dB	66dB	72dB	72dB
Insulation Class	F	F	F	F	F	F
IP Rating	IP44	IP44	IP44	IP44	IP44	IP44
Working Temperature	55° C	55° C	55° C	55° C	55° C	55° C

CKS Industry Technology has the right to change the engineering data, design and dimension without prior notice.



TSK	160	160	200	200	250	250
Voltage	220-240V/50Hz	110-120V/60Hz	220-240V/50Hz	110-120V/60Hz	220-240V/50Hz	110-120V/60Hz
Current	0.3A	0.97A	0.5A	1.34A	0.7A	1.9A
Power	85W	116W	127W	159W	168W	210W
Speed	2500rpm	2500rpm	2500rpm	2500rpm	2500rpm	2500rpm
Nosie	72dB	72dB	70dB	70dB	70dB	70dB
Insulation Class	F	F	F	F	F	F
IP Rating	IP44	IP44	IP44	IP44	IP44	IP44
Working Temperature	55° C	55° C	55° C	55° C	55° C	55° C

CKS Industry Technology has the right to change the engineering data, design and dimension without prior notice.



TSK	315	315	355	355	400	400
Voltage	220-240V/50Hz	110-120V/60Hz	220-240V/50Hz	110-120V/60Hz	220-240V/50Hz	110-120V/60Hz
Current	1.1A	2.1A	0.65A	2.3A	0.7A	2.3A
Power	223W	250W	145W	250W	168W	210W
Speed	2500rpm	2500rpm	1420	1550rpm	1580rpm	2500rpm
Nosie	75dB	75dB	59dB	59dB	60dB	60dB
Insulation Class	F	F	F	F	F	F
IP Rating	IP44	IP44	IP44	IP44	IP44	IP44
Working Temperature	55° C	55° C	55° C	55° C	55° C	55° C

CKS Industry Technology has the right to change the engineering data, design and dimension without prior notice.

## TSK Series Performance in CFM @ Inch W.G

Model	Speed RPM	CFM @ Static Pressure (S.P) Ins. W.G									Maximum S.P
		0"	0.125"	0.25"	0.375"	0.5"	0.75"	1.0"	1.25"	1.5"	
TSK-A-100BS (4")	2500rpm	168	156	143	132	122	106	88	\	\	1.15"
TSK-A-125BS (5")	2500rpm	212	195	175	153	135	110	76	13	\	1.30"
TSK-A-150BS (6")	2500rpm	409	385	357	328	299	245	202	160	116	1.50"
TSK-A-200BS (8")	2500rpm	598	566	534	490	456	396	343	300	262	2.10"
TSK-A-250BS (10")	2500rpm	618	595	570	540	510	450	390	340	297	2.20"
TSK-A-315BS (12")	2500rpm	942	905	859	811	762	622	508	440	390	2.70"

## Usage Description

1. The fan is mainly use in delivering the clean air without the place that with easy burning materials, explosive materials and powder
2. The fan is fed with external rotor machine and sealed ball bearing. It is free maintenance.
3. If the fan install in the damping and sobering area, continuous operation is required for the fan.
4. The fan can be installed in the outdoor or damp environment with drainage system.
5. All the fans are feeding with international standard motors, which are single phase 120V, 60Hz or 220V, 50Hz and three phases 380V, 50Hz
6. Installation is available in any areas

## Installation

1. Must be install according to the air flow marking
2. Must be connect to the piping or equip with safety accessories
3. Must be installing in a proper way and make sure the outlet is without any unusual materials.
4. Try to installing the fan as easy as for the maintenance purpose
5. Fan required flanges in order to avoid the piping damage when vibrated
6. Speed controller or transformer is available to connect to the fan
7. Wiring diagram is in the package.
8. Wiring must be strictly following the wiring diagram.
9. Electrical Installation must be done by professional technicians.
10. Electrical Installation must be connecting in the special control box.

## Operation

### Before operation, please make sure

1. The real maximum current cannot be exceed the National standard index:+5%.
2. The voltage pulsation is between +6% --+10%
3. No exceptional noise produce when operation.
4. The rotating direction for three phase motor is the same as the marking

## Maintenance

1. Before repair or maintenance the fan, please make sure the fan is stop and the fan is not working in overload condition
2. When disassemble the larger fan, please care for the weight to avoid blocking and scratching

3. Cleaning the fan once a year, so that it can keep the function and avoid the unnecessary damage.
4. Ball bearing is free maintenance except for the necessary updates.
5. When cleaning the fan, please do not use the high pressure washer or strong solvent, and do not take out the damaging impeller
6. Make sure the fan is operating without any noise

## Failure detection

1. Make sure the fan is in the load condition.
2. Verify the impeller is without block.
3. Please do check with the heat-variable switch and motor protector. If the switch is not in connected, please do check it. If its need to restart makes sure the power supply is cut off in a few minutes until the rated current is not higher than 1.6A. If the motor has the heat protector, it will automatically reset after cool down.
4. Make sure the capacitor is connected according to the wiring diagram.
5. Please change the capacitor at the first time when the fan is not work.
6. Please contact the distributor if the fan is still not work
7. When send back the fan to the distributor, please clean it and make sure the cables are

## Guarantee

The guarantee is valid only with the guideline of this manual.

## Noise level test method

1m/45° free zone, without connect the ducting noise data.



## Company Introduction

CKS FangYuan Industry is China based business owned and operated by its management team. We specialize in air movement and have experience gained more than ten years of operation with worldwide predecessors. We service the ventilation equipment needs of customers ranging from HVAC through mining, manufacturing, construction, and agriculture as well as retail end users include Tianjin and Suzhou retail stores. We build our products in state of the art facilities in Guangzhou, WuHan and DeQing. We adapt ISO9001 quality system to ensure our customers are using best products.

### Capabilities and Services

1. Fan and Blower design and manufacture
2. Fully performance tested products and published data
3. In-house design engineering team
4. Scale and capacity to handle any size project
5. Servicing overseas markets with built products and OEM supply
6. Sales and after sales support teams



**Guangzhou**

**Tel: +86 (020) 87481162**

**Fax: +86 (020) 87481612**

**China**

### Certification:



Guangzhou AoZhong Fan Equipment Co.,LTD

