

Ceiling Fan

■ Feature

- High exhaust performance
- Application of low-noise blades and high-efficiency motors
- Ease of installation
- Design with enhanced safety

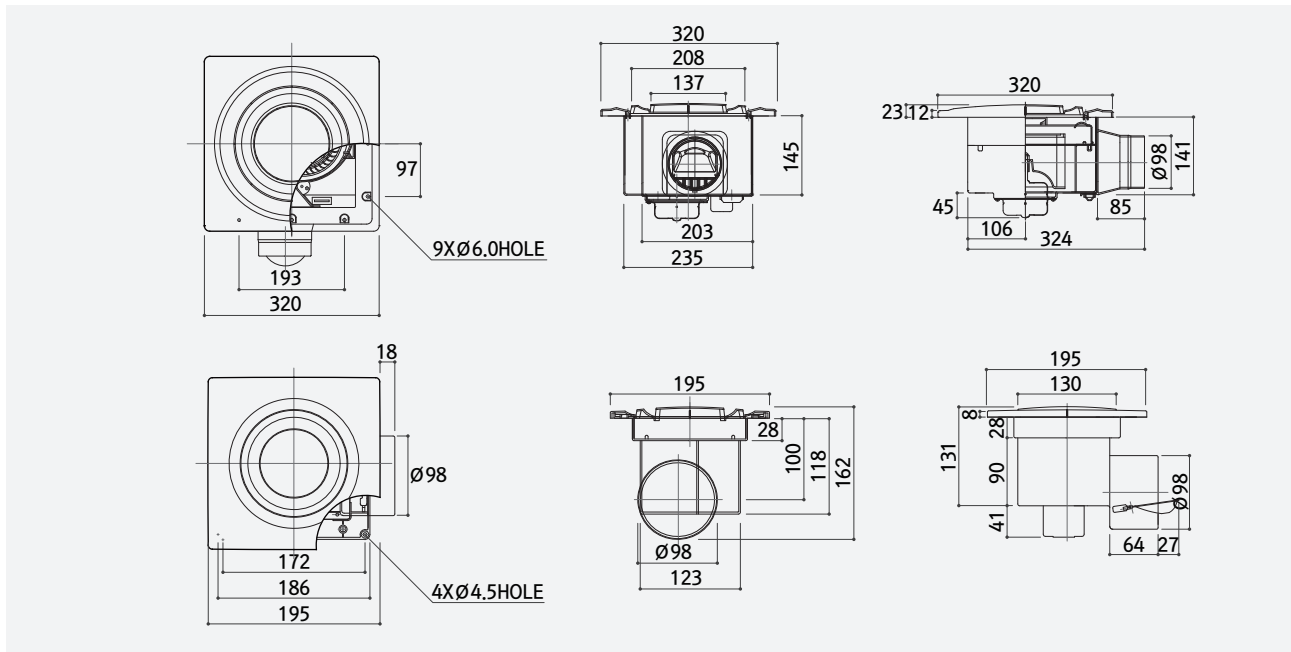
- Plastic casing
- Plastic impeller
- IP22 motor
- Class A insulation



■ Use

- Exhaust system for bathrooms, restrooms, smoking rooms, shopping centers, etc
- Exhaust system for buildings, offices, shopping centers, living rooms, etc

■ Drawing



■ Specification

MODEL No.	Max Air Volume (CMH)	Max Static pressure (Pa)	Phase (φ)	Volt (V)	Poles (P)	Input (W)	Ampere (A)	RPM	Noise (dB at 3m)	Weight (Kg)
DR-11DRB	110	60	1	220	2	11	0.07	2,090	23	0.6
DR-16DRZ	270	70			4	28	0.07	1,170	33	2.4

*The above data can be changed without notice for quality control.